



US0D1020714S

(12) **United States Design Patent**  
**Koch et al.**

(10) **Patent No.:** **US D1,020,714 S**

(45) **Date of Patent:** **\*\* Apr. 2, 2024**

- (54) **CASE FOR A MOBILE ELECTRONIC DEVICE**
- (71) Applicant: **Google LLC**, Mountain View, CA (US)
- (72) Inventors: **Christophe Koch**, Santa Cruz, CA (US); **Alberto Villarreal Bello**, Los Gatos, CA (US); **Jessica Sheung-yan Ng**, Mill Valley, CA (US); **Nicholas Gillet**, San Francisco, CA (US); **Anuja Gunwant Bagul**, San Carlos, CA (US); **Mark Zaveson**, Antioch, IL (US)
- (73) Assignee: **GOOGLE LLC**, Mountain View, CA (US)
- (\*\*) Term: **15 Years**

D903,647 S *	12/2020	Lin	.....	D14/250
D905,035 S *	12/2020	Debaigue	.....	D14/250
D905,676 S *	12/2020	Kim	.....	D14/250
D905,680 S *	12/2020	Kim	.....	D14/250
D906,316 S *	12/2020	Lee	.....	D14/250
D906,318 S *	12/2020	Kwon	.....	D14/250
D906,324 S *	12/2020	Kwon	.....	D14/250
D907,623 S *	1/2021	Kwon	.....	D14/250
D908,680 S *	1/2021	Kim	.....	D14/250
D909,359 S *	2/2021	Kim	.....	D14/250
D914,004 S *	3/2021	Lee	.....	D14/250
D926,746 S *	8/2021	Harry Puerta	.....	D14/250
D928,765 S *	8/2021	Harry Puerta	.....	D14/250
D932,479 S *	10/2021	Wright	.....	D14/250
D940,698 S *	1/2022	Qu	.....	D14/250
D949,138 S *	4/2022	Ng	.....	D14/250
D964,338 S *	9/2022	Baek	.....	D14/250
D967,083 S *	10/2022	Kim	.....	D14/250
D994,653 S *	8/2023	Malladi	.....	D14/250
D1,003,881 S *	11/2023	Kim	.....	D14/250

\* cited by examiner

*Primary Examiner* — L. A. Grabenstetter  
(74) *Attorney, Agent, or Firm* — LEASON ELLIS LLP

- (21) Appl. No.: **29/782,335**
- (22) Filed: **May 6, 2021**
- (51) **LOC (14) Cl.** ..... **14-03**
- (52) **U.S. Cl.** ..... **D14/250**
- (58) **Field of Classification Search**  
USPC ..... D3/201, 218, 247, 249, 269; D13/107, D13/108, 118, 119; D14/217, 248, D14/250–253, 432, 440  
CPC ..... H04B 1/3888; H04M 1/0283; H04M 1/0202; A45F 2005/028; A45F 2200/0525  
See application file for complete search history.

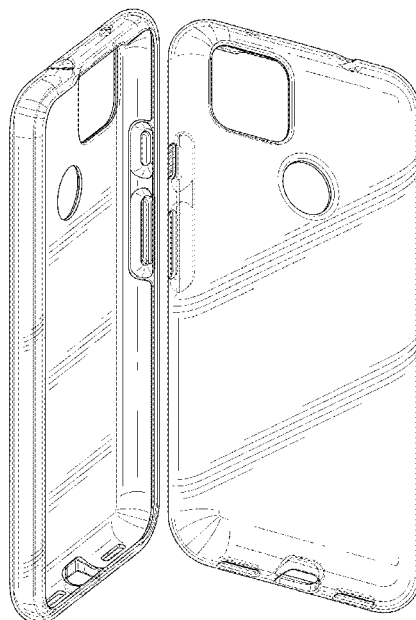
(57) **CLAIM**  
The ornamental design for a case for a mobile electronic device, as shown.

**DESCRIPTION**

FIG. 1 is a front perspective view of a case for a mobile electronic device according to our new design; FIG. 2 is a rear perspective view thereof; FIG. 3 is a front plan view thereof; FIG. 4 is a back plan view thereof; FIG. 5 is a right side view thereof; FIG. 6 is a left side view thereof; FIG. 7 is a top plan view thereof; and, FIG. 8 is a bottom plan view thereof.

**1 Claim, 6 Drawing Sheets**

- (56) **References Cited**  
U.S. PATENT DOCUMENTS  
D620,931 S \* 8/2010 Opman ..... D14/250  
D625,303 S \* 10/2010 Kim ..... D14/250  
D894,886 S \* 9/2020 Kim ..... D14/250  
D902,913 S \* 11/2020 Lee ..... D14/250



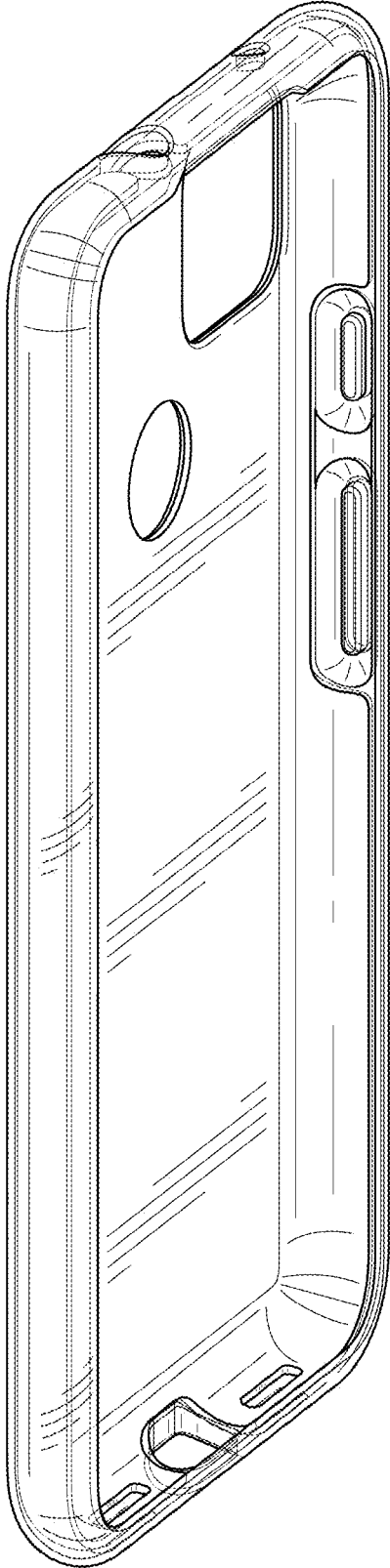


FIG. 1

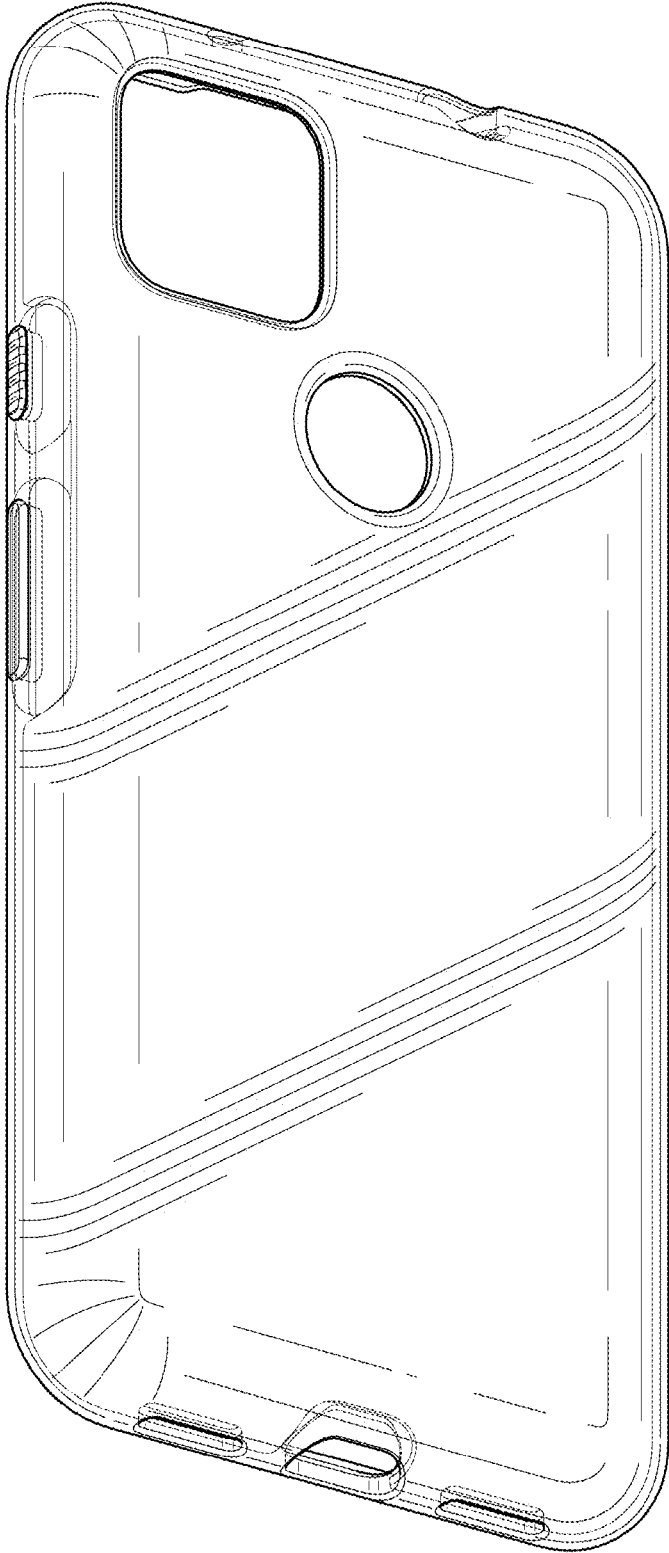


FIG. 2

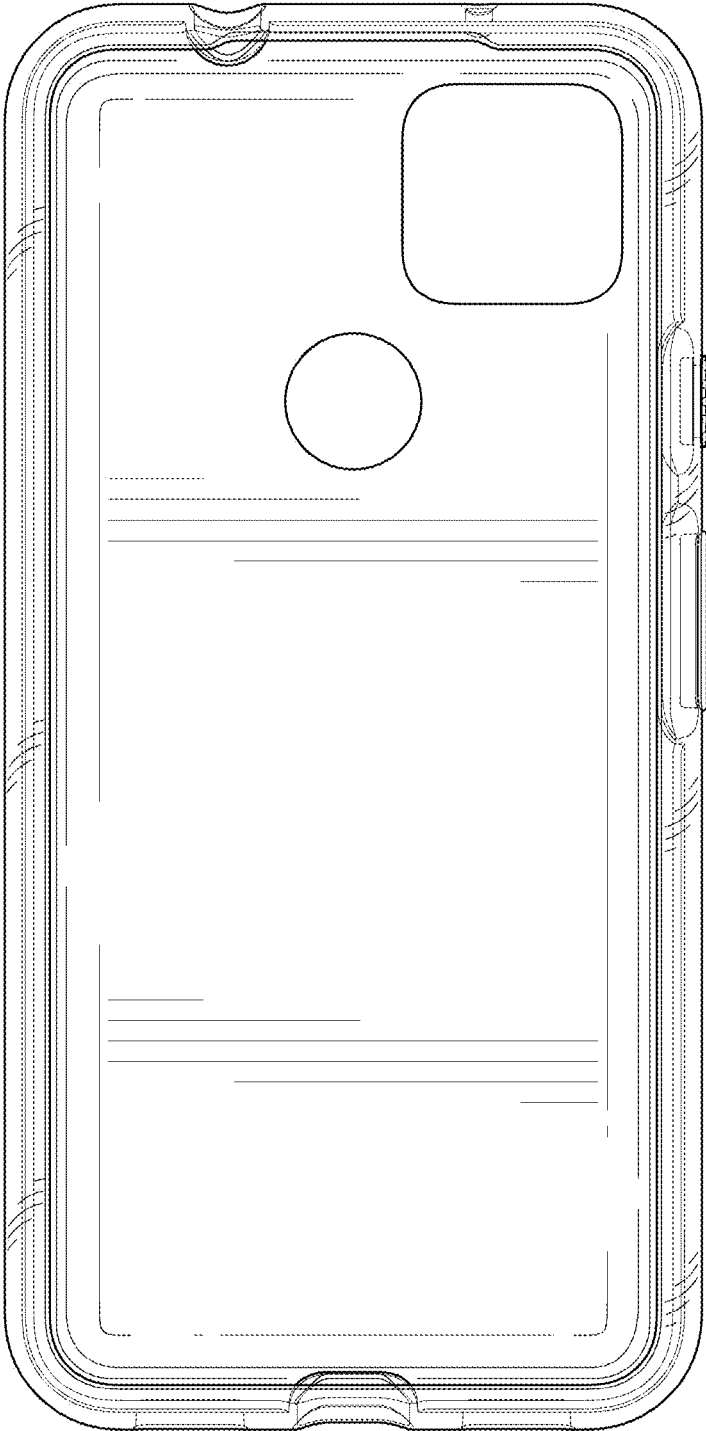


FIG. 3

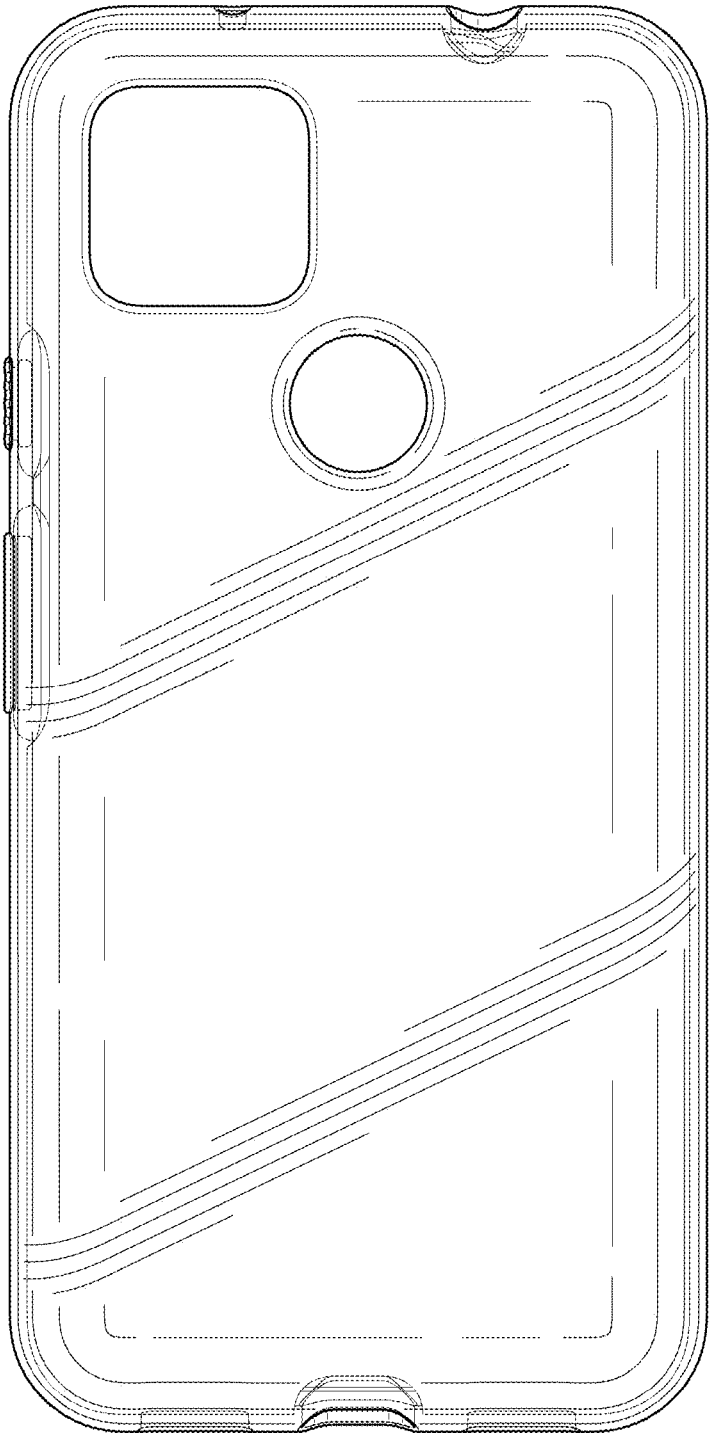


FIG. 4

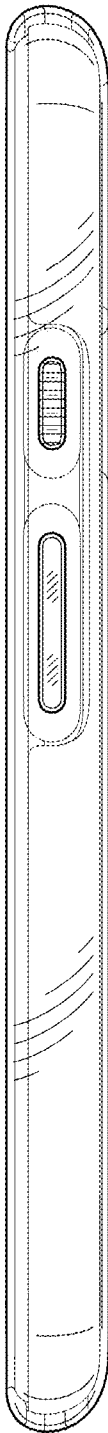


FIG. 5

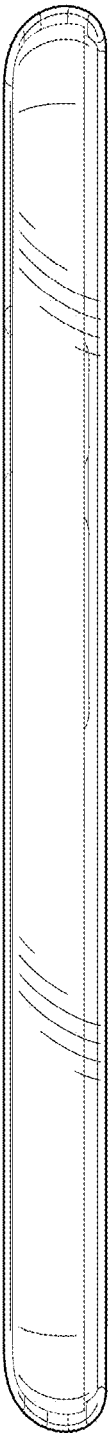


FIG. 6



FIG. 7

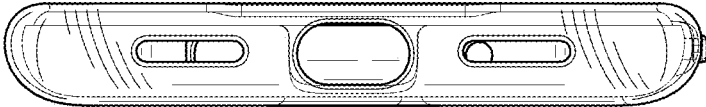


FIG. 8