



US00D807801S

(12) **United States Design Patent**
Piscitelli et al.

(10) **Patent No.:** **US D807,801 S**
(45) **Date of Patent:** **** Jan. 16, 2018**

- (54) **VEHICLE REAR BUMPER**
- (71) Applicants: **Chris Piscitelli**, West Bloomfield, MI (US); **Vincent J. Galante**, Lake Orion, MI (US)
- (72) Inventors: **Chris Piscitelli**, West Bloomfield, MI (US); **Vincent J. Galante**, Lake Orion, MI (US)
- (73) Assignee: **FCA US LLC**, Auburn Hills, MI (US)
- (**) Term: **15 Years**
- (21) Appl. No.: **29/594,859**
- (22) Filed: **Feb. 23, 2017**

D619,513	S	*	7/2010	Miyazawa	D12/169
D678,147	S	*	3/2013	Behmer	D12/169
D678,826	S	*	3/2013	Akamine	D12/169
D685,302	S	*	7/2013	Futschik	D12/169
D688,993	S	*	9/2013	Campbell	D12/169
D688,994	S	*	9/2013	Campbell	D12/169
D692,809	S	*	11/2013	Uchino	D12/169
D701,805	S	*	4/2014	Campbell	D12/169
D703,591	S	*	4/2014	Kwon	D12/169
D705,139	S	*	5/2014	Jevremovic	D12/169
D712,802	S	*	9/2014	Scheinhuette	D12/169
D713,766	S	*	9/2014	Katou	D12/169
D721,625	S	*	1/2015	George	D12/169
D721,993	S	*	2/2015	Nordmann	D12/169
D746,739	S	*	1/2016	Wolff	D12/169
D792,294	S	*	7/2017	McCabe	D12/169
D795,141	S	*	8/2017	Ikeda	D12/169

* cited by examiner

Primary Examiner — Melody N Brown
(74) *Attorney, Agent, or Firm* — Ralph E. Smith

Related U.S. Application Data

- (63) Continuation-in-part of application No. 29/568,731, filed on Jun. 21, 2016.
- (51) **LOC (11) Cl.** **12-16**
- (52) **U.S. Cl.** **D12/169**
USPC
- (58) **Field of Classification Search**
USPC D12/169, 216, 90-92, 86, 171, 196, 163;
293/102, 113, 115, 117, 120; 296/180.1,
296/180.2
CPC B60R 19/02; B60R 19/04; B62D 25/08
See application file for complete search history.

(57) **CLAIM**

The ornamental design for a vehicle rear bumper, as shown and described.

DESCRIPTION

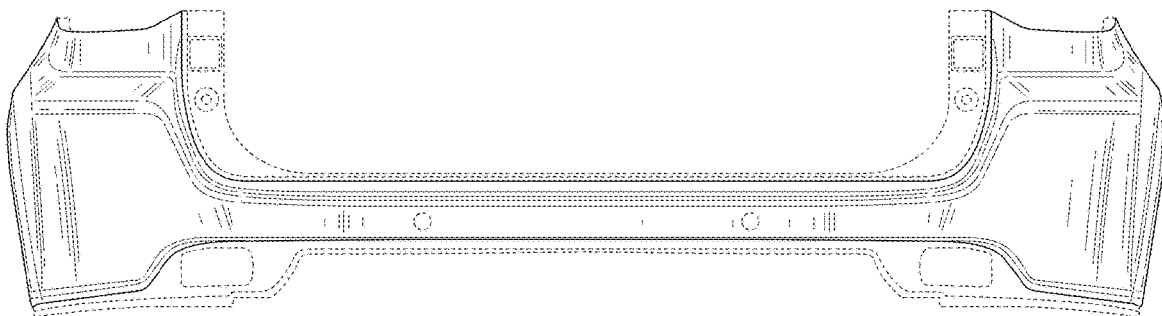
FIG. 1 is a front perspective view of a vehicle rear bumper showing our new design;
 FIG. 2 is a front view thereof;
 FIG. 3 is a rear view thereof;
 FIG. 4 is a side view thereof;
 FIG. 5 is a top view thereof; and,
 FIG. 6 is a bottom view.
 It will be understood that the broken lines shown in the drawings illustrate portions of the vehicle rear bumper that form no part of claimed design.

1 Claim, 6 Drawing Sheets

(56) **References Cited**

U.S. PATENT DOCUMENTS

D598,829	S	*	8/2009	Mattin	D12/169
D600,604	S	*	9/2009	Lamm	D12/169
D600,605	S	*	9/2009	Lamm	D12/169



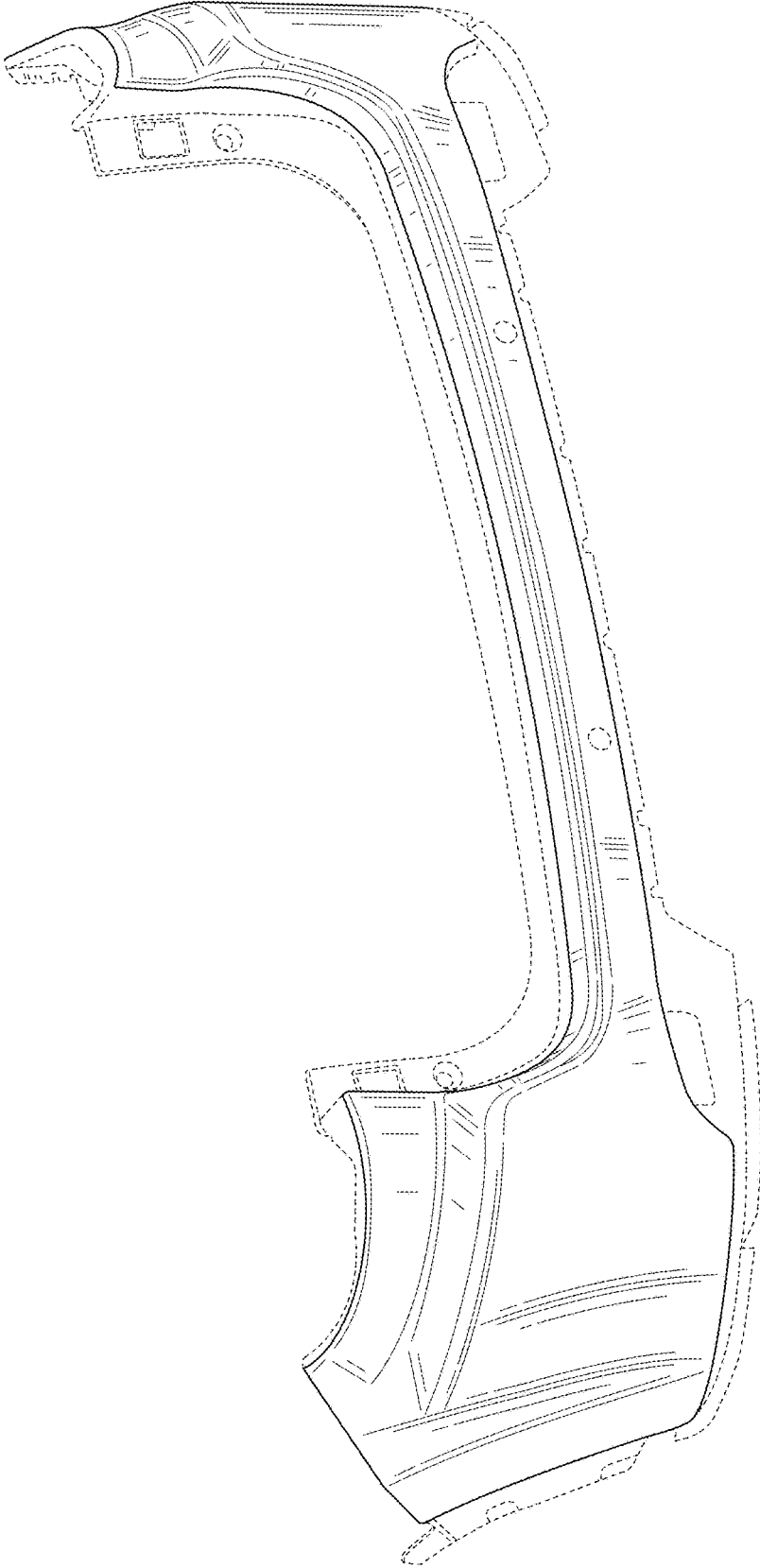


FIG. 1

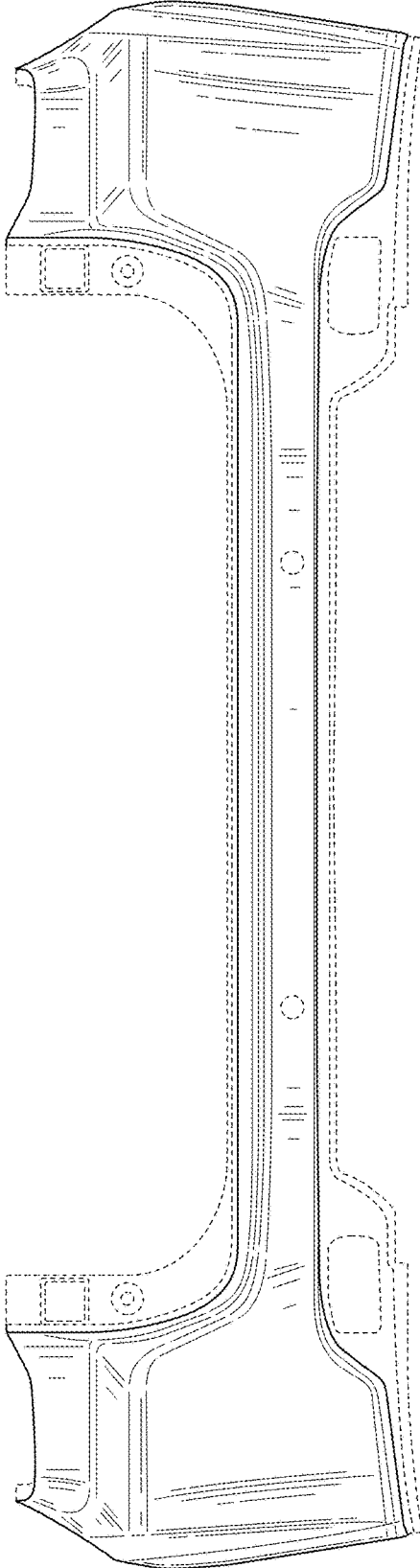


FIG. 2

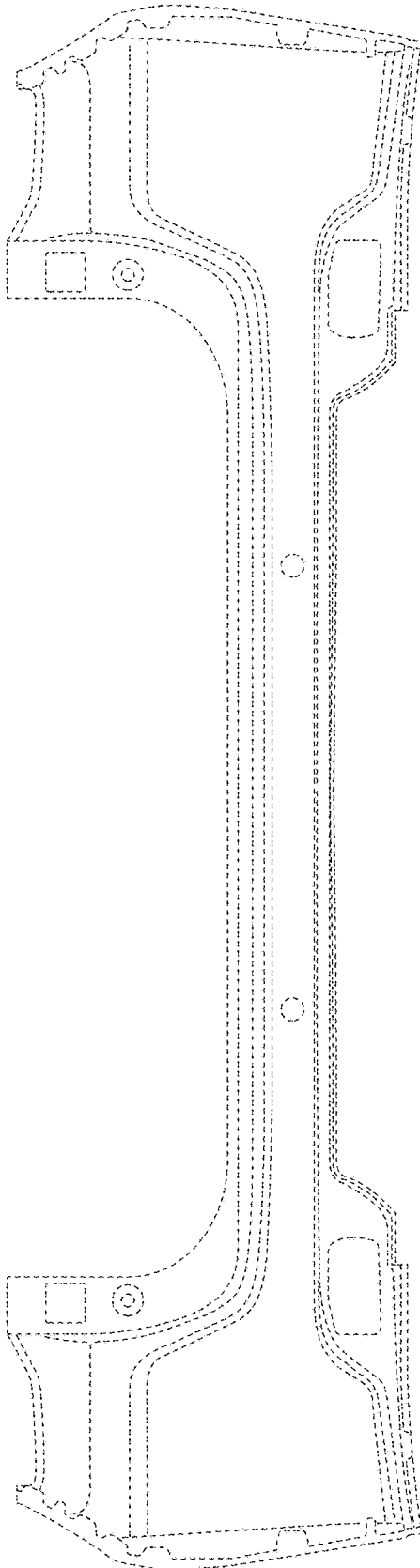


FIG. 3

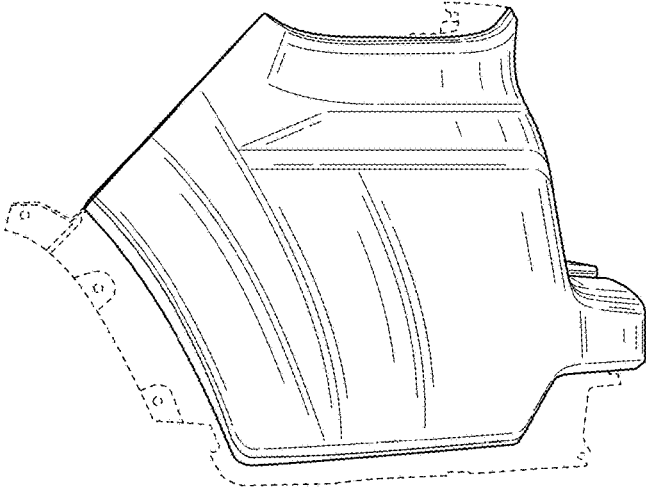


FIG. 4

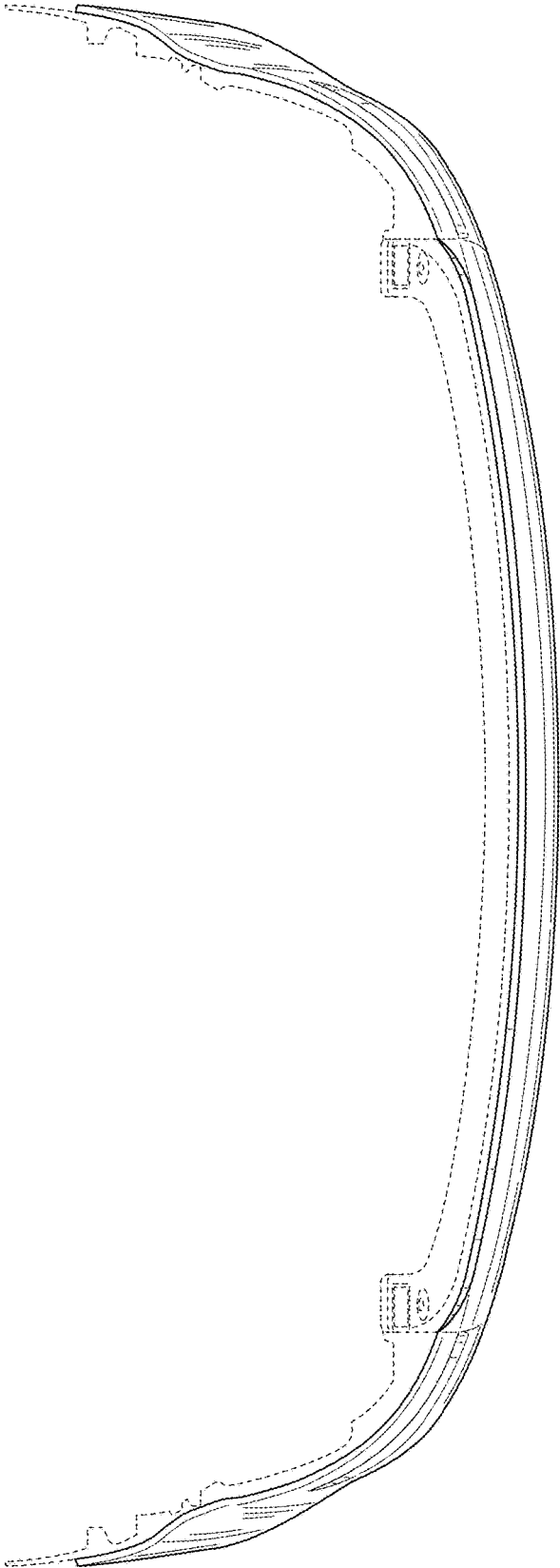


FIG. 5

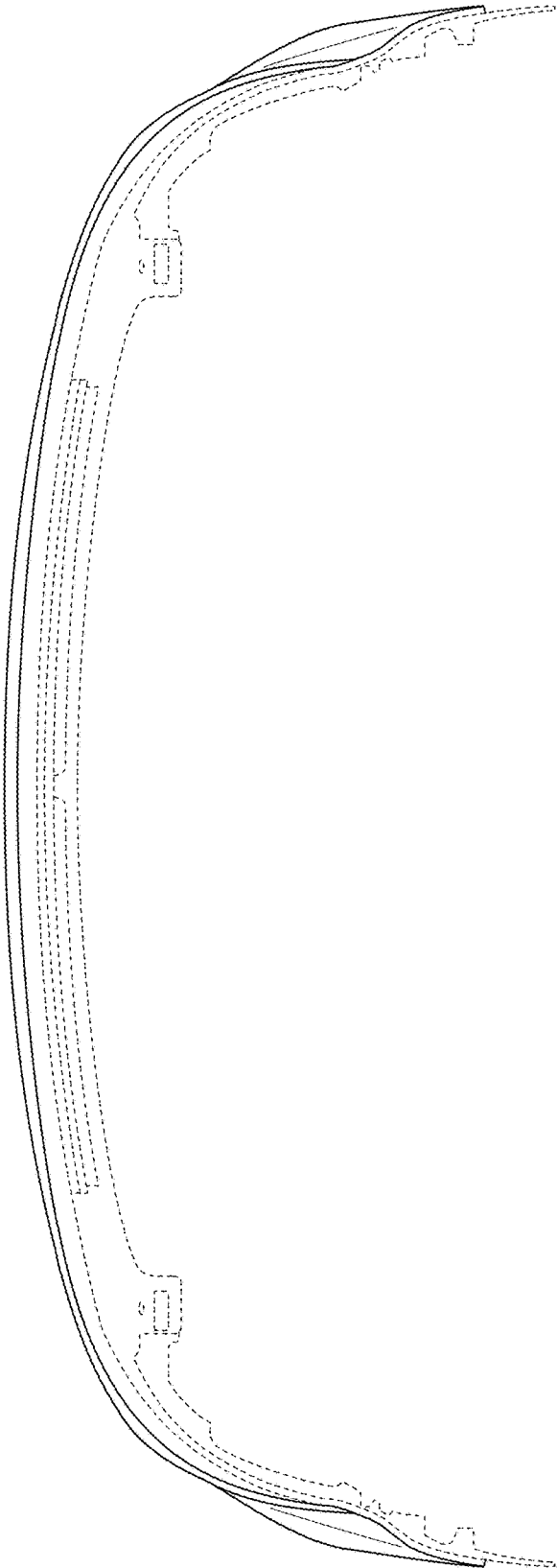


FIG. 6