



US00D426547S

United States Patent [19]

[11] Patent Number: **Des. 426,547**

Khovaylo et al.

[45] Date of Patent: **** Jun. 13, 2000**

[54] **SCANNER BODY FRONT END PORTION**

D. 318,654	7/1991	Huang	D14/425
D. 340,233	10/1993	Takahashi	D14/425
D. 350,733	9/1994	Masujima	D14/425

[75] Inventors: **Modest Khovaylo; James C. Dow,**
both of Fort Collins, Colo.

[73] Assignee: **Hewlett-Packard Company,** Palo Alto,
Calif.

[**] Term: **14 Years**

[21] Appl. No.: **29/114,531**

[22] Filed: **Nov. 23, 1999**

Primary Examiner—Freda Nunn

[57] CLAIM

The ornamental design for a scanner body front end portion, as shown and described.

DESCRIPTION

Related U.S. Application Data

[62] Division of application No. 29/107,788, Jul. 12, 1999, which is a division of application No. 29/100,743, Feb. 17, 1999, Pat. No. Des. 419,140, which is a division of application No. 29/094,295, Sep. 29, 1998, Pat. No. Des. 410,444, which is a division of application No. 29/075,936, Aug. 28, 1997, Pat. No. Des. 416,874.

[51] **LOC (7) Cl.** **14-02**

[52] **U.S. Cl.** **D14/425; D14/441**

[58] **Field of Search** **D14/421, 425,**
D14/441; D16/208, 214, 223, 232, 202;
250/556; 235/454, 476

FIG. 1 is an isometric view of a scanner body front end portion;

FIG. 2 is a bottom plan view of a scanner body front end portion;

FIG. 3 is a top plan view of a scanner body front end portion;

FIG. 4 is a front elevational view of a scanner body front end portion;

FIG. 5 is a left side elevational view of a scanner body front end portion; and,

FIG. 6 is a right side elevational view of a scanner body front end portion.

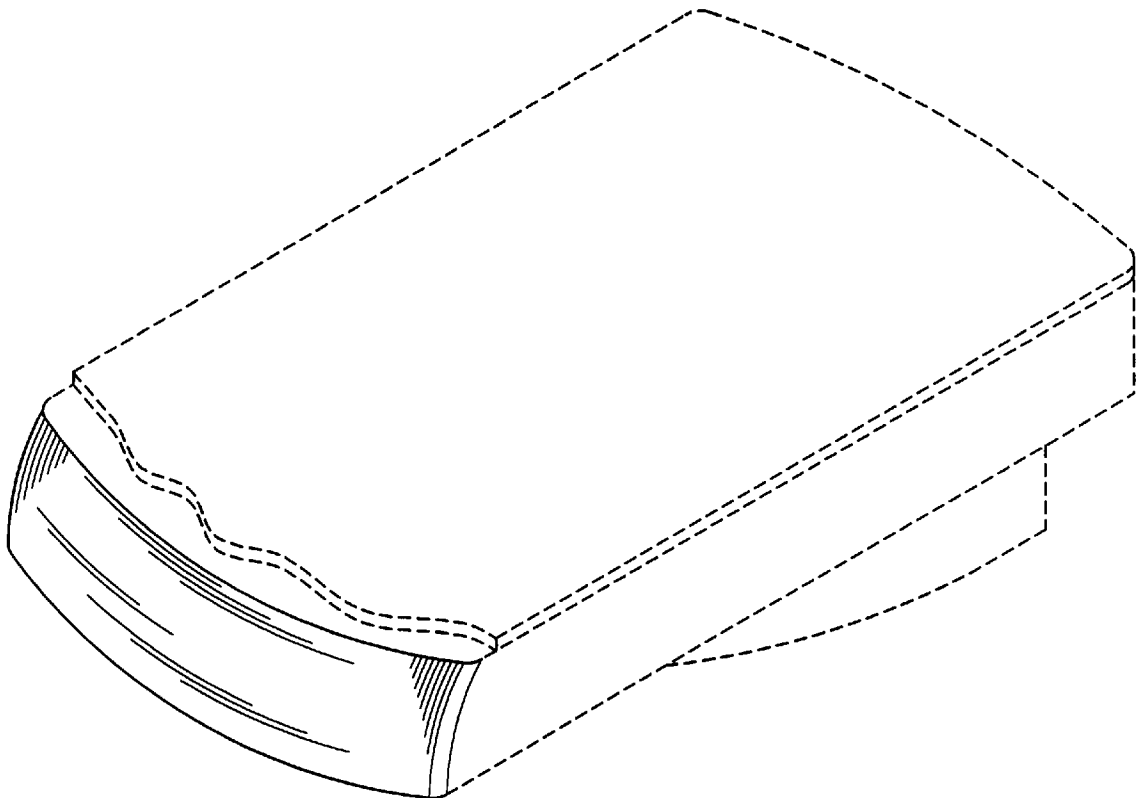
The broken lines are shown in the views for illustrative purposes only and form no part of the claimed design.

[56] References Cited

U.S. PATENT DOCUMENTS

D. 303,660 9/1989 Yamagiwa et al. D14/425

1 Claim, 4 Drawing Sheets



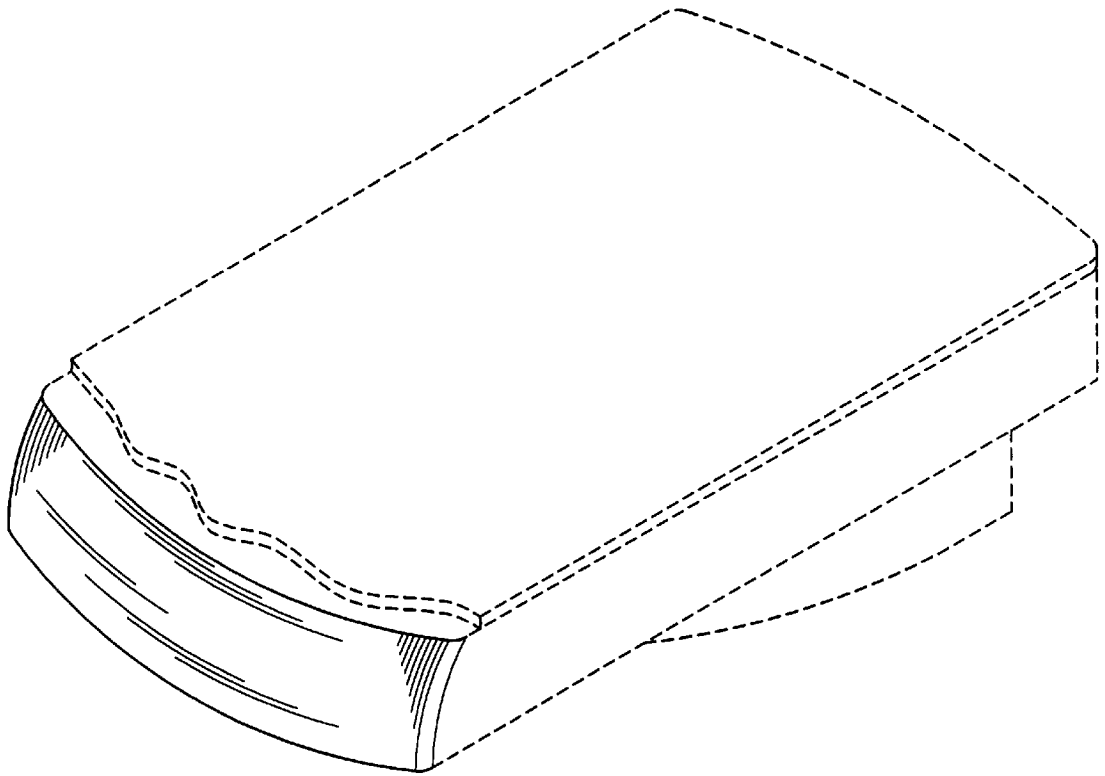


FIG. 1

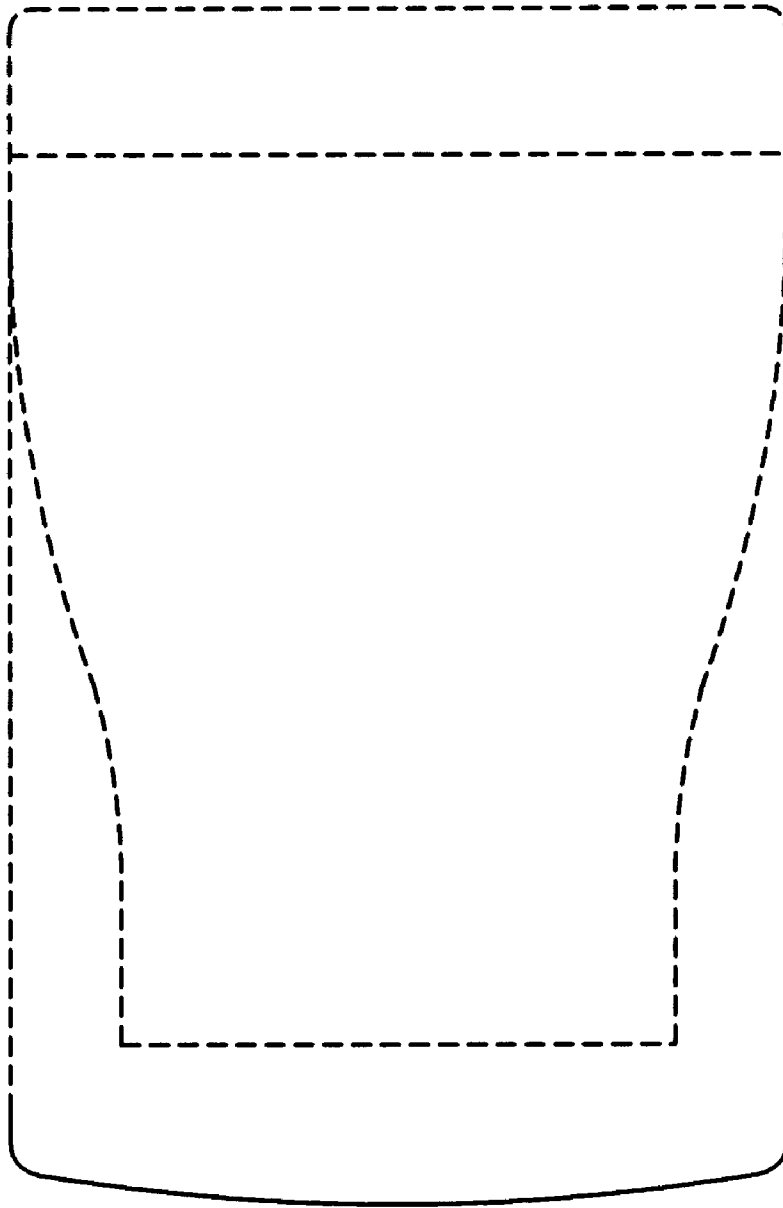


FIG. 2

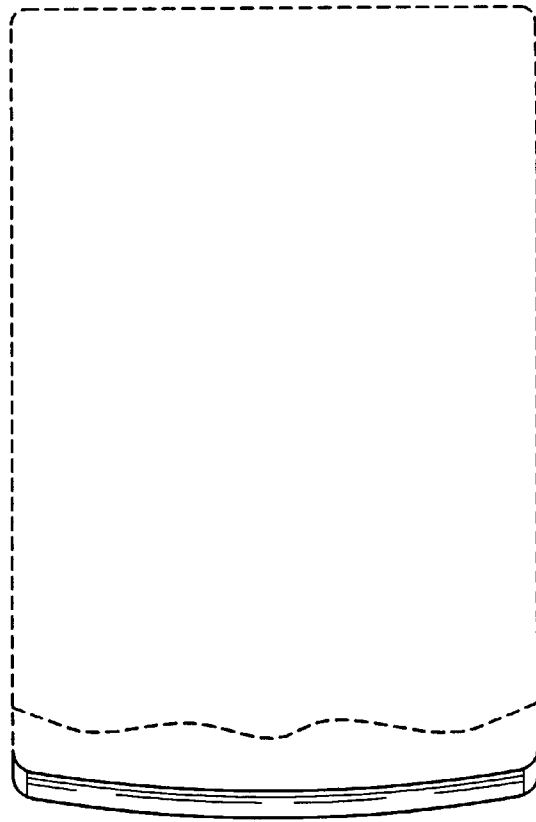


FIG. 3

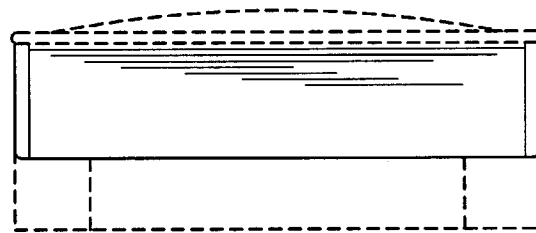


FIG. 4

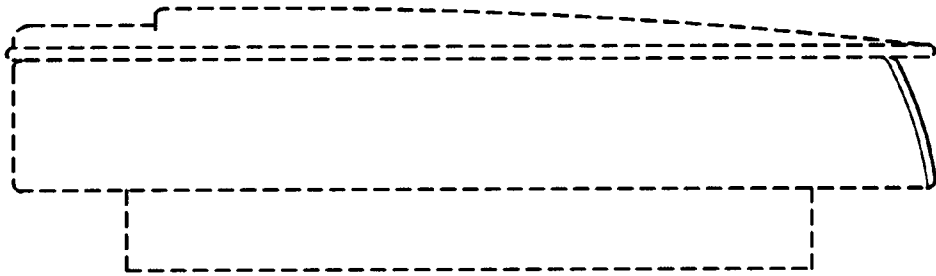


FIG. 5

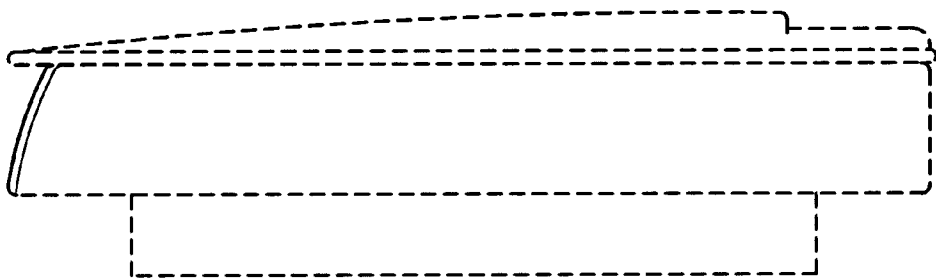


FIG. 6