



US00D332972S

United States Patent [19]

[11] Patent Number: **Des. 332,972**

Lott

[45] Date of Patent: **** Feb. 2, 1993**

[54] **GRAPHICS DISPLAY SUPPORT STAND**

4,685,400 3/1987 Unander-Scharin 108/111
4,977,698 12/1990 Seggerson 40/618

[76] Inventor: **Richard G. Lott**, 4238 Dumfries Street, Vancouver, British Columbia, Canada, V5N 3T2

OTHER PUBLICATIONS

Uniweb Catalog, 1985/1986, system 88, section conditions.

[**] Term: **14 Years**

Primary Examiner—Nelson C. Holtje
Assistant Examiner—Jeffrey Asch
Attorney, Agent, or Firm—John R. Uren

[21] Appl. No.: **520,227**

[22] Filed: **May 7, 1990**

[57] **CLAIM**

[30] **Foreign Application Priority Data**

The ornamental design for a graphics display support stand, as shown and described.

Nov. 7, 1989 [CA] Canada 0711895

[52] U.S. Cl. **D20/10; D6/479; D6/569**

[58] **Field of Search** D20/10, 34, 40, 41, D20/42; D6/477-479, 569-571, 473, 474; 108/106-108, 111; 40/584, 617, 618, 624

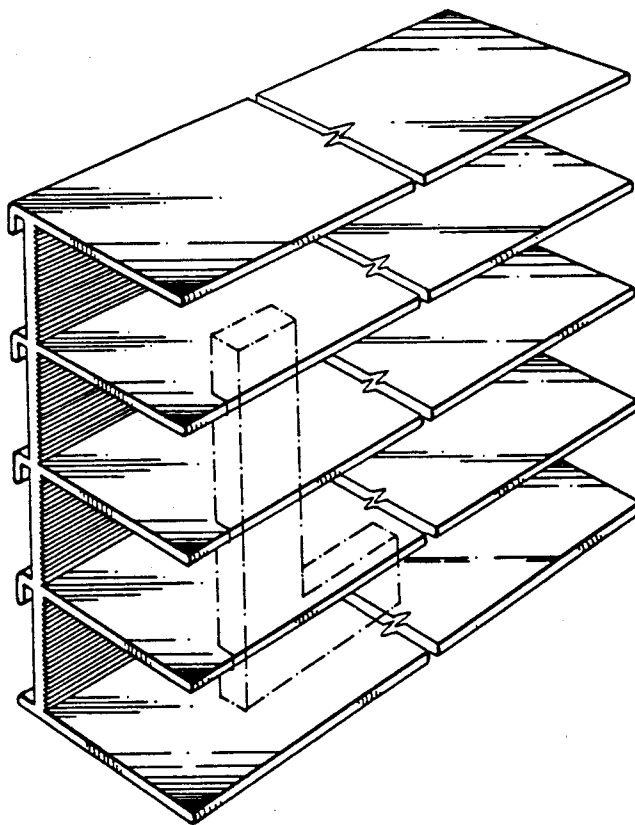
DESCRIPTION

FIG. 1 is a perspective view of a graphics display support stand showing my new design; FIG. 2 is a top plan view; FIG. 3 is a front elevational view; FIG. 4 is a rear elevational view; FIG. 5 is a bottom plan view; FIG. 6 is a left side elevational view; FIG. 7 is a second embodiment of that shown in FIG. 1; and, FIG. 8 is a third embodiment of that shown in FIG. 1. The broken line showing of a letter in FIG. 1 and of a support bracket in FIG. 6 are for illustrative purposes only. FIGS. 1-5 have been shown broken away to indicate indeterminate length.

[56] **References Cited**

U.S. PATENT DOCUMENTS

D. 150,030	6/1948	Ressinger	D6/473
D. 216,716	3/1970	Krikker	D6/474
D. 257,993	1/1981	DeMars	D20/42
661,266	11/1900	Heinemann	40/584
1,887,591	11/1932	Fugita	40/618
2,224,069	12/1940	Wagner	40/618
2,966,754	1/1961	Orkin	40/618
3,722,120	3/1973	Finkel	40/618
4,671,002	6/1987	Fast	40/584 X



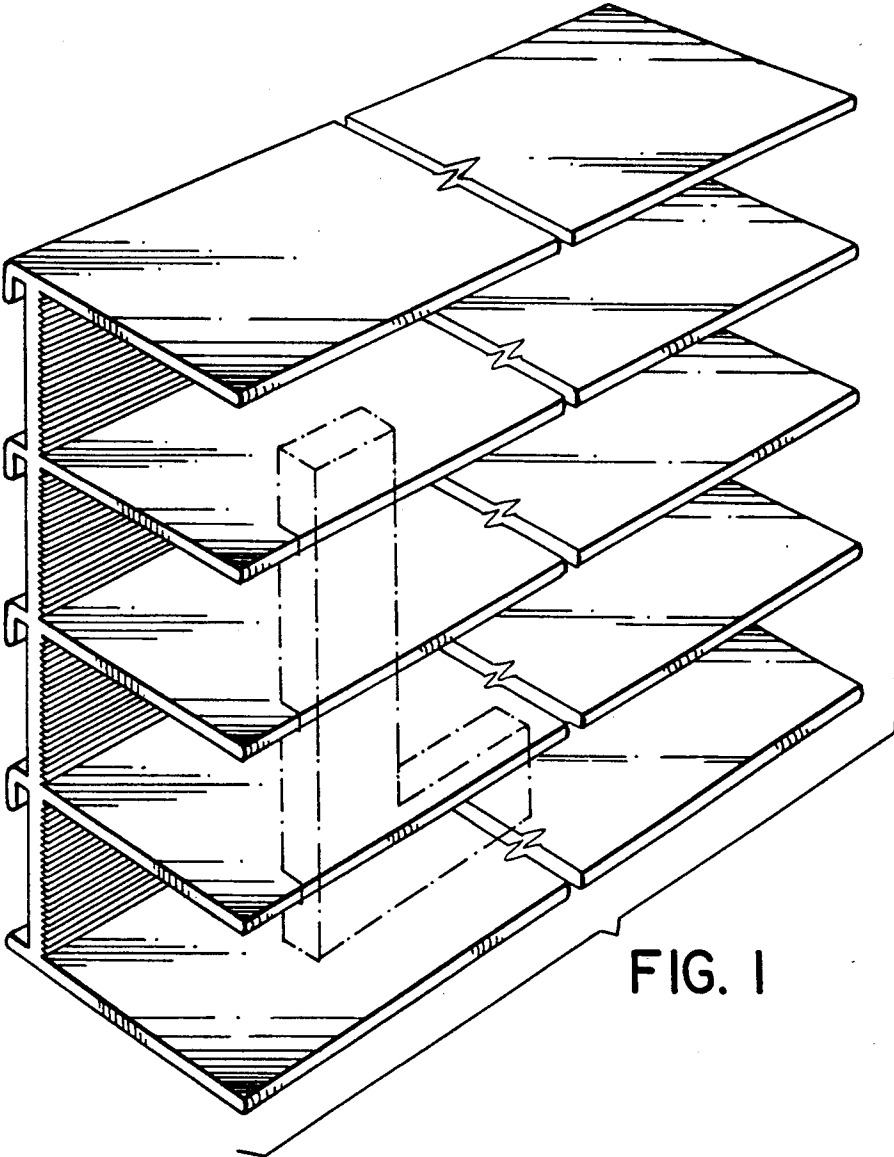


FIG. 1

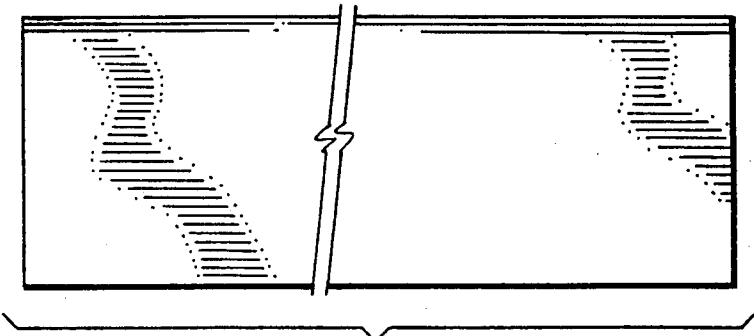


FIG. 2

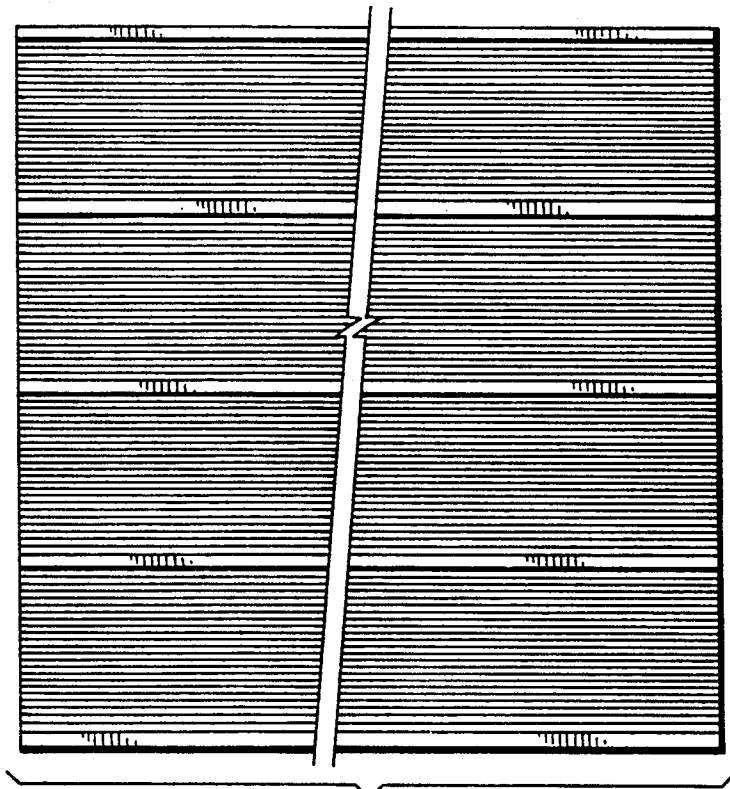


FIG. 3

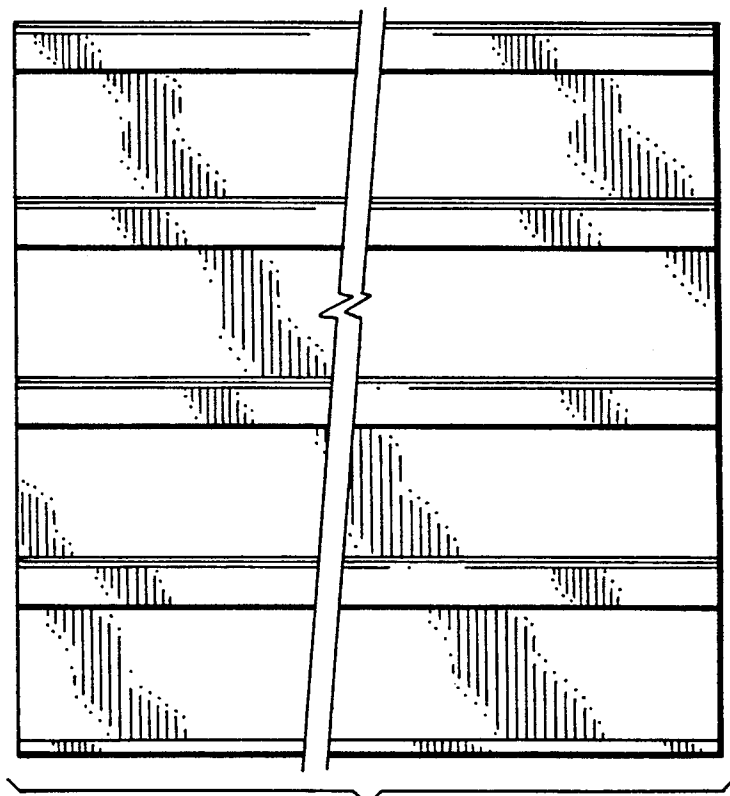


FIG. 4

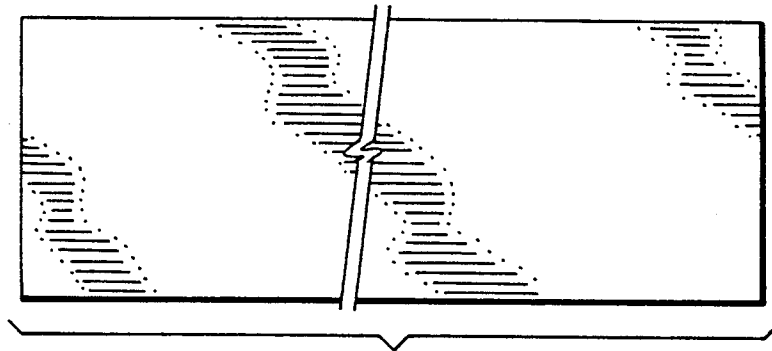


FIG. 5

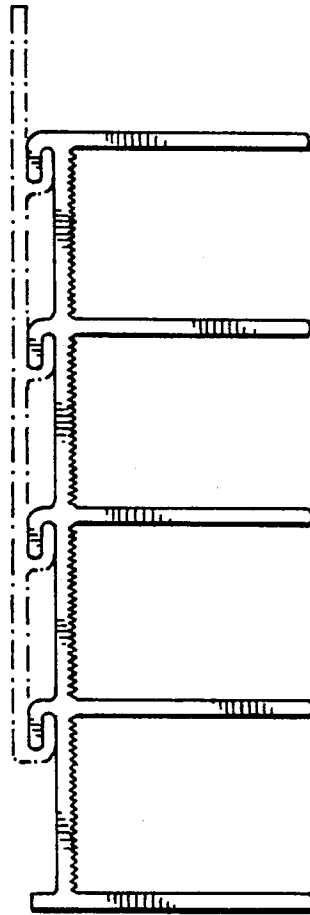


FIG. 6

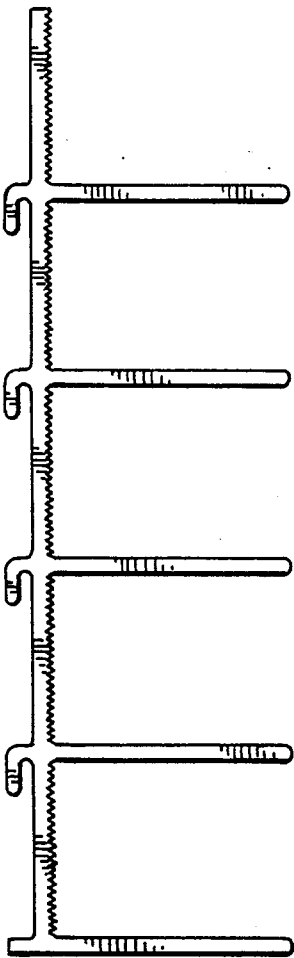


FIG. 7

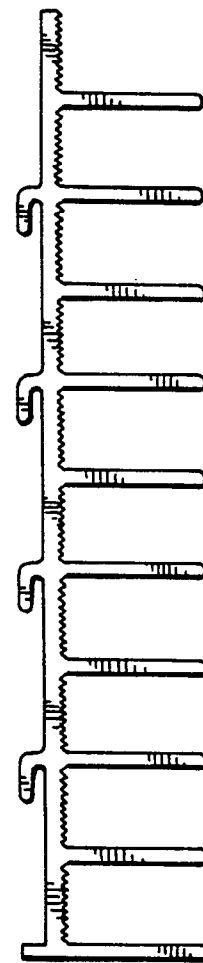


FIG. 8