



US00D712181S

(12) **United States Design Patent**  
**Martell et al.**

(10) **Patent No.:** **US D712,181 S**

(45) **Date of Patent:** **\*\* Sep. 2, 2014**

(54) **DISPLAY SHELF**

(71) Applicant: **Target Brands, Inc.**, Minneapolis, MN (US)

(72) Inventors: **Timothy J. Martell**, Brooklyn Park, MN (US); **Jason W. Johnson**, Wayzata, MN (US); **Joseph R. Stukenberg**, Minneapolis, MN (US)

(73) Assignee: **Target Brands, Inc.**, Minneapolis, MN (US)

(\*\*) Term: **14 Years**

(21) Appl. No.: **29/489,616**

(22) Filed: **May 1, 2014**

(51) **LOC (10) Cl.** ..... **06-06**

(52) **U.S. Cl.**

USPC ..... **D6/675.1**

(58) **Field of Classification Search**

USPC ..... D6/460, 461, 468, 474, 477-479, 672, D6/675, 675.1; 312/7.2, 9.1; 108/59, 91, 108/92, 96; 211/41.12, 42, 49.1, 50, 85.2, 211/90.04, 187, 190, 119.003, 134.153, 211/87.01, 71.01

See application file for complete search history.

(56) **References Cited**

**U.S. PATENT DOCUMENTS**

D517,838 S \* 3/2006 Luong ..... D6/477  
D546,587 S \* 7/2007 Devolder ..... D6/479  
D550,478 S \* 9/2007 Glass et al. .... D6/436  
D562,595 S \* 2/2008 Weatherly et al. .... D6/474

D586,792 S \* 2/2009 Lozano ..... D14/239  
D599,577 S \* 9/2009 Lara ..... D6/436  
D603,191 S \* 11/2009 Priestman ..... D6/474  
D677,078 S \* 3/2013 Lambright et al. .... D6/675.3  
D684,412 S \* 6/2013 Hansen, Jr. .... D6/673

\* cited by examiner

*Primary Examiner* — Kelley Donnelly

(74) *Attorney, Agent, or Firm* — Leanne Taveggia Farrell; Westman, Champlin & Koehler, P.A.

(57) **CLAIM**

The ornamental design for a display shelf, as shown and described.

**DESCRIPTION**

FIG. 1 is a perspective view of a first embodiment of a display shelf showing our new design;

FIG. 2 is a front view thereof, the back view being identical; FIG. 3 is a side view thereof, the opposing side being identical;

FIG. 4 is a top view thereof;

FIG. 5 is a perspective view of a second embodiment of the display shelf;

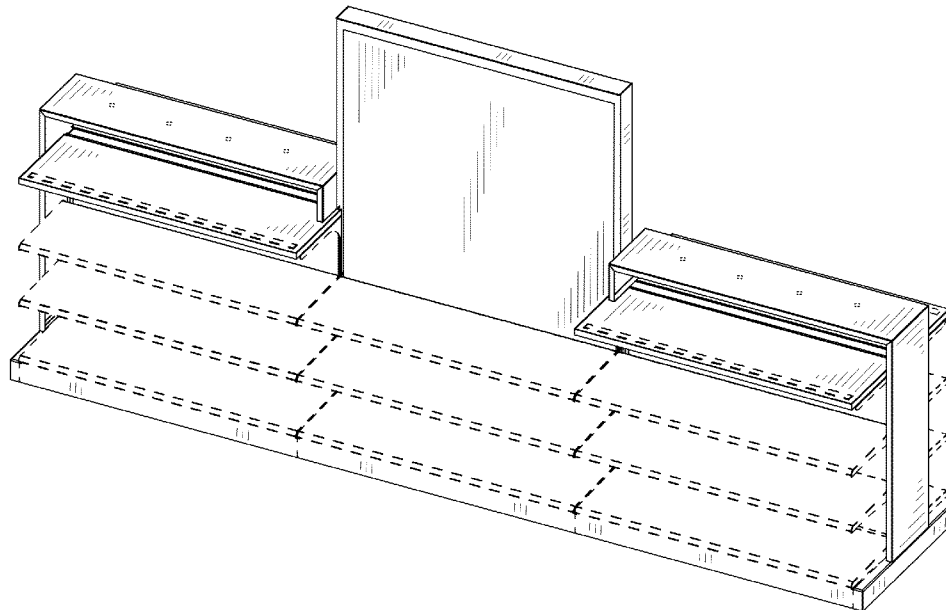
FIG. 6 is a front view of FIG. 5, the back view being identical; FIG. 7 is a side view of FIG. 5, the opposing side being identical; and,

FIG. 8 is a top view of FIG. 5.

The broken lines illustrate portions of the display shelf and form no part of the claimed design.

Although elements are shown in broken lines, it is contemplated by the inventors that these elements can be converted to solid lines such as the shelves, the holes in the uppermost shelves and the slots in the uppermost shelves.

**1 Claim, 8 Drawing Sheets**



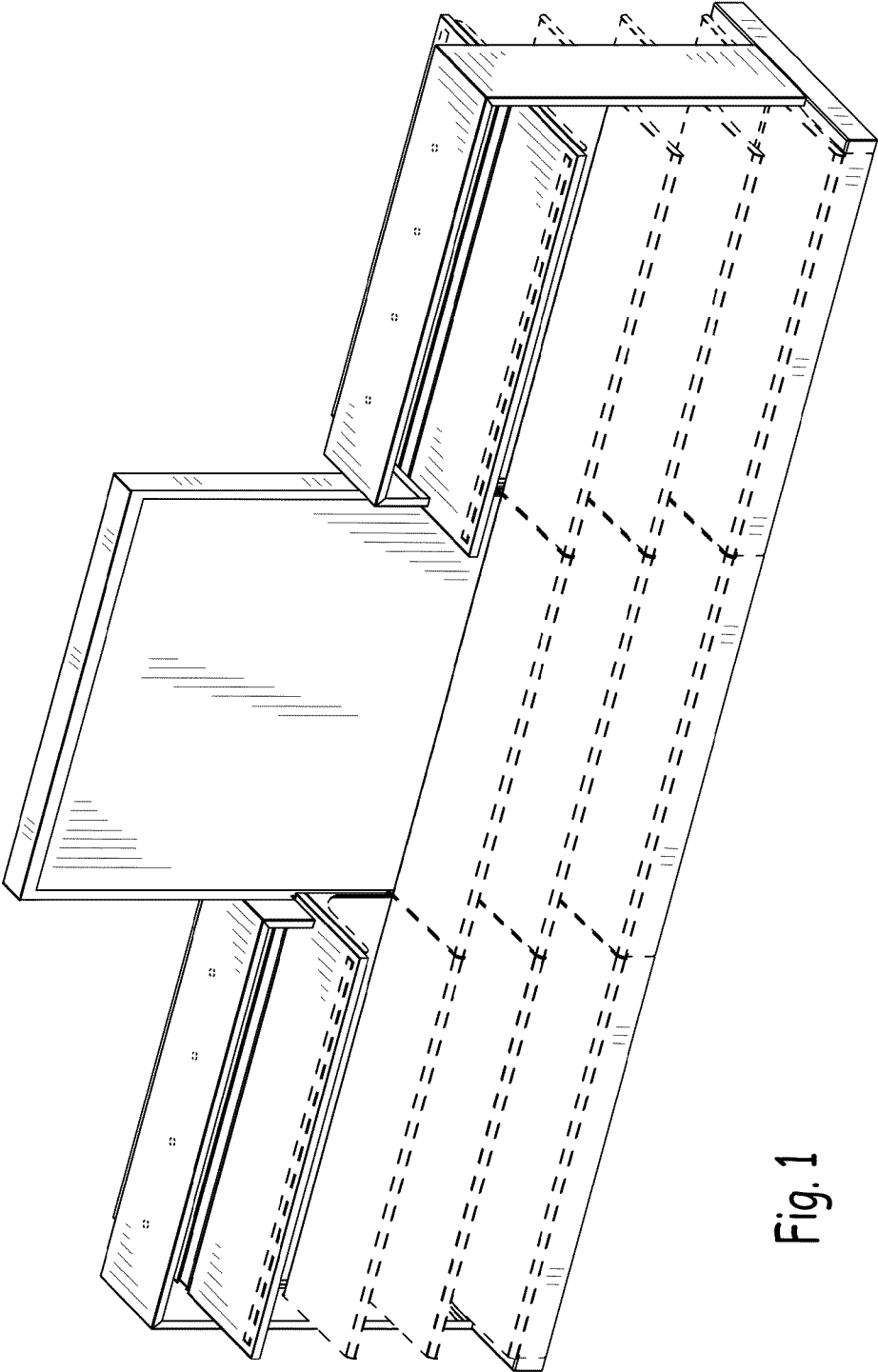


Fig. 1

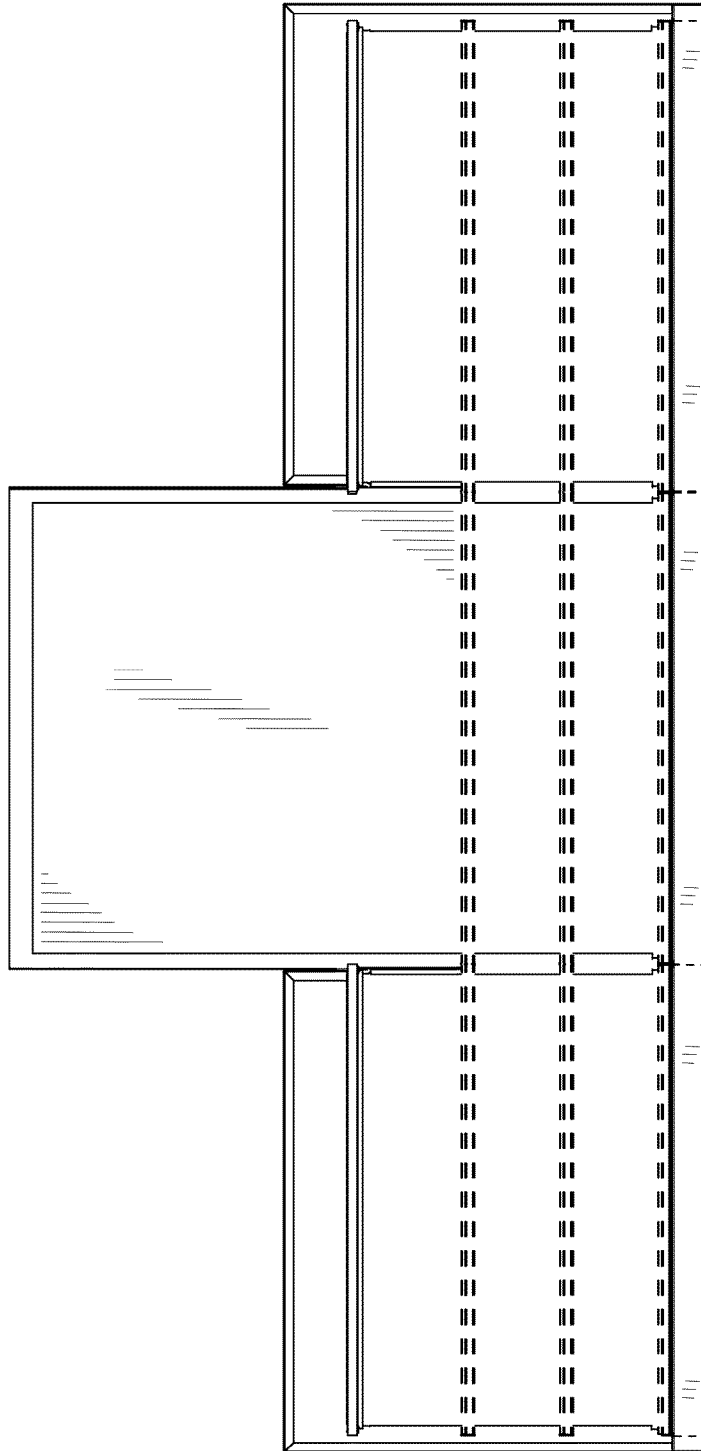


Fig. 2

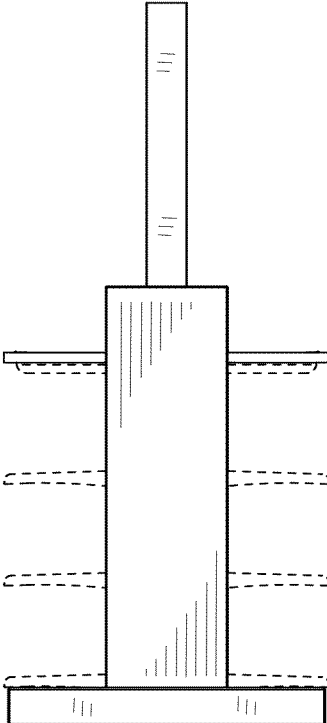


Fig. 3

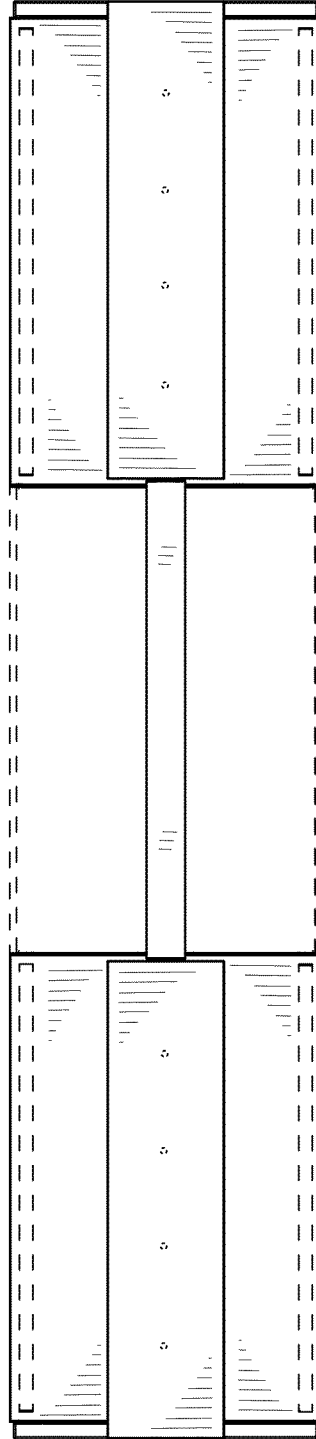


Fig. 4

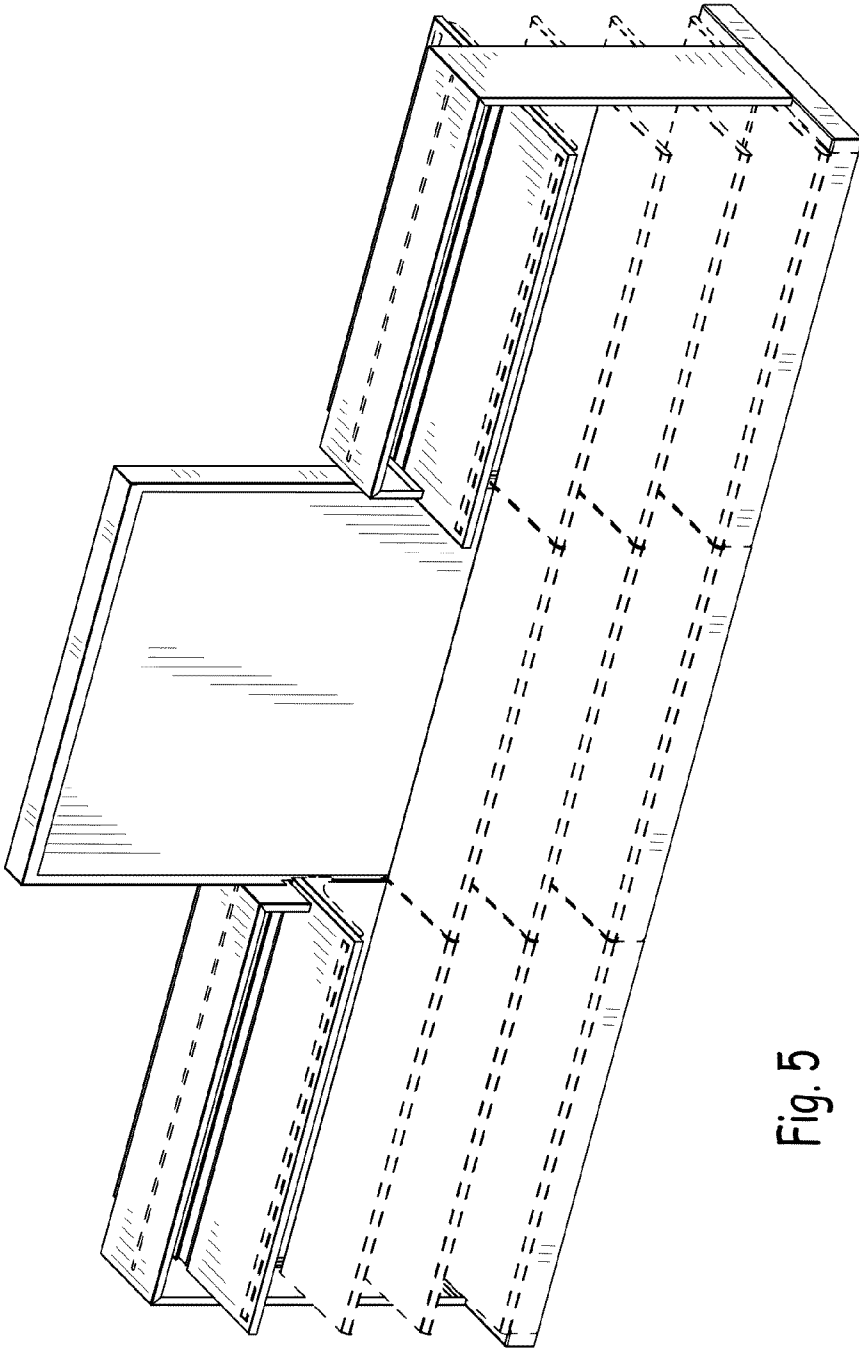


Fig. 5

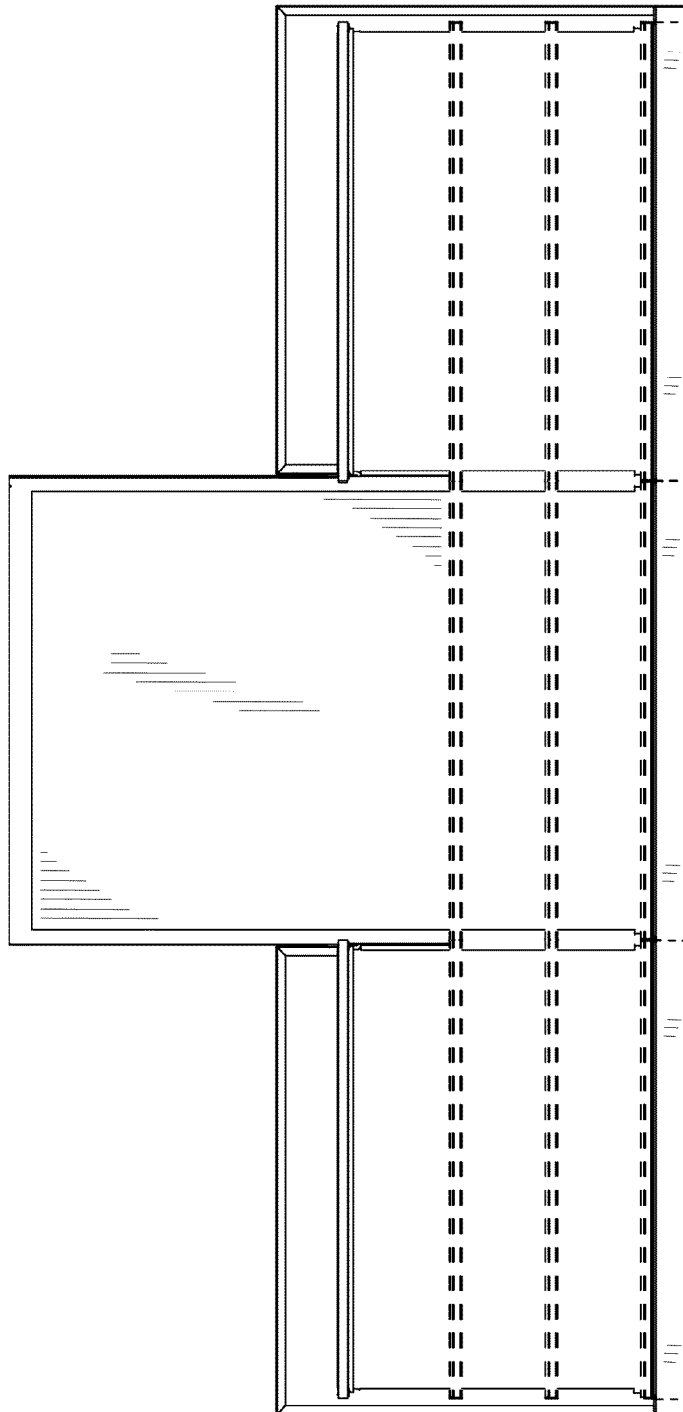


Fig. 6

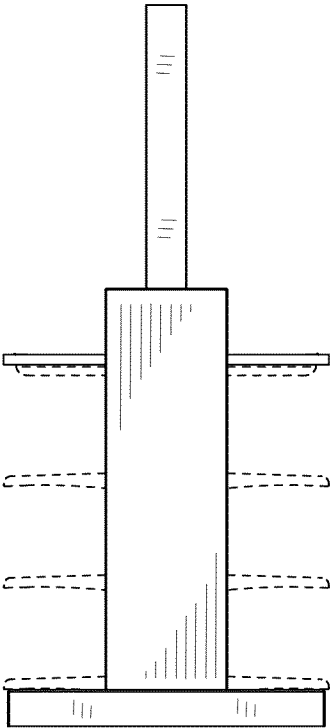


Fig. 7



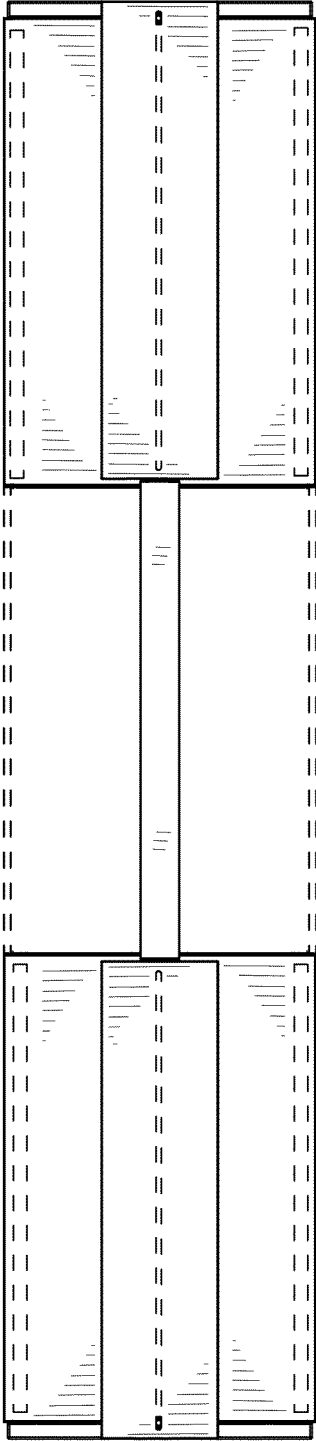


Fig. 8