

(19) World Intellectual Property Organization
International Bureau



(43) International Publication Date
29 March 2001 (29.03.2001)

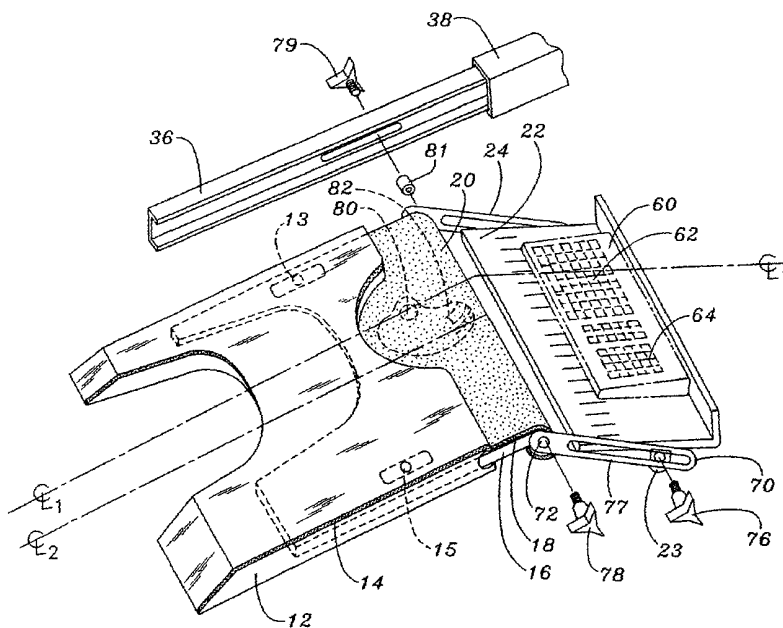
PCT

(10) International Publication Number
WO 01/21038 A3

- (51) International Patent Classification⁷: B68G 5/00, B43L 15/00
- (74) Agent: HARRINGTON, Curtis, L.; Suite 250, 6300 State University Drive, Long Beach, CA 90815 (US).
- (21) International Application Number: PCT/US00/26293
- (81) Designated States (*national*): AE, AL, AM, AT, AU, AZ, BA, BB, BG, BR, BY, CA, CH, CN, CU, CZ, DE, DK, EE, ES, FI, GB, GD, GE, GH, GM, HR, HU, ID, IL, IN, IS, JP, KE, KG, KP, KR, KZ, LC, LK, LR, LS, LT, LU, LV, MD, MG, MK, MN, MW, MX, NO, NZ, PL, PT, RO, RU, SD, SE, SG, SI, SK, SL, TJ, TM, TR, TT, UA, UG, UZ, VN, YU, ZA, ZW.
- (22) International Filing Date: 21 September 2000 (21.09.2000)
- (25) Filing Language: English
- (26) Publication Language: English
- (84) Designated States (*regional*): ARIPO patent (GH, GM, KE, LS, MW, MZ, SD, SL, SZ, TZ, UG, ZW), Eurasian patent (AM, AZ, BY, KG, KZ, MD, RU, TJ, TM), European patent (AT, BE, CH, CY, DE, DK, ES, FI, FR, GB, GR, IE, IT, LU, MC, NL, PT, SE), OAPI patent (BF, BJ, CF, CG, CI, CM, GA, GN, GW, ML, MR, NE, SN, TD, TG).
- (30) Priority Data: 09/405,546 24 September 1999 (24.09.1999) US
- (71) Applicants and
(72) Inventors: RAHMANIAN, Omid [US/US]; 1001 W. San Marcos Blvd, Suite 106-C, San Marcos, CA 92069-4012 (US). MOTTAHEDEH, Soheyl [US/US]; 1001 W. San Marcos Blvd, Suite 106-C, San Marcos, CA 92069-4012 (US).
- Published:
— with international search report
- (88) Date of publication of the international search report: 18 October 2001

[Continued on next page]

(54) Title: STRESS-FREE UNIVERSAL WORKSTATION MODULE



(57) Abstract: A stress-free, ergonomically designed, computer workstation module (10) universally adaptable to most keyboards and mice comprises a shaped cutout extending toward the operator providing comfortable support to forearms and wrists. A telescoping sub-tray (16) extending from under an upper planar member cooperates hingingly and slidingly with an adjustable slope tray (22) for supporting a keyboard. The device provides a bio-mechanically sound position for centrally locating a computer mouse. The invention provides a proven efficient, and economical approach to the problems associated with carpal tunnel syndrome and ulnar deviation.



WO 01/21038 A3



For two-letter codes and other abbreviations, refer to the "Guidance Notes on Codes and Abbreviations" appearing at the beginning of each regular issue of the PCT Gazette.

INTERNATIONAL SEARCH REPORT

International application No.
PCT US00.26293

A. CLASSIFICATION OF SUBJECT MATTER

IPC(7) : B68G 5/00, B43L 15/00

US CL : 248/118, 118.5, 918

According to International Patent Classification (IPC) or to both national classification and IPC

B. FIELDS SEARCHED

Minimum documentation searched (classification system followed by classification symbols)

U.S. : 248/118, 118.5, 918

Documentation searched other than minimum documentation to the extent that such documents are included in the fields searched

Electronic data base consulted during the international search (name of data base and, where practicable, search terms used)

C. DOCUMENTS CONSIDERED TO BE RELEVANT

Category*	Citation of document, with indication, where appropriate, of the relevant passages	Relevant to claim No.
X	US 5,810,301 A (MCGRATH et al.) 22 September 1998, Figs. 1, 2, and 7, col 7, lines 62-67 and col 8, lines 1-27.	1
Y, P	US 6,076,785 A (ODDSEN, JR.) 20 June 2000, col 1, lines 66-67; col 2, lines 1-13. Note: In claims 39-47, reference to claim 36 apparently should be claim 38, apparently a typographical error.	1, 2-37 and 48
A, E	US 6,135,404 A (WISNIEWSKI et al.) 24 October 2000.	1-48
A, P	US 6,082,692 A (PRICE) 04 July 2000.	1-48
A	US 5,878,674 A (ALLAN) 09 March 1999.	1-48
A	US 5,791,263 A (WATT et al.) 11 August 1998.	1-48

Further documents are listed in the continuation of Box C. See patent family annex.

<p>* Special categories of cited documents:</p> <p>"A" document defining the general state of the art which is not considered to be of particular relevance</p> <p>"E" earlier document published on or after the international filing date</p> <p>"C" document which may throw doubts on priority claim(s) or which is cited to establish the publication date of another citation or other special reason (as specified)</p> <p>"D" document referring to an oral disclosure, use, exhibition or other means</p> <p>"F" document published prior to the international filing date but later than the priority date claimed</p>	<p>"T" later document published after the international filing date or priority date and not in conflict with the application but cited to understand the principle or theory underlying the invention</p> <p>"X" document of particular relevance, the claimed invention cannot be considered novel or cannot be considered to involve an inventive step when the document is taken alone</p> <p>"Y" document of particular relevance, the claimed invention cannot be considered to involve an inventive step when the document is combined with one or more other such documents, such combination being obvious to a person skilled in the art</p> <p>"Z" document member of the same patent family</p>
--	---

<p>Date of the actual completion of the international search</p> <p style="text-align: center;">19 FEBRUARY 2001</p>	<p>Date of mailing of the international search report</p> <p style="text-align: center; font-size: 1.2em; font-weight: bold;">27 MAR 2001</p>
<p>Name and mailing address of the ISA US Commissioner of Patents and Trademarks Box PCT Washington, D.C. 20231 Facsimile No. (703) 305-3230</p>	<p>Authorized officer</p> <p style="text-align: center;">WALTER LANDRY <i>Diane Smith f</i></p> <p>Telephone No. (703) 308-3122</p>

INTERNATIONAL SEARCH REPORTInternational application No.
PCT US00/26293

C (Continuation). DOCUMENTS CONSIDERED TO BE RELEVANT

Category*	Citation of document, with indication, where appropriate, of the relevant passages	Relevant to claim No.
A	US 5,375,800 A (WILCOX et al.) 27 December 1994.	1-48
A	US 5,881,984 A (LIN) 16 March 1999.	1-48
A	US 5,823,487 A (KIRCHHOFF et al.) 20 October 1998.	1-48
A, E	US 6,158,359 A (ALLAN et al.) 12 December 2000.	1-48
A	US 5,685,235 A (ALLAN) 11 November 1997.	1-48
A, E	US 6,161,805 A (WELLS) 19 December 2000.	1-48
A	US 5,839,373 A (LIN) 24 November 1998.	1-48
A, P	US 6,070,838 A (LUGINSLAND) 06 June 2000.	1-48
A	US 5,517,812 A (SIMMONS) 21 May 1996.	1-48
A	US 5,292,097 A (RUSSELL) 08 March 1994.	1-48