



US0D1045714S

(12) **United States Design Patent**
Jo et al.

(10) **Patent No.:** **US D1,045,714 S**

(45) **Date of Patent:** **** Oct. 8, 2024**

(54) **VEHICLE FRONT UPPER BUMPER FASCIA**

(71) Applicant: **GM GLOBAL TECHNOLOGY OPERATIONS LLC**, Detroit, MI (US)

(72) Inventors: **Dongwan Jo**, Incheon (KR);
Myeongseon Choi, Incheon (KR);
Zooyoung Oh, Incheon (KR)

(73) Assignee: **GM GLOBAL TECHNOLOGY OPERATIONS LLC**, Detroit, MI (US)

(**) Term: **15 Years**

(21) Appl. No.: **29/893,655**

(22) Filed: **Jun. 1, 2023**

(51) **LOC (14) Cl.** **12-16**

(52) **U.S. Cl.**

USPC **D12/169**

(58) **Field of Classification Search**

USPC D12/169, 196, 86, 90-92, 163, 190, 98,
D12/164; 293/102, 113, 115, 117, 120,
293/193.11; 296/180.1, 180.2

CPC B60R 19/02; B60R 19/04; B62D 25/08

See application file for complete search history.

(56) **References Cited**

U.S. PATENT DOCUMENTS

D700,114 S *	2/2014	Wada	D12/169
D762,533 S *	8/2016	Tsutamori	D12/169
D763,145 S *	8/2016	Tsutamori	D12/169
D773,965 S *	12/2016	Morikawa	D12/169
D783,472 S *	4/2017	Ishii	D12/169
D784,867 S *	4/2017	Sahara	D12/169
D786,148 S *	5/2017	Kawaguchi	D12/169
D813,740 S *	3/2018	Park	D12/169
D814,369 S *	4/2018	Loeb	D12/169
D819,525 S *	6/2018	Behmer	D12/169
D824,300 S *	7/2018	Badstuebner	D12/169

D824,817 S *	8/2018	Morikawa	D12/169
D824,818 S *	8/2018	Morikawa	D12/169
D825,414 S *	8/2018	De Bono	D12/169
D826,114 S *	8/2018	Smith	D12/169
D829,620 S *	10/2018	Lim	D12/169
D851,555 S *	6/2019	Whitla	D12/169
D851,557 S *	6/2019	Thurber	D12/169
D856,226 S *	8/2019	Shin	D12/169
D860,075 S *	9/2019	Riggs	D12/169
D860,076 S *	9/2019	Bartels	D12/169
D881,083 S *	4/2020	Blanski	D12/169
D881,084 S *	4/2020	Watanuki	D12/169
D924,752 S *	7/2021	Park	D12/169
D934,757 S *	11/2021	Akcaay	D12/169
D938,323 S *	12/2021	Baek	D12/169
D949,758 S *	4/2022	Lee	D12/169
D971,801 S *	12/2022	Akcaay	D12/169
D974,973 S *	1/2023	Mockenhaupt	D12/169
D998,521 S *	9/2023	Choi	D12/169
D1,020,539 S *	4/2024	Seo	D12/169

* cited by examiner

Primary Examiner — Melody N Brown

(57) **CLAIM**

The ornamental design for a vehicle front upper bumper fascia, as shown and described.

DESCRIPTION

FIG. 1 is a front and left side perspective view of a vehicle front upper bumper fascia showing our new design;

FIG. 2 is a front elevation view thereof;

FIG. 3 is a left side elevation view thereof;

FIG. 4 is a right side elevation view thereof;

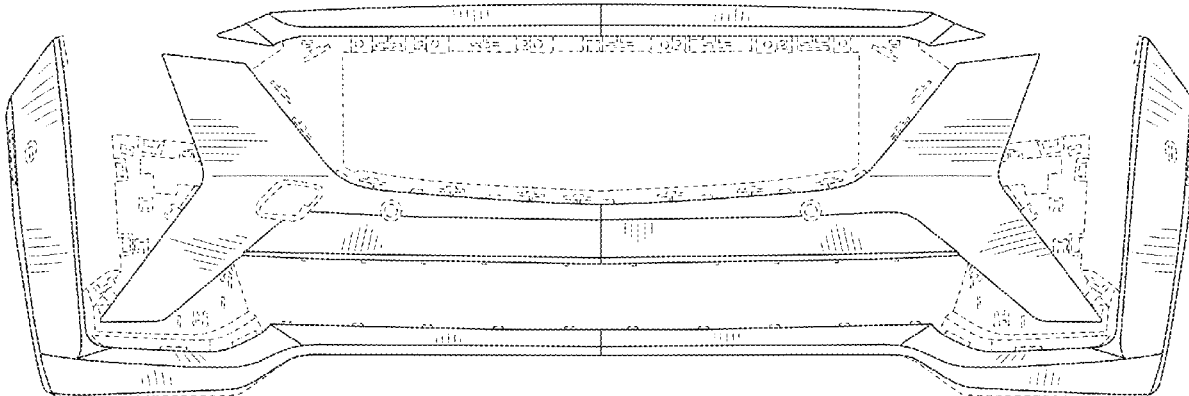
FIG. 5 is a rear elevation view thereof;

FIG. 6 is a top plan view thereof; and,

FIG. 7 is a bottom plan view thereof.

The broken lines in the drawings depict portions of the vehicle front upper bumper fascia that form no part of the claimed design.

1 Claim, 7 Drawing Sheets



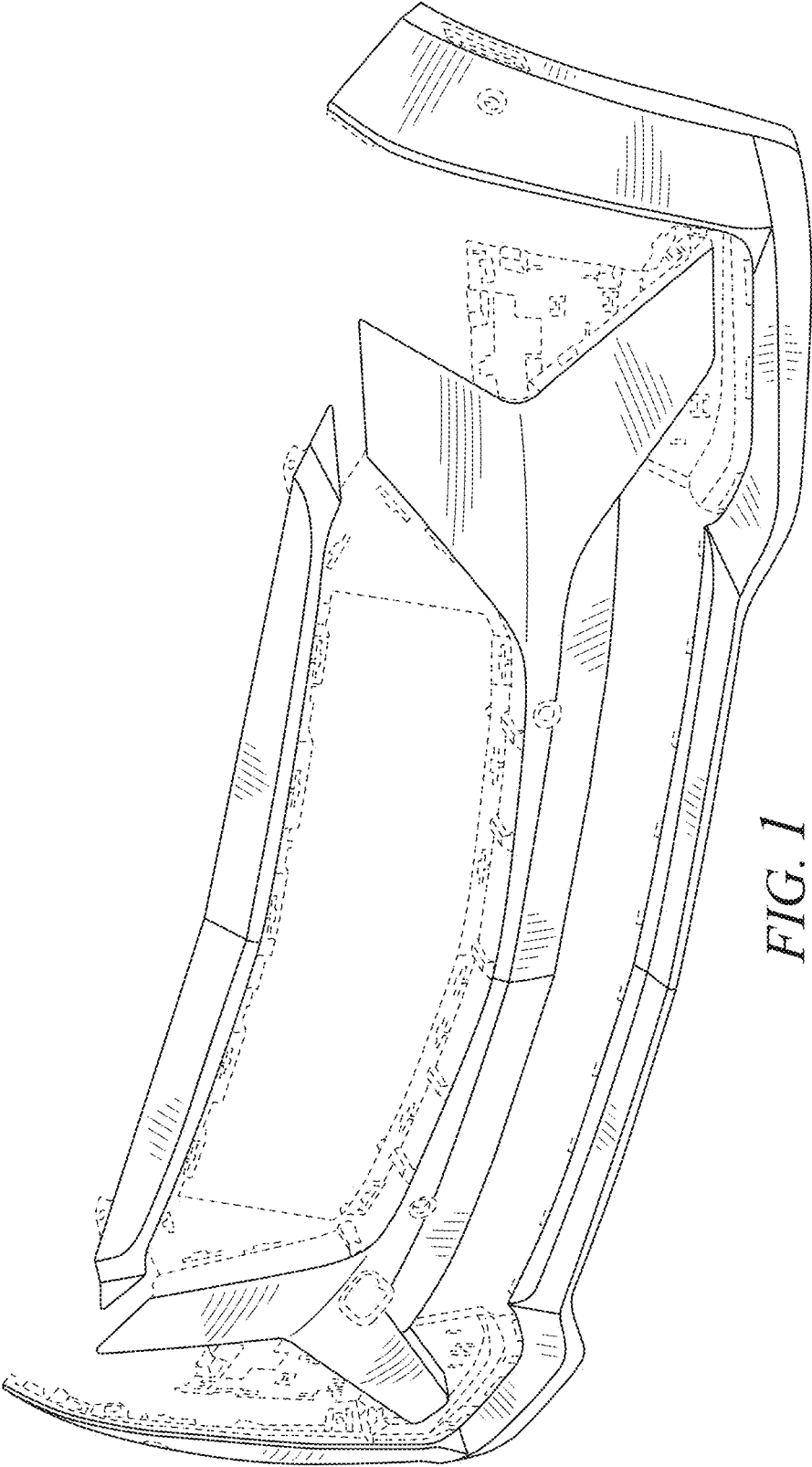


FIG. 1

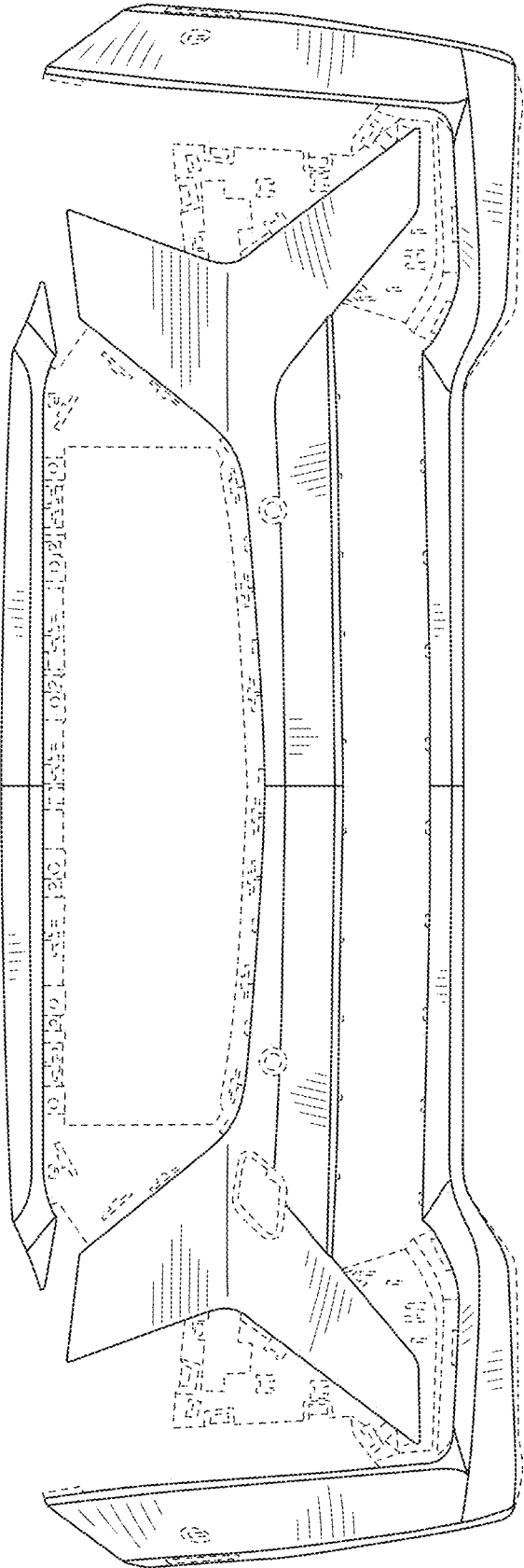


FIG. 2

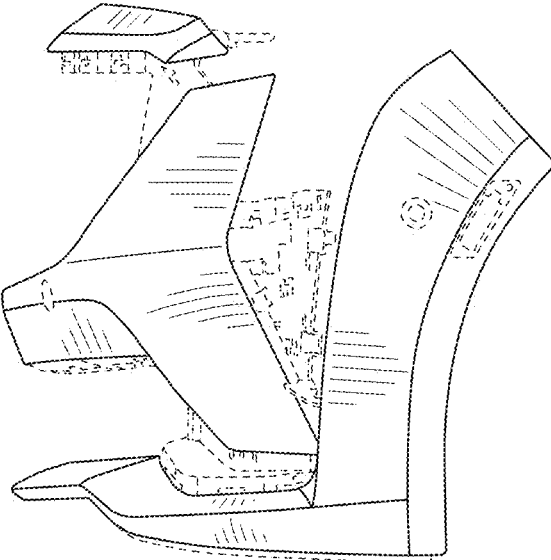


FIG. 3

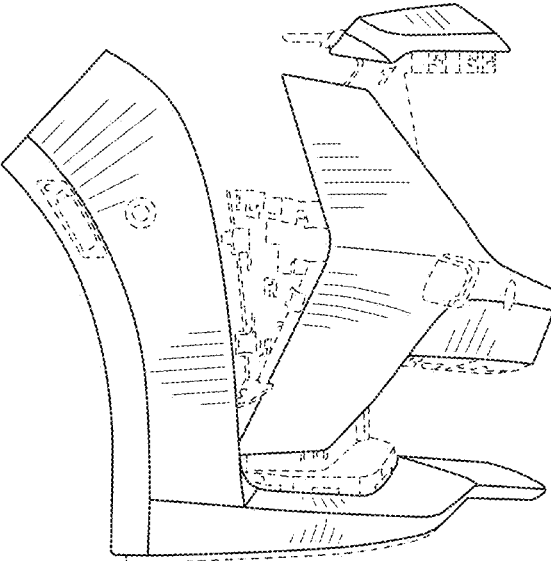


FIG. 4

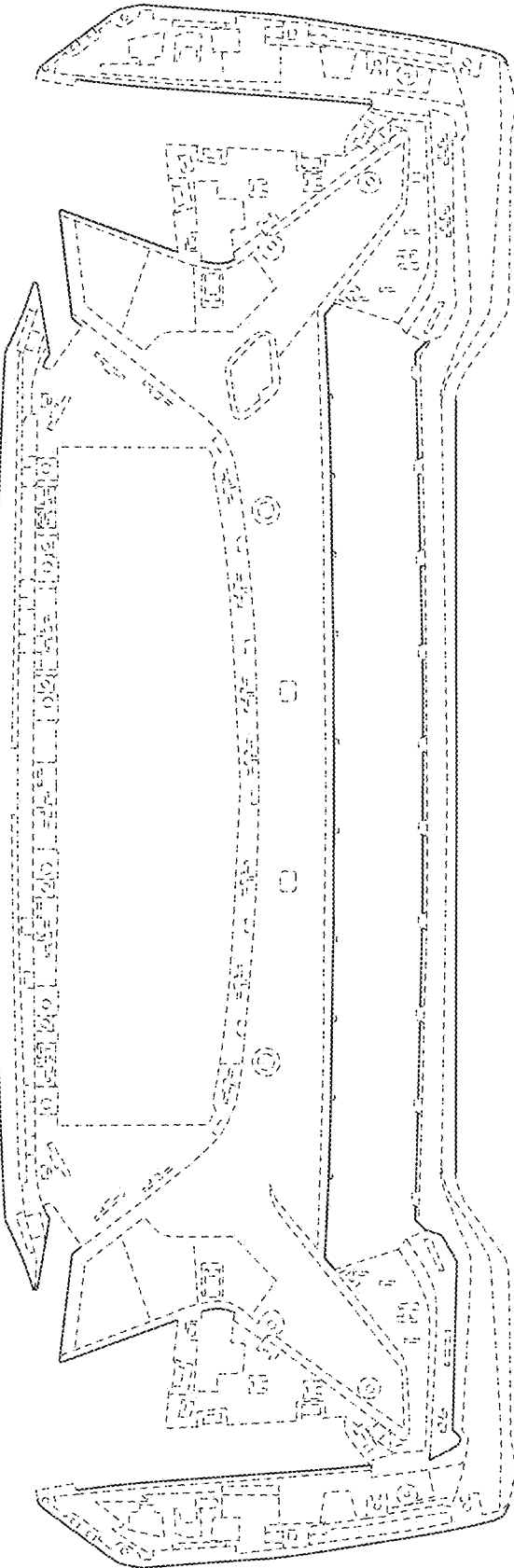


FIG. 5

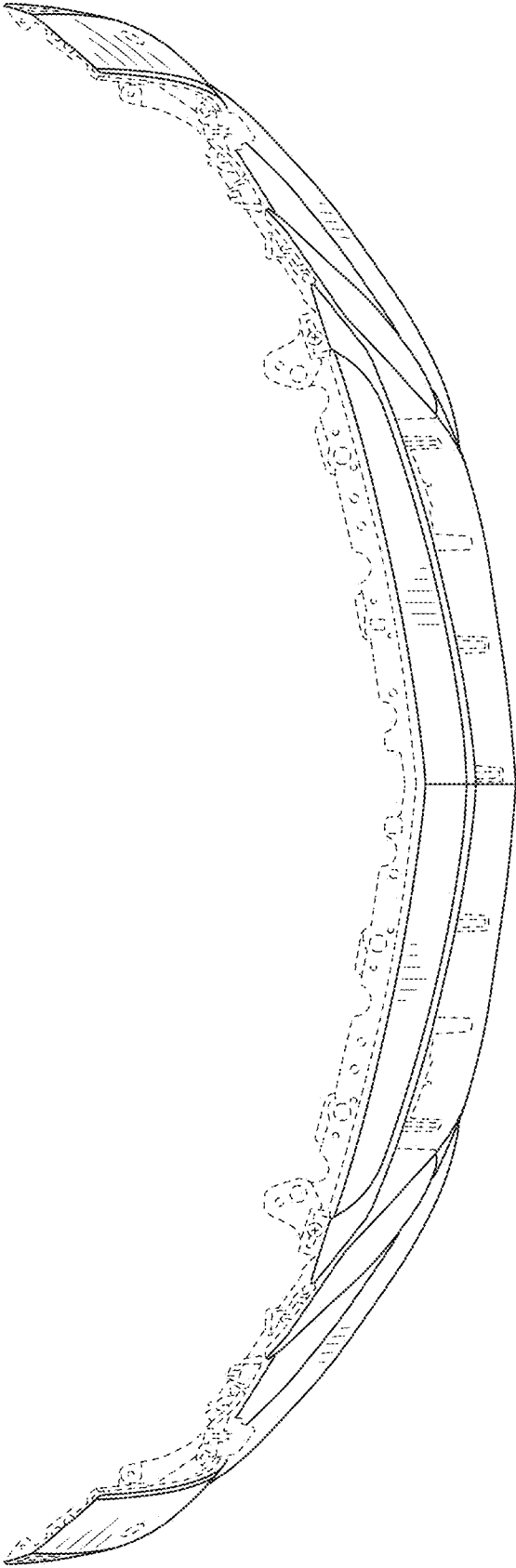


FIG. 6

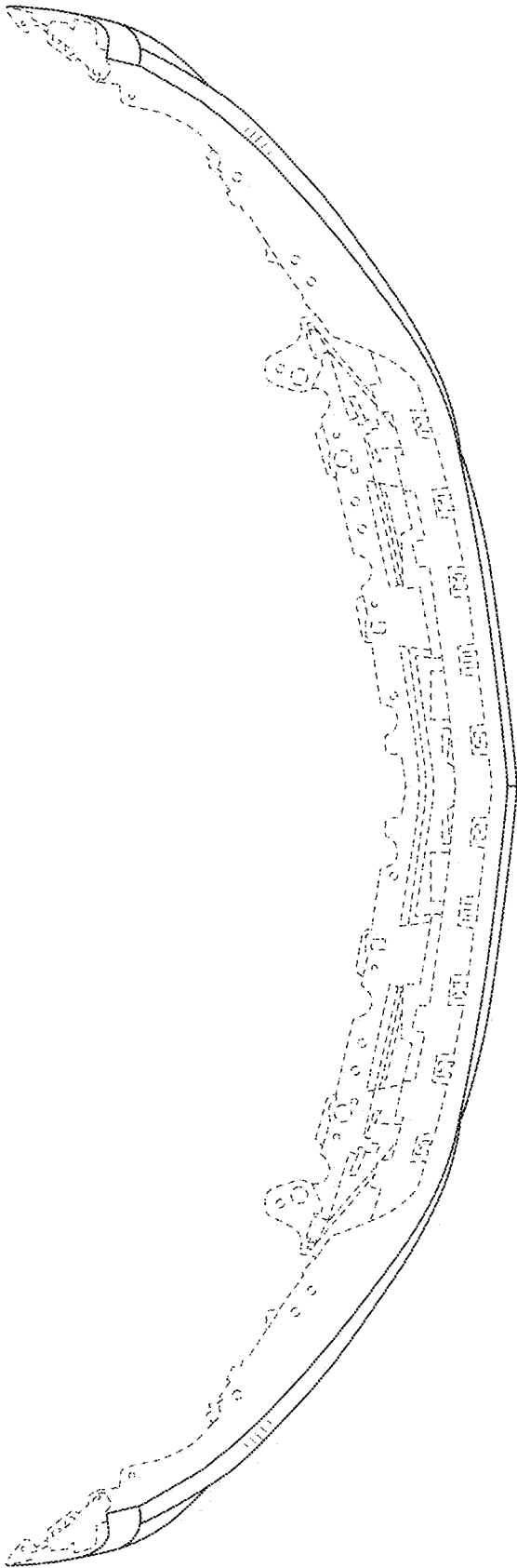


FIG. 7