



US00D453468S

(12) **United States Design Patent** (10) **Patent No.:** **US D453,468 S**
Ziemer et al. (45) **Date of Patent:** **** Feb. 12, 2002**

(54) **SLIDE LATCH**

(75) Inventors: **Lynn B. Ziemer**, Glen Mills; **Eric D. Hyp**, Aspers, both of PA (US)

(73) Assignee: **Southco, Inc.**, Concordville, PA (US)

(**) Term: **14 Years**

(21) Appl. No.: **29/130,049**

(22) Filed: **Sep. 27, 2000**

(51) **LOC (7) Cl.** **08-07**

(52) **U.S. Cl.** **D8/339**

(58) **Field of Search** D8/330, 331, 336, D8/339; 292/137, 175, 150, 190, DIG. 30

(56) **References Cited**

U.S. PATENT DOCUMENTS

5,878,608	A	*	3/1999	Alyanakian	292/175
6,050,618	A	*	4/2000	Tieu	292/175 X
D429,141	S	*	8/2000	Antonucci	D8/331
D438,446	S	*	3/2001	Antonucci	D8/331

OTHER PUBLICATIONS

Southco Handbook 2000, by Southco Inc., © 1999, pp. 110, 111.
Blueprints of latch identified as A3-20 Series Slide Latch, Part No. A3-99-148-12.

* cited by examiner

Primary Examiner—Jennifer Rivard
(74) *Attorney, Agent, or Firm*—Paul & Paul

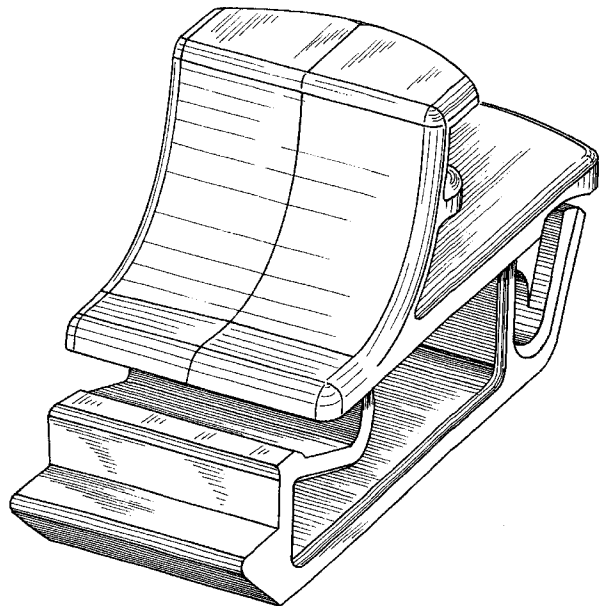
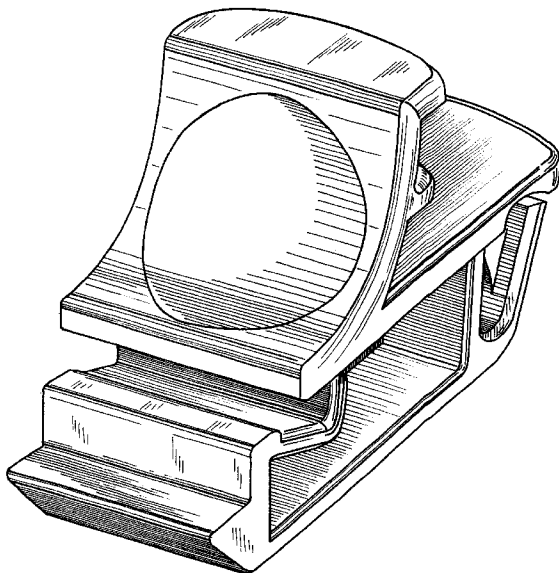
(57) **CLAIM**

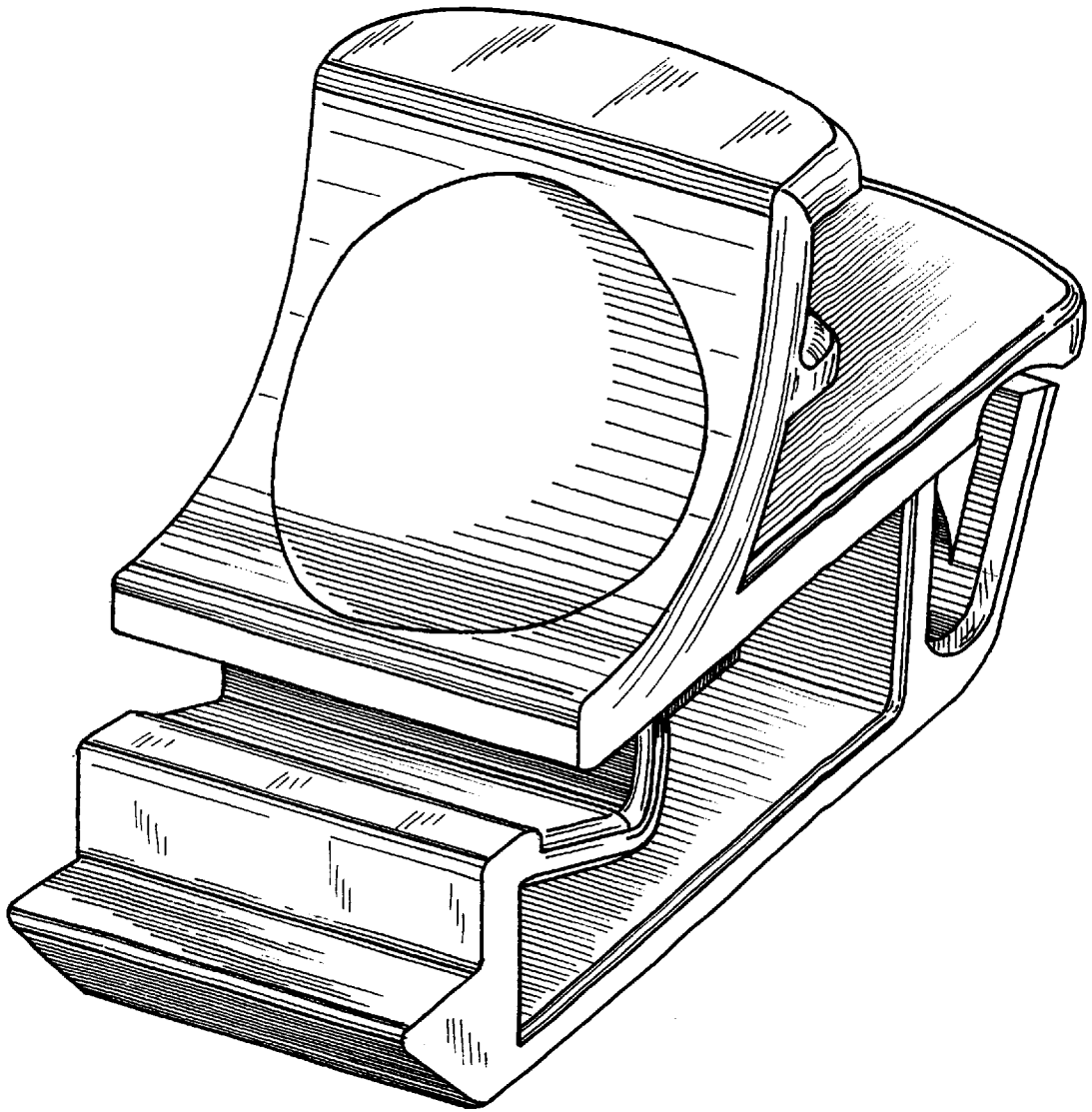
The ornamental design for a slide latch, as shown and described.

DESCRIPTION

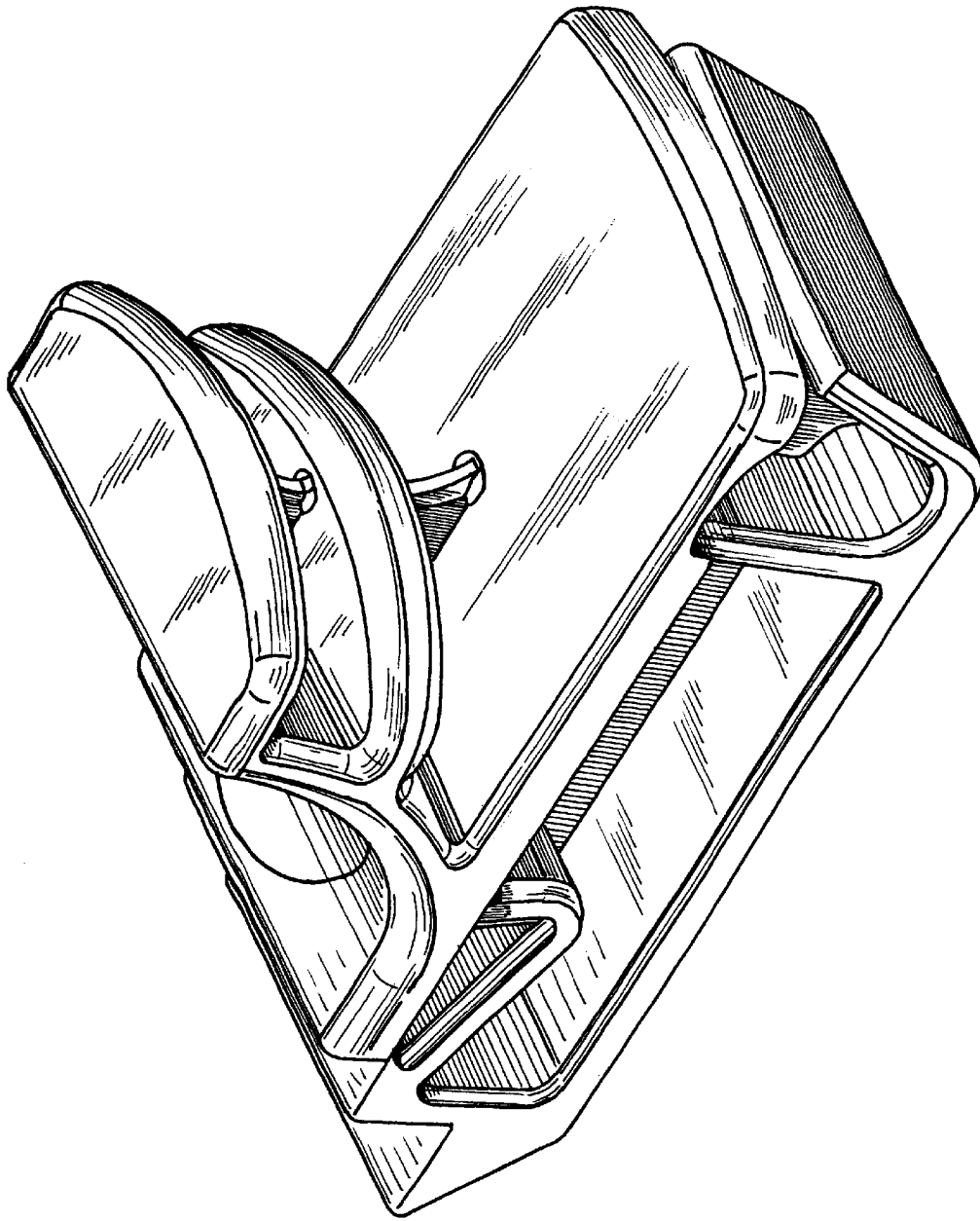
FIG. 1 is a front perspective view of an embodiment of a slide latch embodying the new design; FIG. 2 is a rear perspective view of an embodiment of a slide latch embodying the new design; FIG. 3 is a top view thereof; FIG. 4 is a bottom plan view thereof; FIG. 5 is a right side elevational view thereof; FIG. 6 is a left side elevational view thereof; FIG. 7 is a front elevational view thereof; and FIG. 8 is a rear elevational view thereof. FIG. 9 is a front perspective view of a second embodiment of a slide latch embodying the new design; FIG. 10 is a rear perspective view of a slide latch embodying the new design as shown in FIG. 9; FIG. 11 is a top plan view thereof; FIG. 12 is a bottom plan view thereof; FIG. 13 is a right side elevational view thereof; FIG. 14 is a left side elevational view thereof; FIG. 15 is a front elevational view thereof; and FIG. 16 is a rear elevational view thereof.

1 Claim, 16 Drawing Sheets

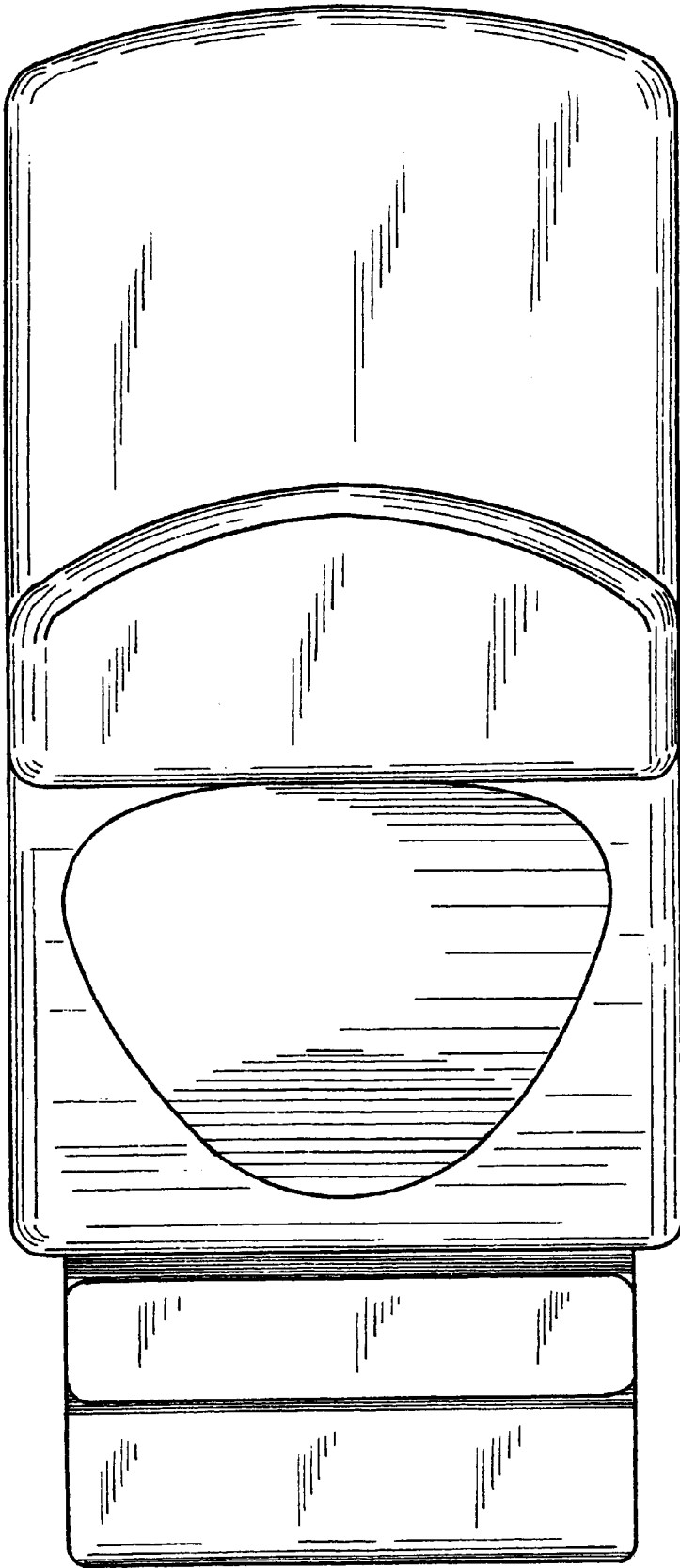




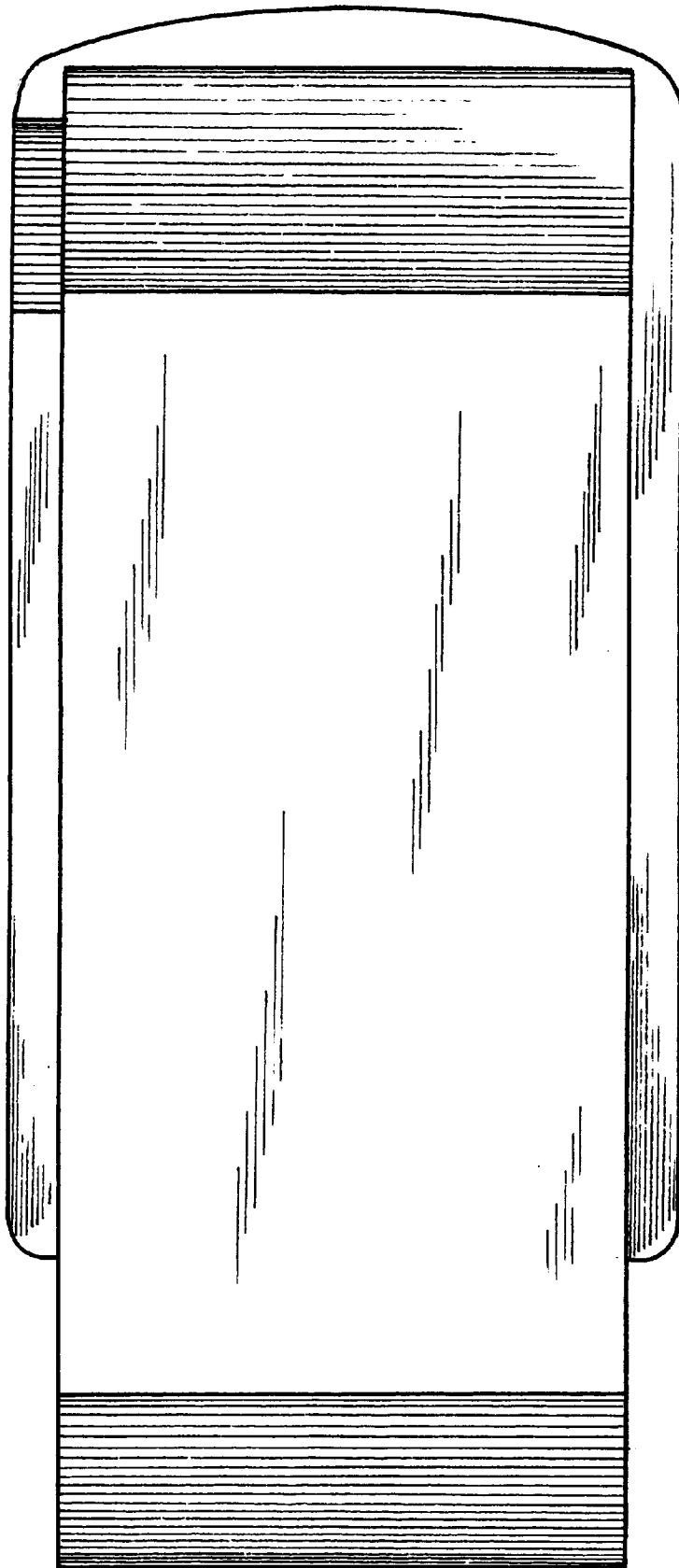
F I G . 1



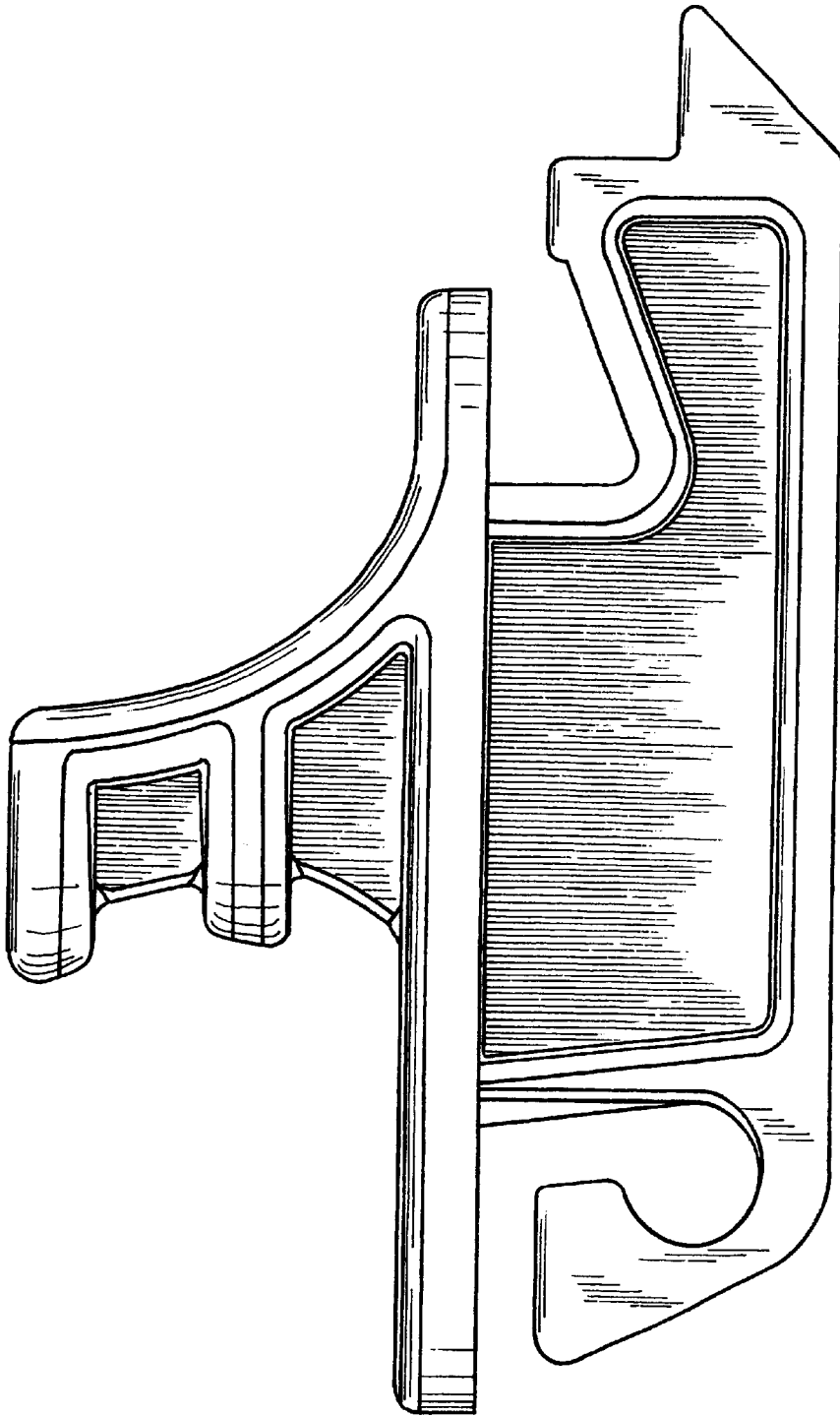
F I G . 2



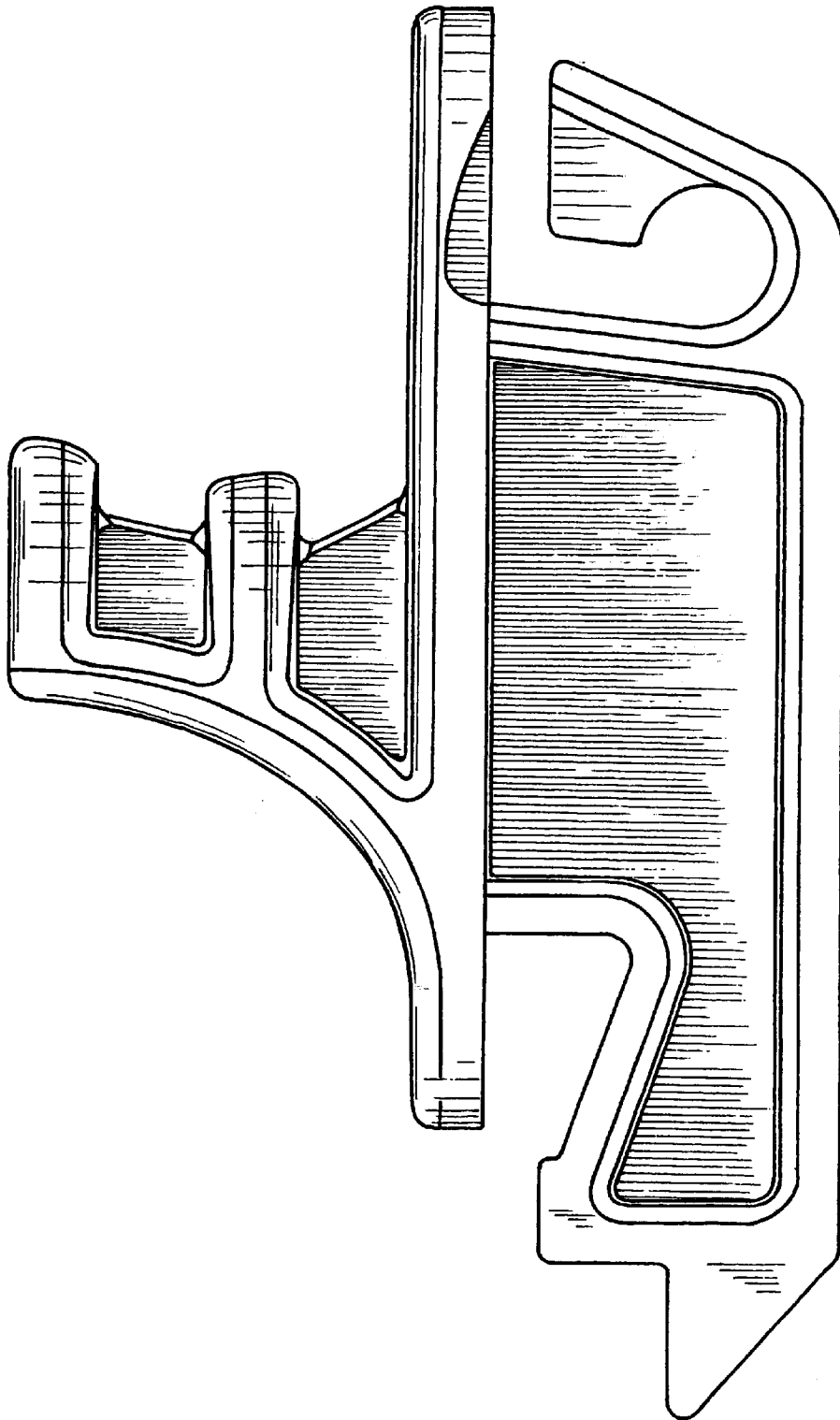
F I G . 3



F I G . 4



F I G . 5



F I G . 6

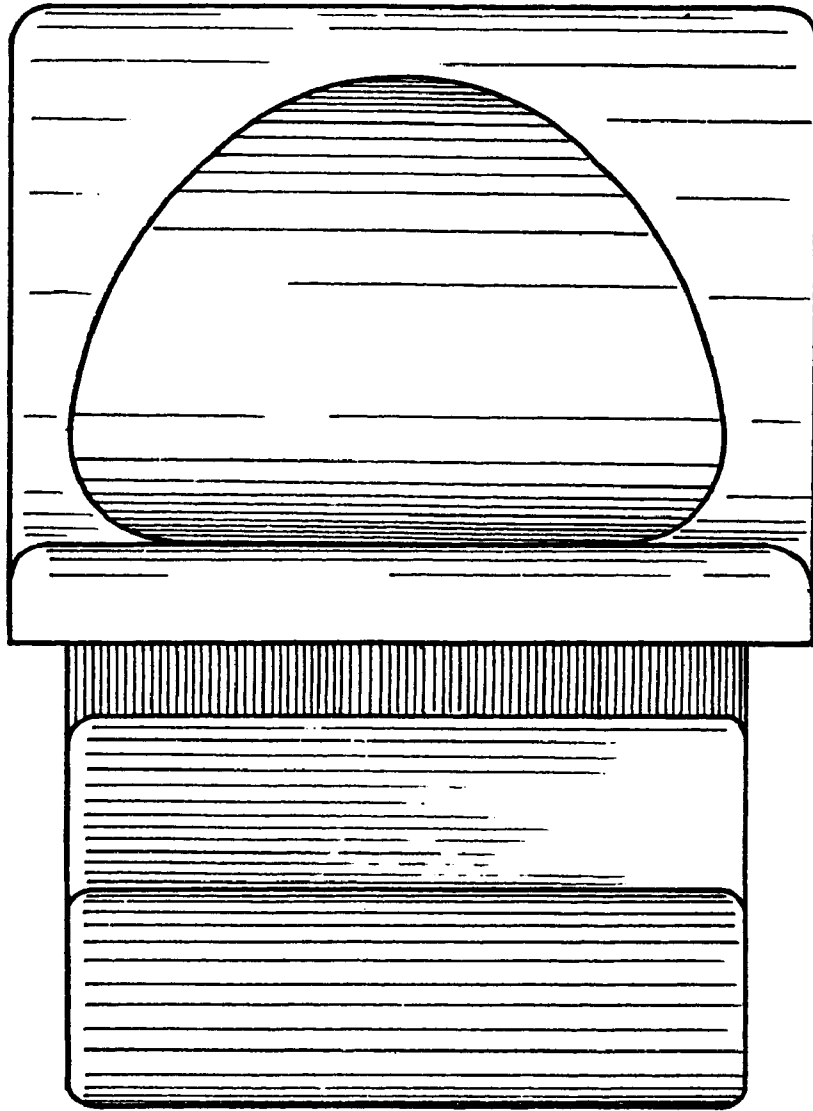
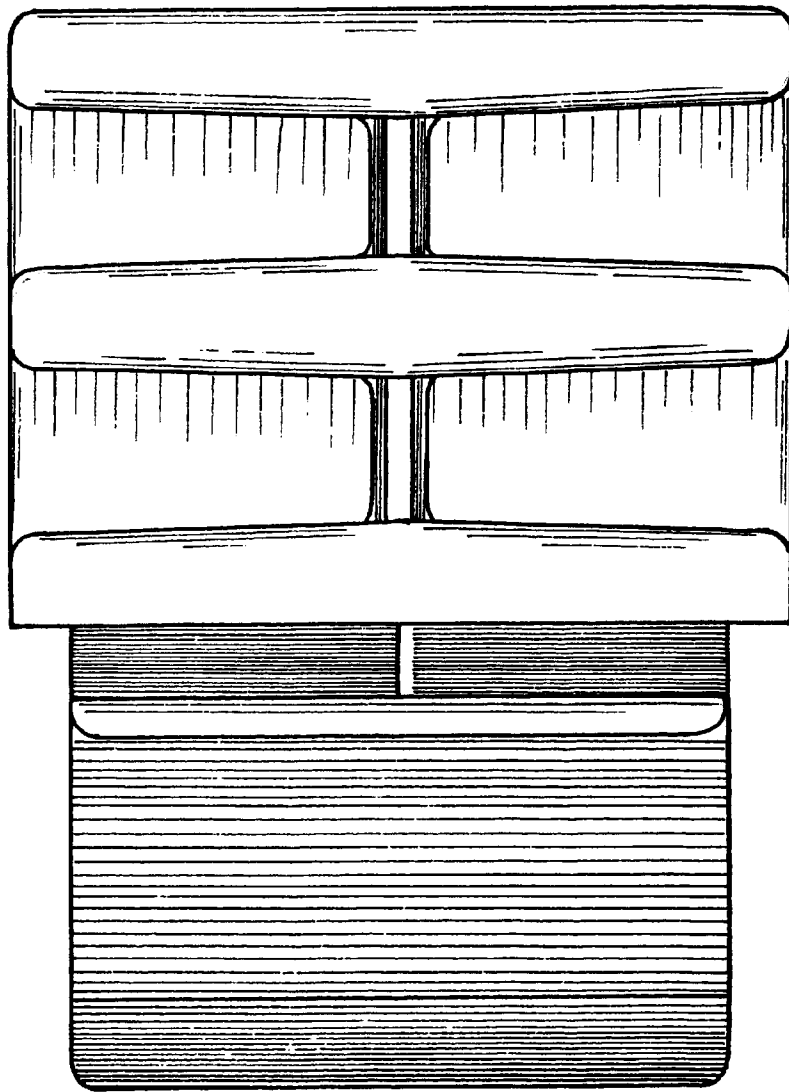
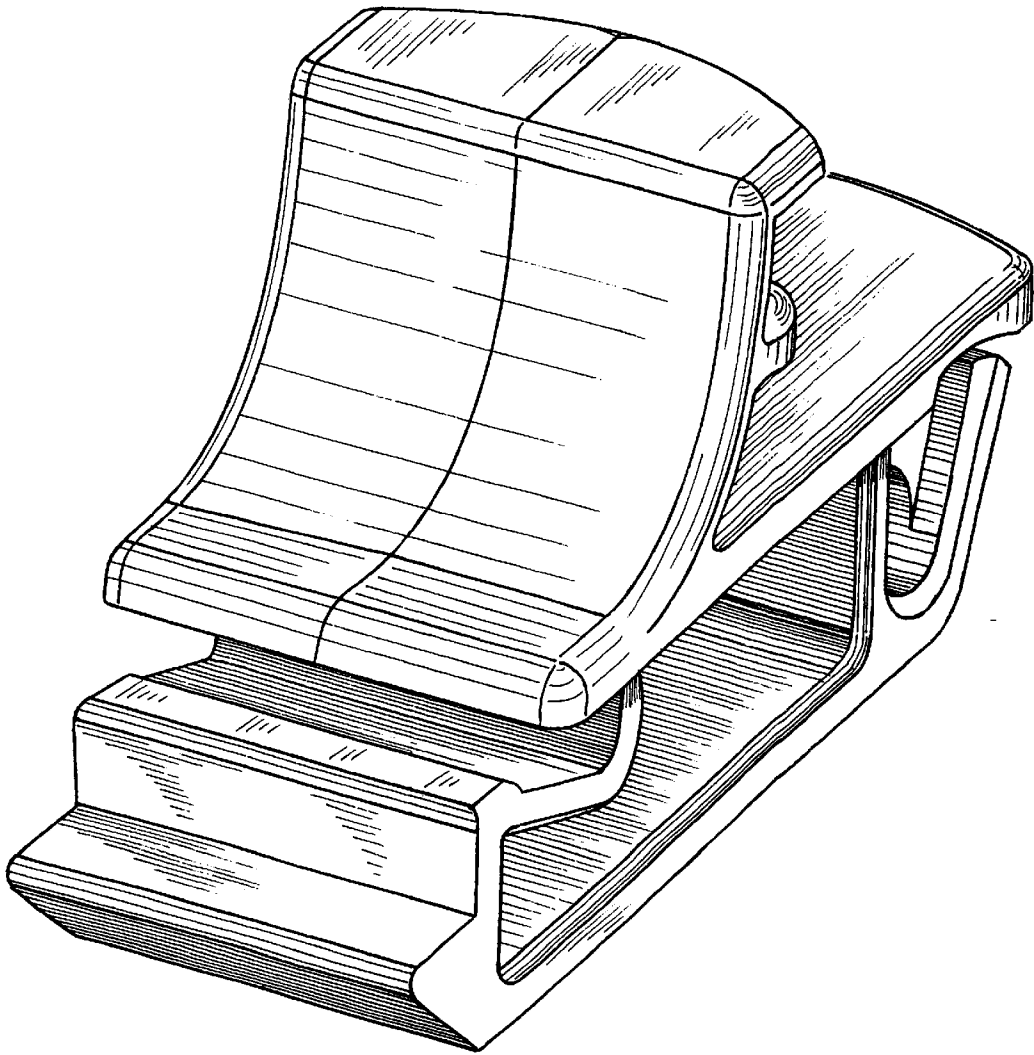


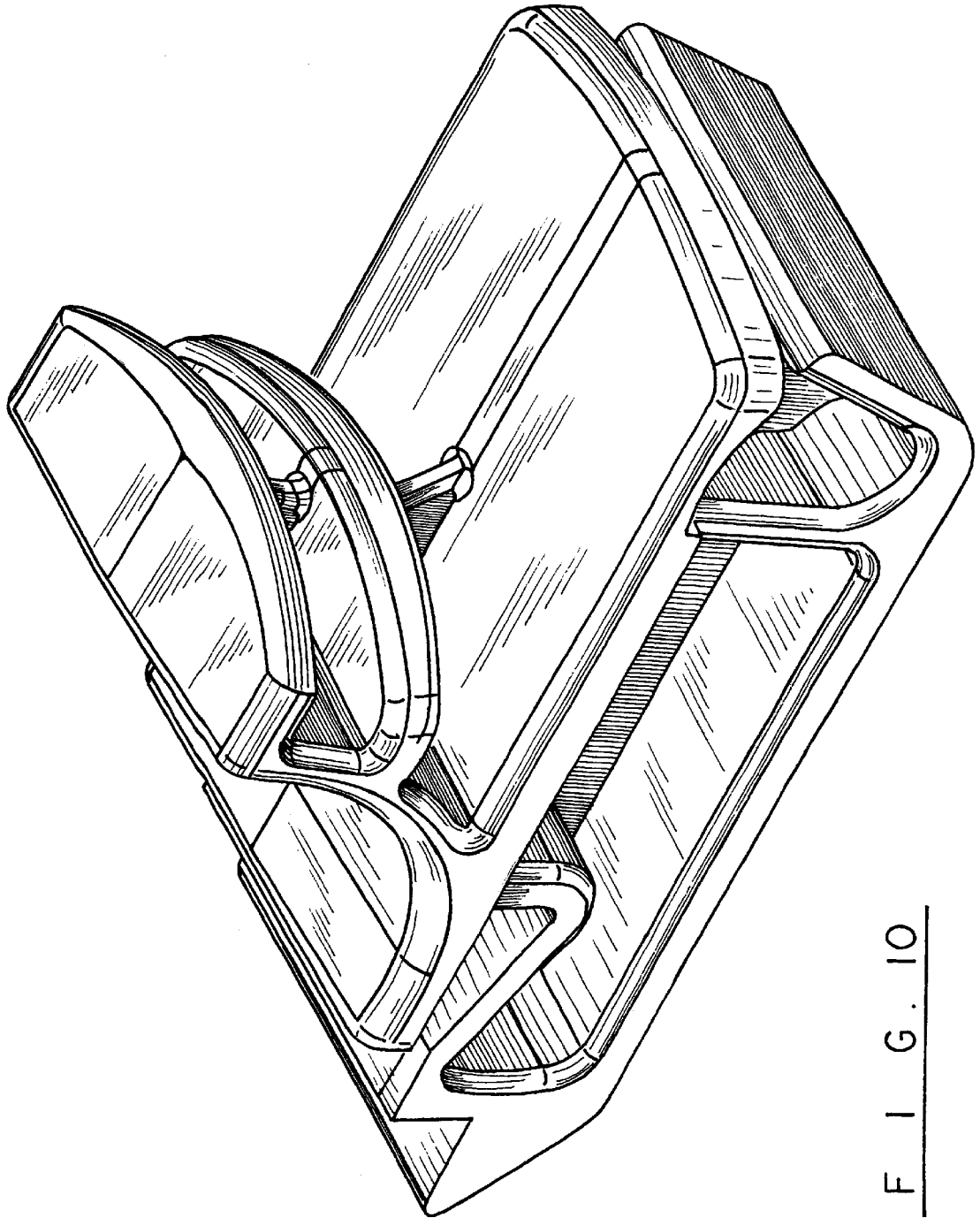
FIG. 7



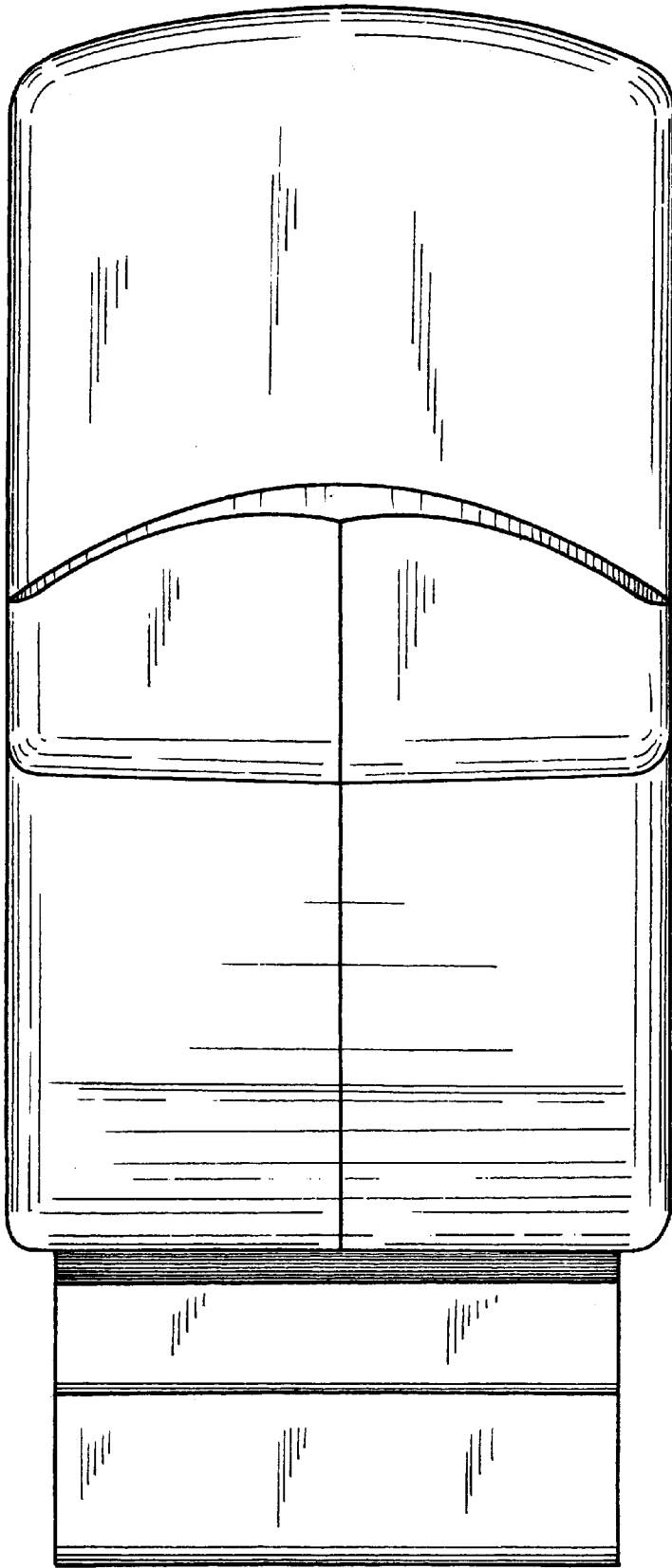
F I G . 8



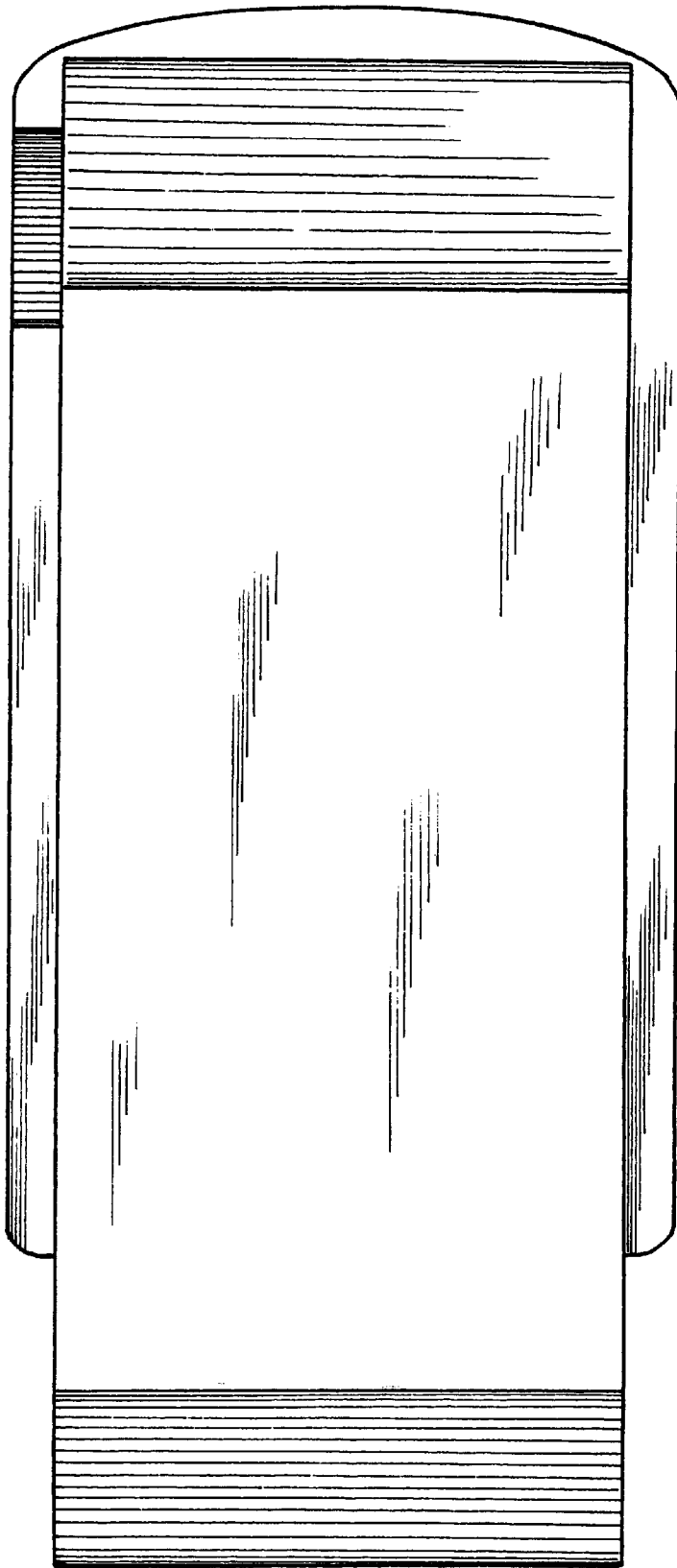
F I G . 9



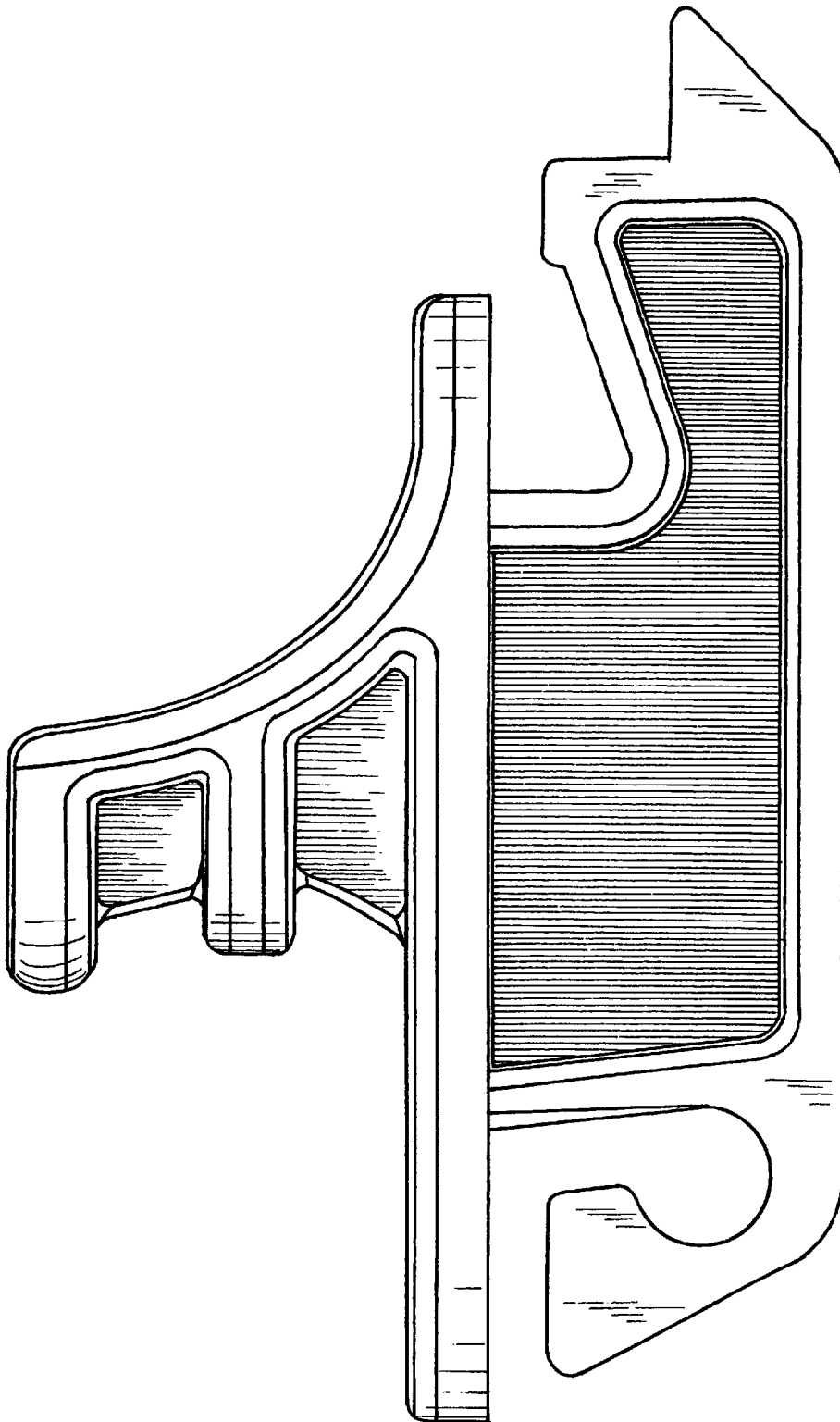
F I G . 10



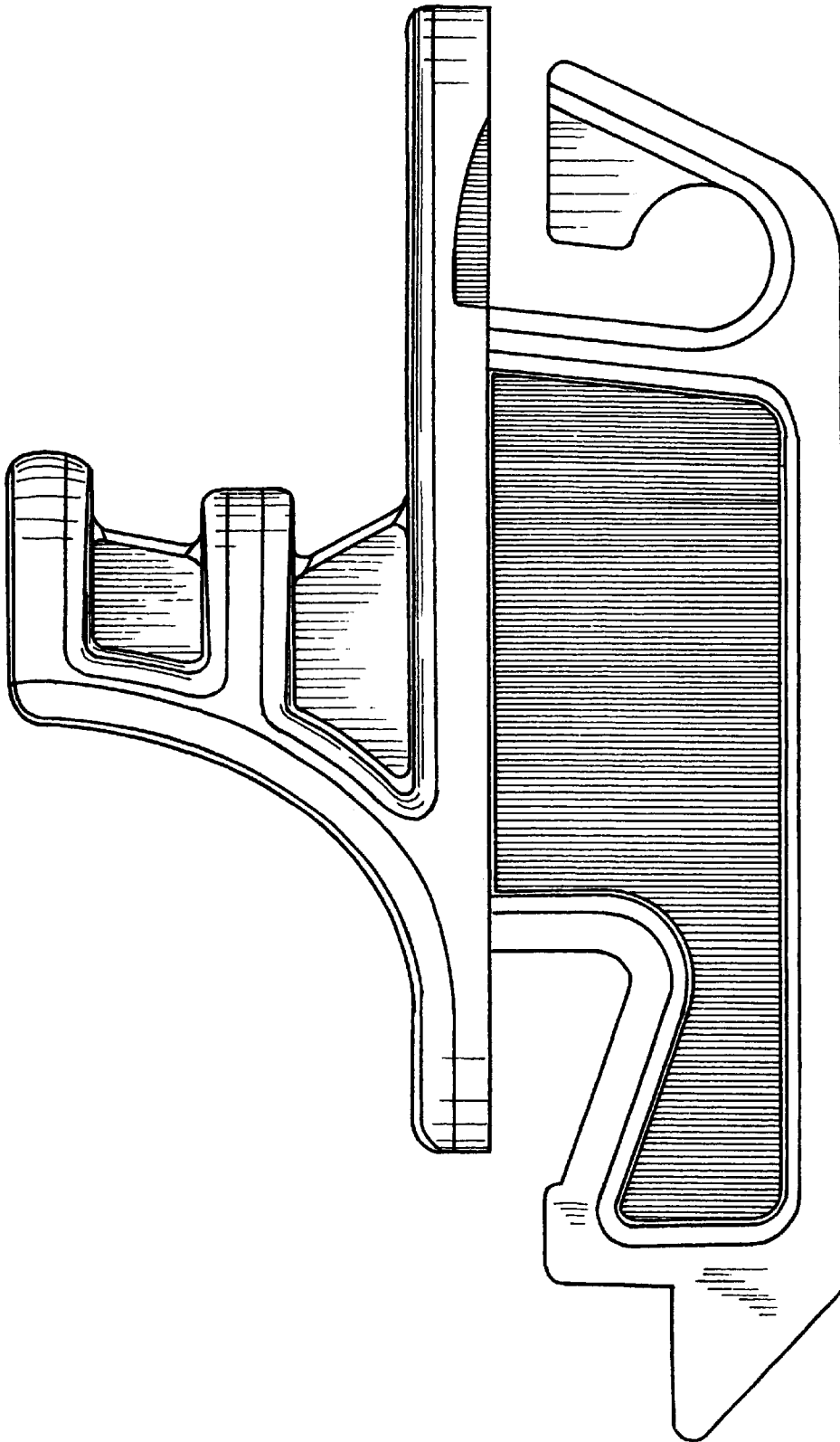
F I G . 1 1



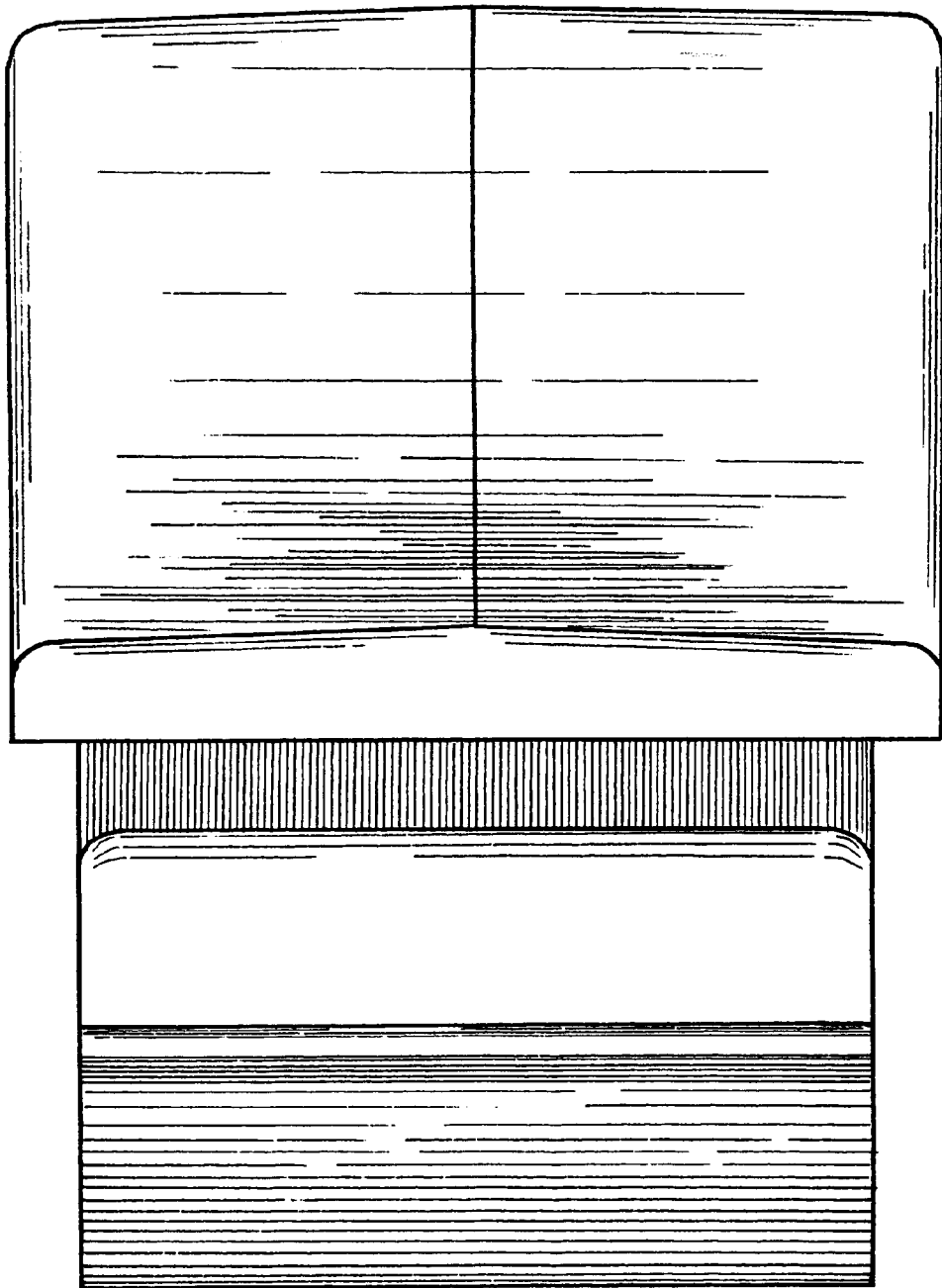
F I G . 12



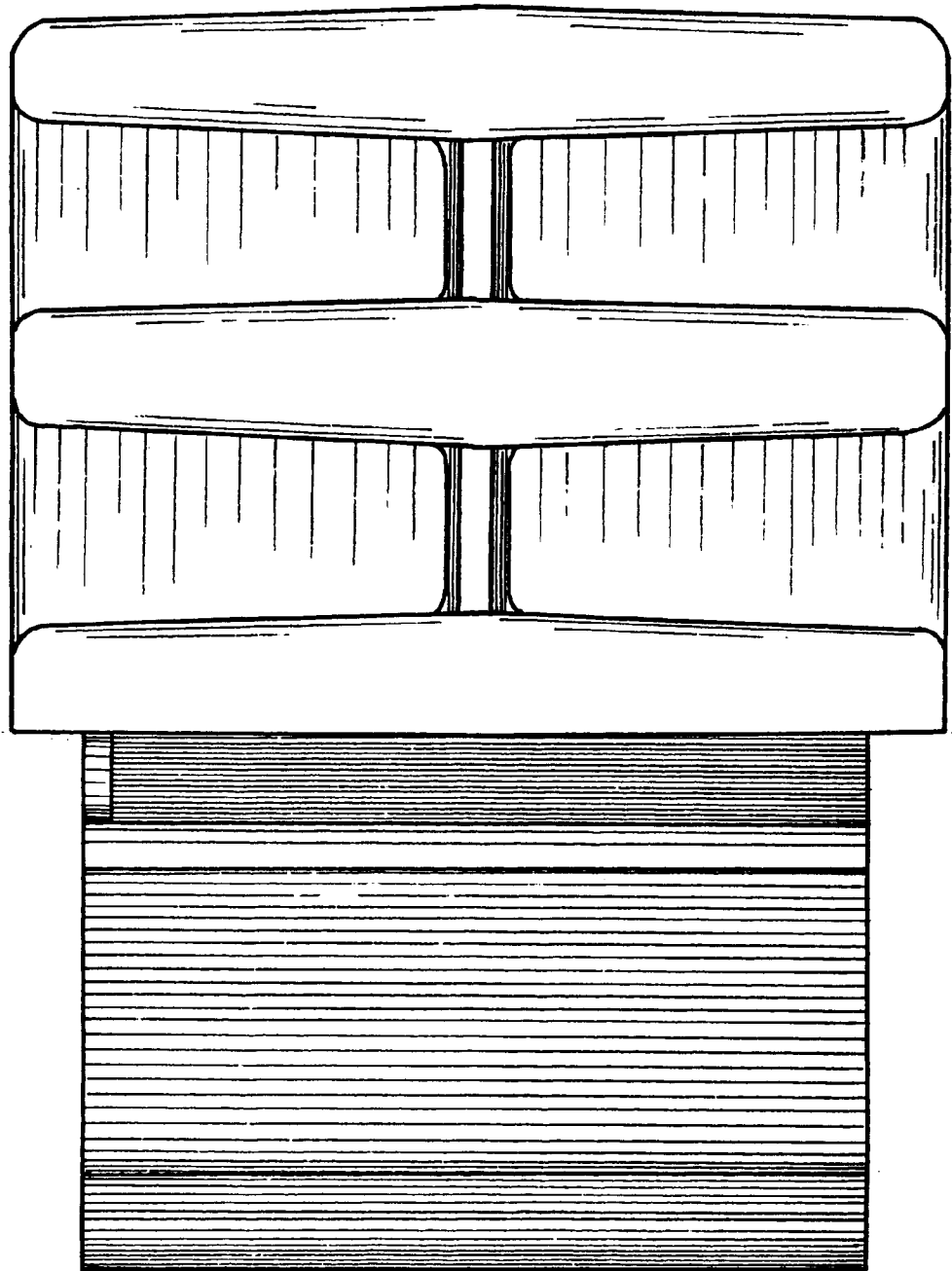
F I G . 13



F I G . 1 4



F I G . 1 5



F I G . 1 6

UNITED STATES PATENT AND TRADEMARK OFFICE
CERTIFICATE OF CORRECTION

PATENT NO. : Des. 453,468 S
DATED : February 12, 2002
INVENTOR(S) : Lynn B. Ziemer and Eric D. Hyp

Page 1 of 1

It is certified that error appears in the above-identified patent and that said Letters Patent is hereby corrected as shown below:

Title page,

DESCRIPTION,

“FIG. 3 is a top view thereof;” should read -- FIG. 3 is a top plan view thereof; --

Signed and Sealed this

Eleventh Day of March, 2003

A handwritten signature in black ink, appearing to read "James E. Rogan", written over a horizontal line.

JAMES E. ROGAN
Director of the United States Patent and Trademark Office