



US00D609216S

(12) **United States Design Patent**
Davies et al.

(10) **Patent No.:** **US D609,216 S**

(45) **Date of Patent:** **** *Feb. 2, 2010**

(54) **SPEAKER BOX**

(75) Inventors: **Christopher Lee Davies**, Long Beach, CA (US); **Bernie Hawkins**, Long Beach, CA (US); **Gerald Wayne Tschetter**, Santa Ana, CA (US); **Lorenzo Rene Barrios, Jr.**, Covina, CA (US); **Myk W. Lum**, Irvine, CA (US); **Adam C. Wade**, Rancho Santa Margarita, CA (US)

(73) Assignee: **QSC Audio Products, LLC**, Costa Mesa, CA (US)

(**) Term: **14 Years**

(21) Appl. No.: **29/322,112**

(22) Filed: **Jul. 29, 2008**

(51) **LOC (9) Cl.** **14-01**

(52) **U.S. Cl.** **D14/214**

(58) **Field of Classification Search** D14/204, D14/210-216, 172; 181/143-144, 147-148, 181/150-153, 157, 198-199; 381/300-303, 381/306, 332-333, 336, 345, 361-364, 386-388
See application file for complete search history.

(56) **References Cited**

U.S. PATENT DOCUMENTS

- D405,086 S * 2/1999 Goto D14/214
- D405,088 S * 2/1999 Chen D14/214
- D439,238 S * 3/2001 Mackie et al. D14/214
- D497,899 S * 11/2004 Weikel et al. D14/214

* cited by examiner

Primary Examiner—Nanda Bondade

(74) *Attorney, Agent, or Firm*—Crowell & Moring LLP

(57) **CLAIM**

The ornamental design for a speaker box, as shown and described.

DESCRIPTION

FIG. 1 is a perspective view of a first embodiment of a speaker box according to our novel design;

FIG. 2 is a top view thereof;

FIG. 3 is a front view thereof;

FIG. 4 is a side view thereof, taken from the left of FIG. 3;

FIG. 5 is a side view thereof taken from the right of FIG. 3;

FIG. 6 is a rear view thereof;

FIG. 7 is a bottom view thereof;

FIG. 8 is a perspective view of another embodiment of a speaker box according to our novel design; and

FIG. 9 is a top view of the speaker box of FIG. 8;

FIG. 10 is a front view of the speaker box of FIG. 8;

FIG. 11 is a side view, taken from the left of FIG. 10;

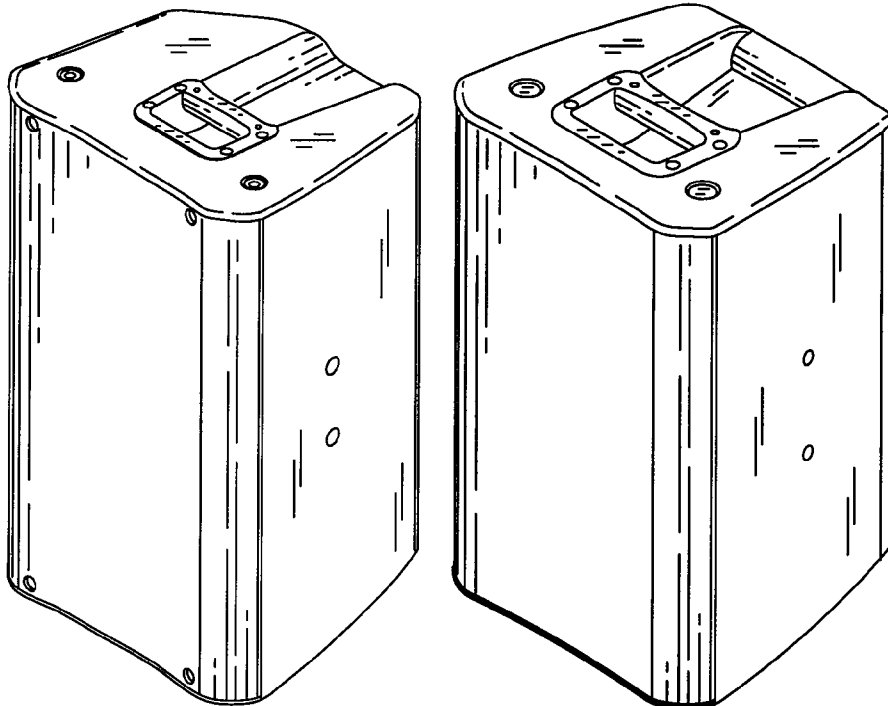
FIG. 12 is a side view, taken from the right of FIG. 10;

FIG. 13 is a rear view of the speaker box of FIG. 8; and

FIG. 14 is a bottom view of FIG. 8.

The broken lines are for illustrative purposes only and form no part of the claimed design.

1 Claim, 4 Drawing Sheets



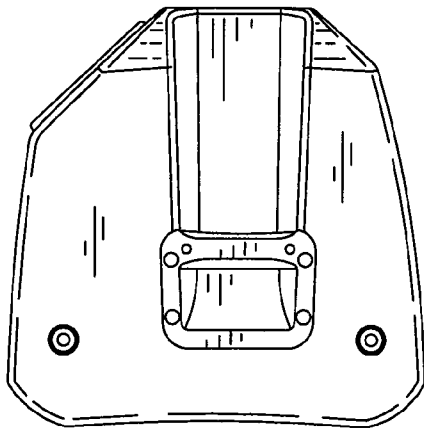


Fig. 2

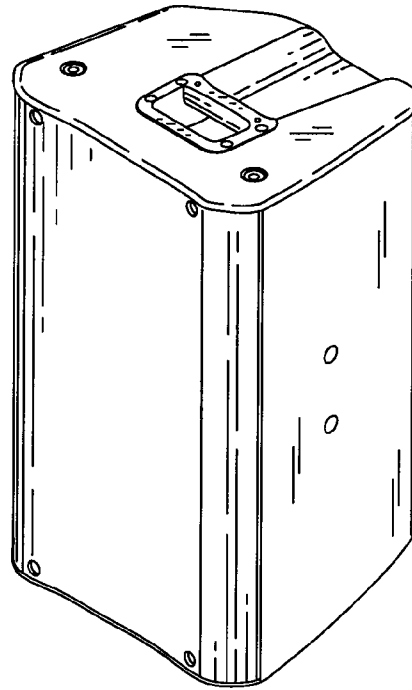


Fig. 1

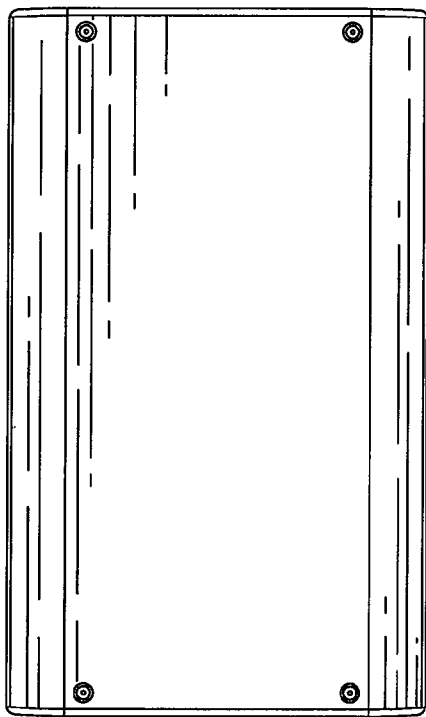


Fig. 3

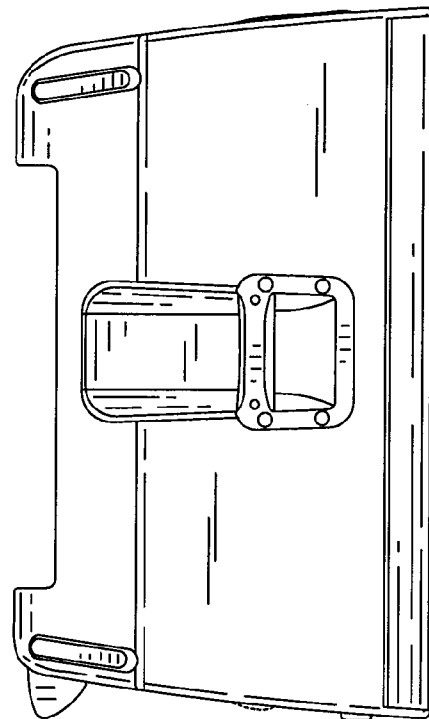


Fig. 4

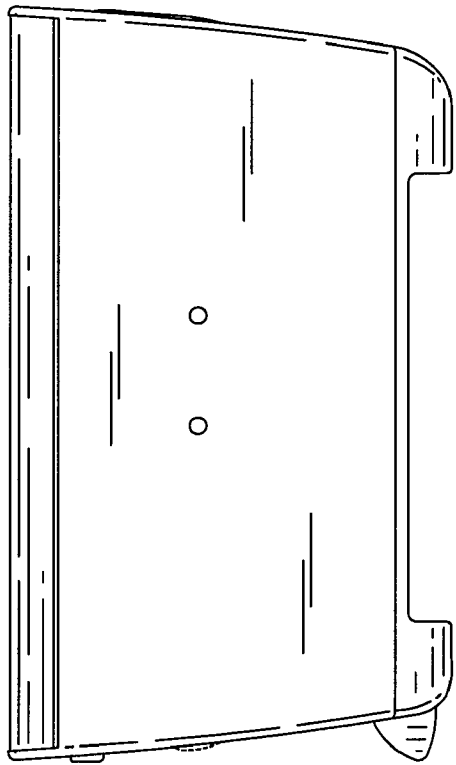


Fig. 5

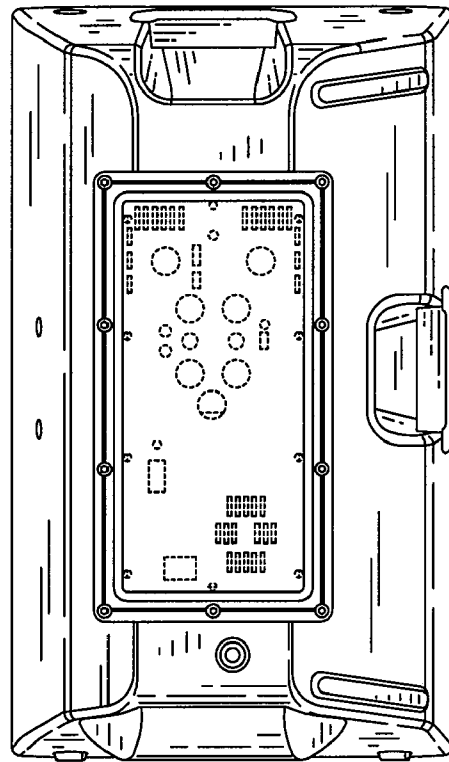


Fig. 6

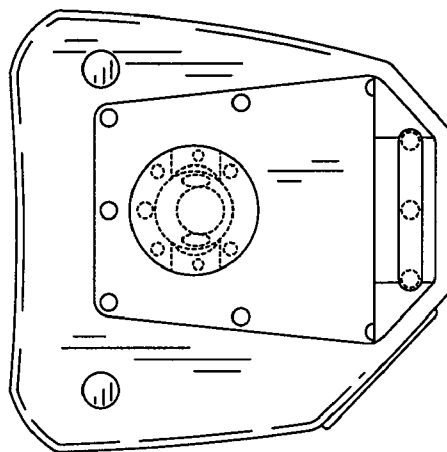


Fig. 7

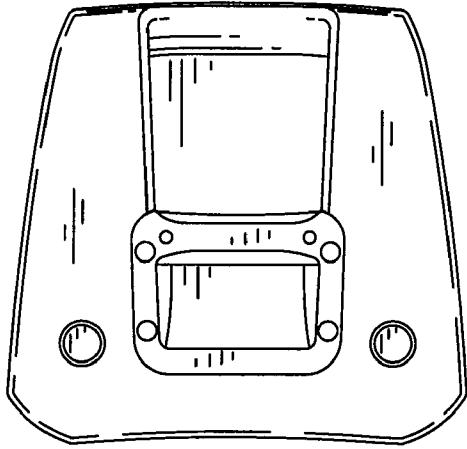


Fig. 9

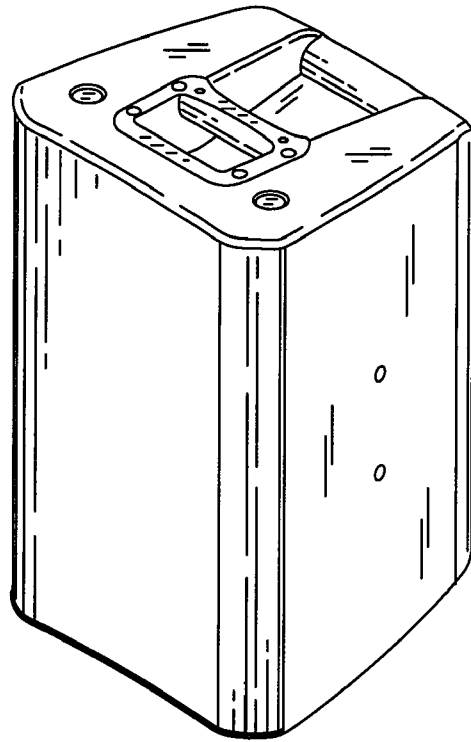


Fig. 8

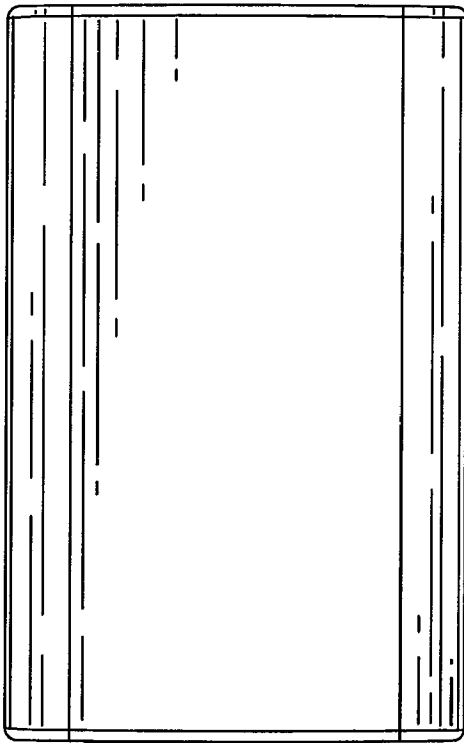


Fig. 10

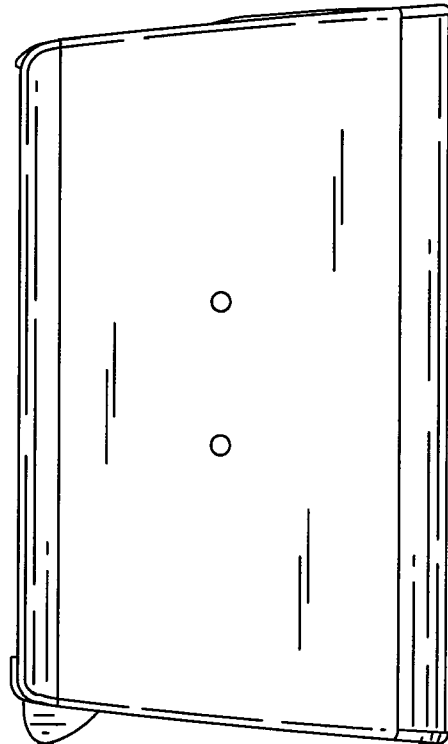


Fig. 11

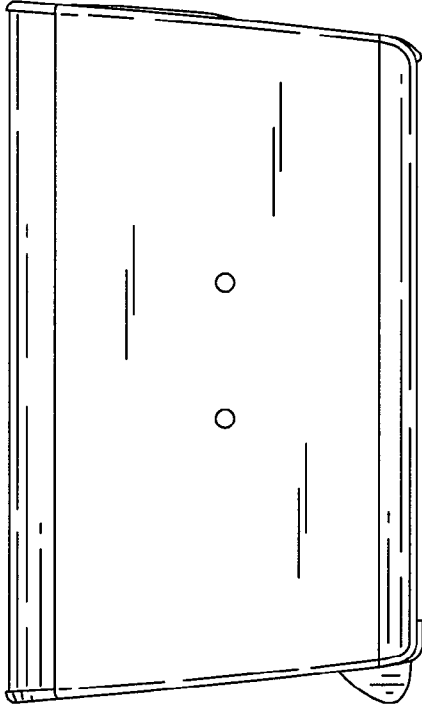


Fig. 12

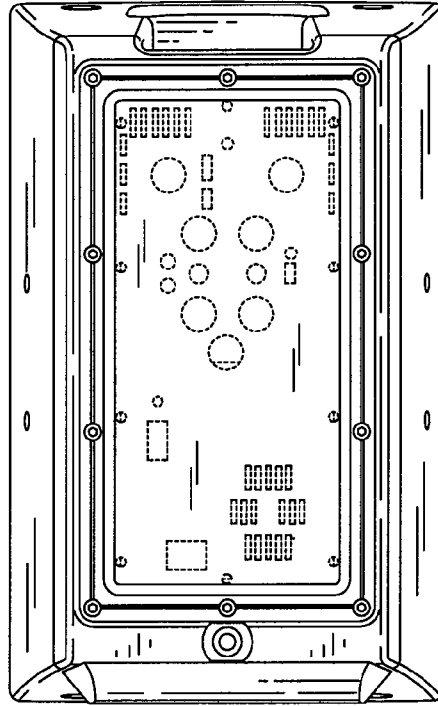


Fig. 13

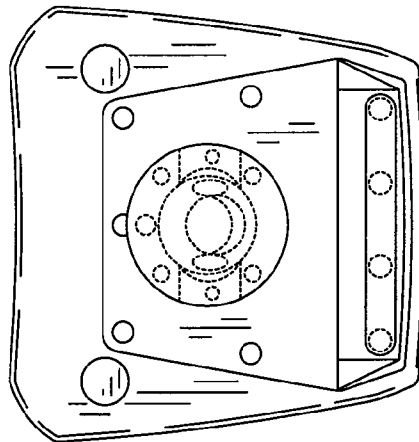


Fig. 14