



US00D404546S

United States Patent [19]
Isenberg

[11] **Patent Number: Des. 404,546**

[45] **Date of Patent: **Jan. 26, 1999**

[54] **POCKET FOR FOOTWEAR**

[76] Inventor: **Robert Isenberg**, 9 Rolfe Rd.,
Lexington, Mass. 02173

[**] Term: **14 Years**

[21] Appl. No.: **78,473**

[22] Filed: **Oct. 27, 1997**

[51] **LOC (6) Cl.** **02-04**

[52] **U.S. Cl.** **D2/946; D2/905**

[58] **Field of Search** D2/905, 946, 976;
36/136, 114, 1

4,485,496	12/1984	Shanks, Jr.	2/247
4,507,882	4/1985	Harrell	36/136
4,547,982	10/1985	Gamm	36/114
4,612,714	9/1986	Gamm	36/136
4,630,383	12/1986	Gamm	36/136
4,638,579	1/1987	Gamm	36/136
4,644,673	2/1987	Gamm	36/136
4,697,363	10/1987	Gamm	36/136
4,726,128	2/1988	Lin	36/132
5,094,016	3/1992	DiVito	36/136
5,311,679	5/1994	Birch, Sr.	36/136

Primary Examiner—Doris V. Coles
Attorney, Agent, or Firm—Wolf, Greenfield & Sacks, P.C.

[57] **CLAIM**

The ornamental design for a pocket for footwear, as shown and described.

DESCRIPTION

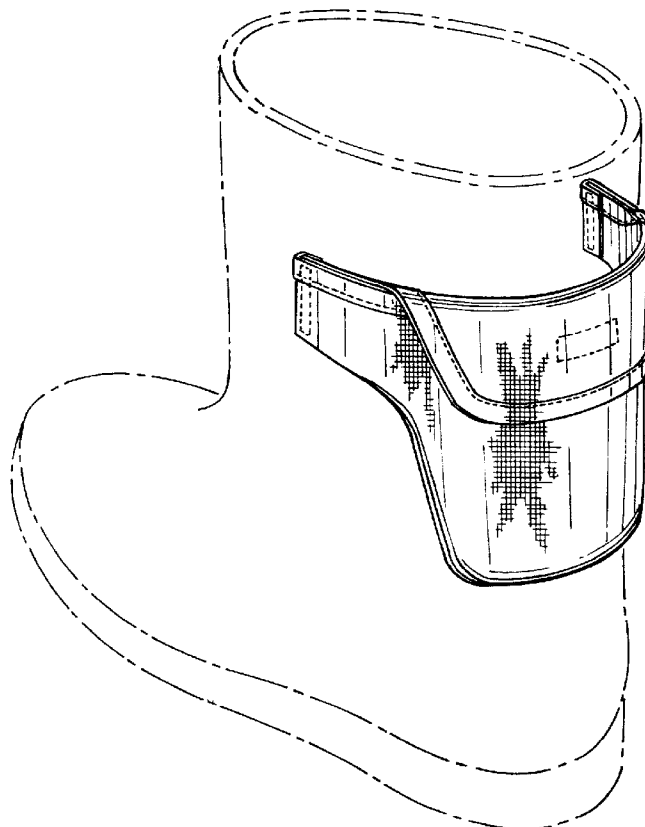
FIG. 1 is a front perspective view of a pocket for footwear, showing my new design;
FIG. 2 is a front elevational view thereof;
FIG. 3 is a left side elevational view thereof, the right side being a mirror image thereof;
FIG. 4 is a top plan view thereof;
FIG. 5 is a bottom plan view thereof; and,
FIG. 6 is a front perspective view thereof with the pocket open.
The broken line showing of a boot in FIG. 1 is for illustrative purposes only and forms no part of the claimed design.

1 Claim, 2 Drawing Sheets

[56] **References Cited**

U.S. PATENT DOCUMENTS

36,381	9/1862	Willard	36/136
D. 106,649	10/1937	Casey	D2/905
D. 277,615	2/1985	Gamm	D2/905
D. 277,616	2/1985	Gamm	D2/905
348,233	8/1886	Phalan	36/136
D. 356,664	3/1995	Cesaretti	D2/905
D. 358,932	6/1995	Barton et al.	D3/226
D. 382,691	8/1997	Fuller et al.	D2/946
1,289,341	12/1918	Wirsching .	
2,712,700	7/1955	Solomon	36/1
2,908,982	10/1959	Corley	36/1
4,280,287	7/1981	Gulbransen	36/136
4,296,559	10/1981	Gamm	36/136
4,384,414	5/1983	Gamm	36/132
4,471,539	9/1984	Mann	36/11.5



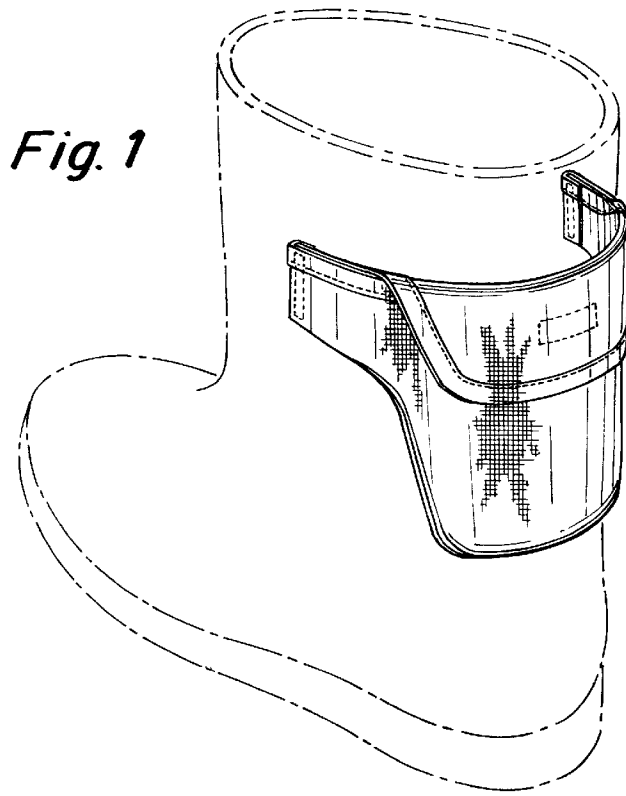


Fig. 4



Fig. 3

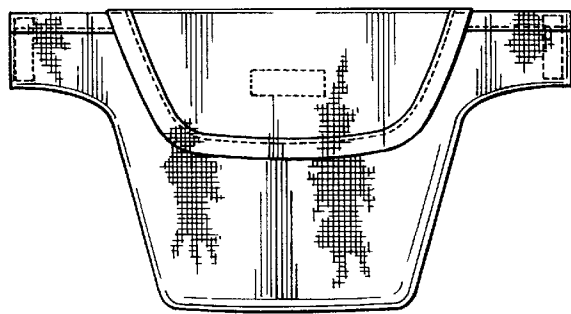


Fig. 2

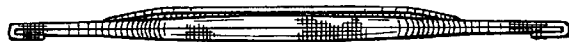


Fig. 5

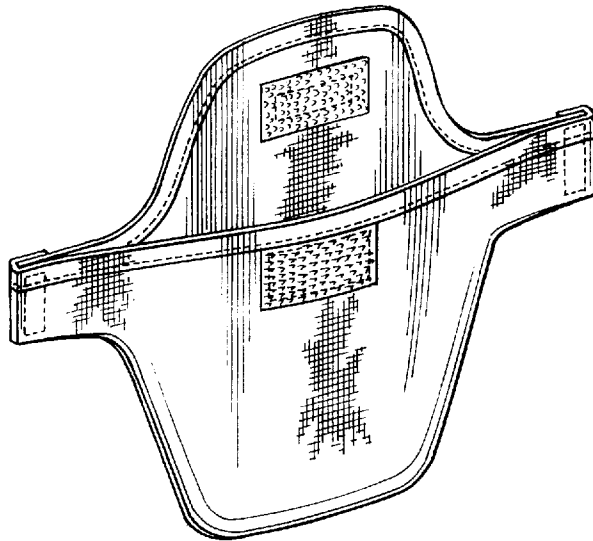


Fig. 6