



(12) **United States Design Patent**
Asano

(10) **Patent No.:** **US D810,023 S**
(45) **Date of Patent:** **** Feb. 13, 2018**

(54) **ELECTRIC CONNECTOR**
(71) Applicant: **HOSIDEN CORPORATION**, Osaka (JP)
(72) Inventor: **Takao Asano**, Gunma (JP)
(73) Assignee: **Hosiden Corporation**, Osaka (JP)
(**) Term: **15 Years**
(21) Appl. No.: **29/579,143**
(22) Filed: **Sep. 28, 2016**

D585,025 S * 1/2009 Kudo D13/133
D628,158 S * 11/2010 Skidmore D13/146
D679,254 S * 4/2013 Svelnis D13/133
D679,662 S * 4/2013 Svelnis D13/133
D682,217 S * 5/2013 Katayanagi D13/147
D682,790 S * 5/2013 Katayanagi D13/147
2016/0294089 A1 * 10/2016 Kobayashi H01R 13/187

* cited by examiner

Primary Examiner — Mary Ann Calabrese
Assistant Examiner — Catherine Ho
(74) *Attorney, Agent, or Firm* — Dilworth & Barrese, LLP

(30) **Foreign Application Priority Data**

Apr. 14, 2016 (JP) 2016-008286

(51) **LOC (11) Cl.** **13-03**

(52) **U.S. Cl.**
USPC **D13/133**

(58) **Field of Classification Search**
USPC D13/101, 102, 103, 106, 107, 108, 110, D13/116, 118, 123, 133, 134, 135, 146, D13/147, 148, 149, 150, 151, 153, 154, D13/155, 156, 159, 161, 173, 184, 199
CPC ... H01R 4/00; H01R 4/60; H01R 4/66; H01R 13/00; H01R 13/44; H01R 13/52; H01R 13/58; H01R 13/62; H01R 13/64; H01R 13/66; H01R 24/38; H01R 43/00; H01R 43/18; H01R 43/22; H01R 9/05; G02B 6/38; H02G 3/06

See application file for complete search history.

(56) **References Cited**

U.S. PATENT DOCUMENTS

4,627,759 A * 12/1986 Kato H01R 13/6215 403/13
D585,024 S * 1/2009 Kudo D13/133

(57) **CLAIM**

The ornamental design for an electric connector, as shown and described.

DESCRIPTION

FIG. 1 is a front elevational view of an electric connector showing my new design;
FIG. 2 is a rear elevational view thereof;
FIG. 3 is a left side elevational view thereof, the right side elevational view being a mirror image thereof;
FIG. 4 is a top plan view thereof;
FIG. 5 is a bottom plan view thereof;
FIG. 6 is a front left side perspective view from above thereof;
FIG. 7 is an inverted front right side perspective view from below thereof; and,
FIG. 8 is an enlarged sectional view thereof taken in the direction of line 8-8 of FIG. 4.
The broken line portion of the figure drawings is included to show portions of the article that forms no part of the claimed design.

1 Claim, 8 Drawing Sheets

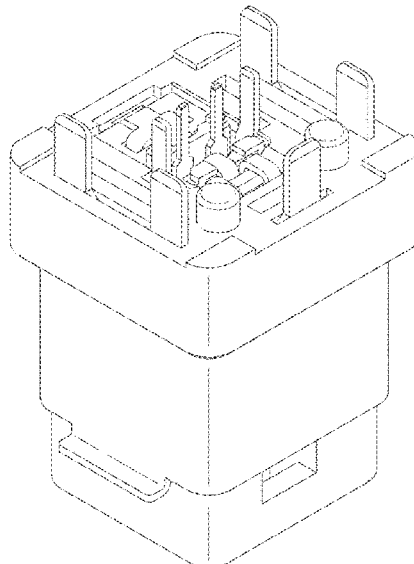
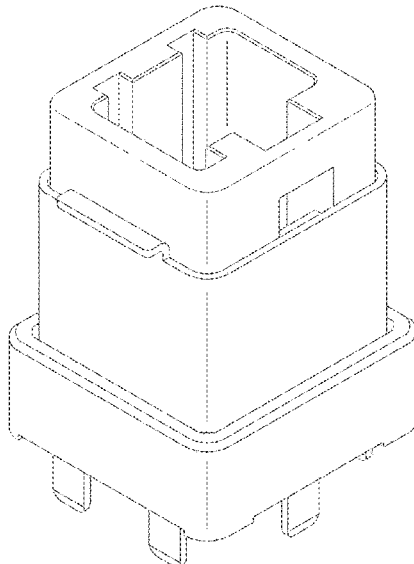


Fig.1

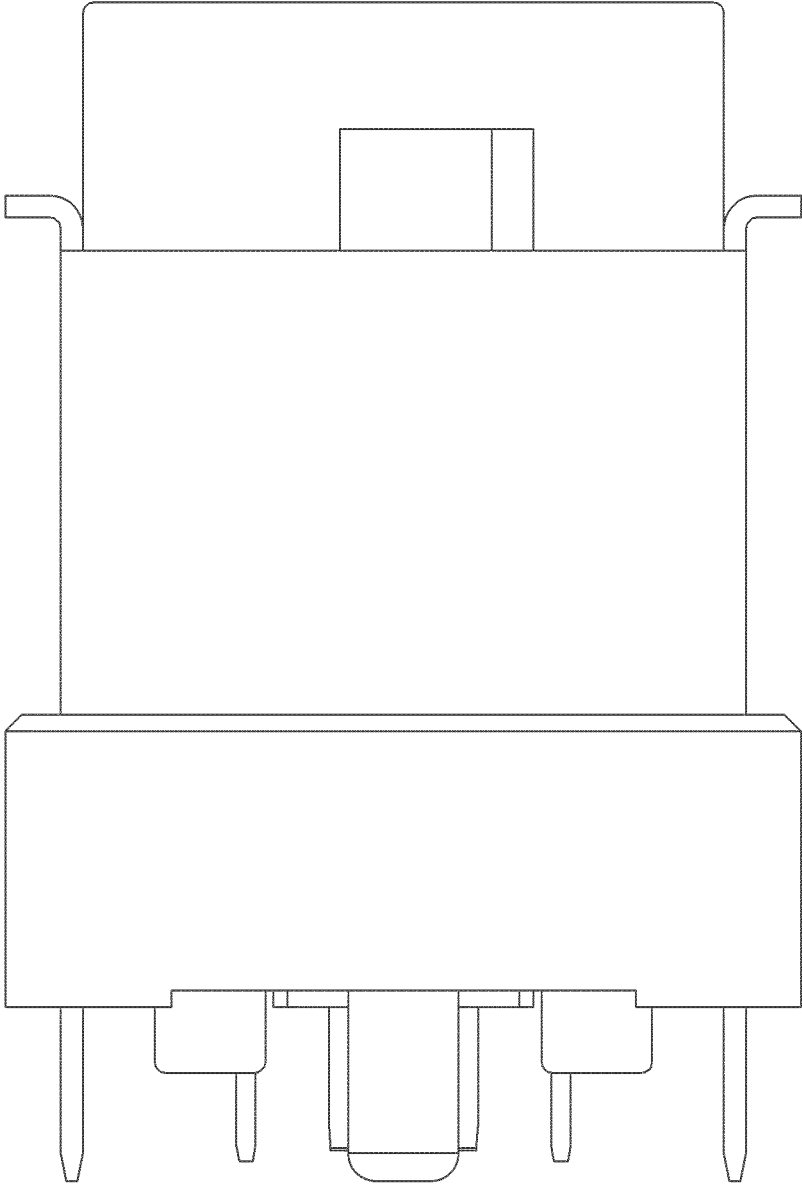


Fig.2

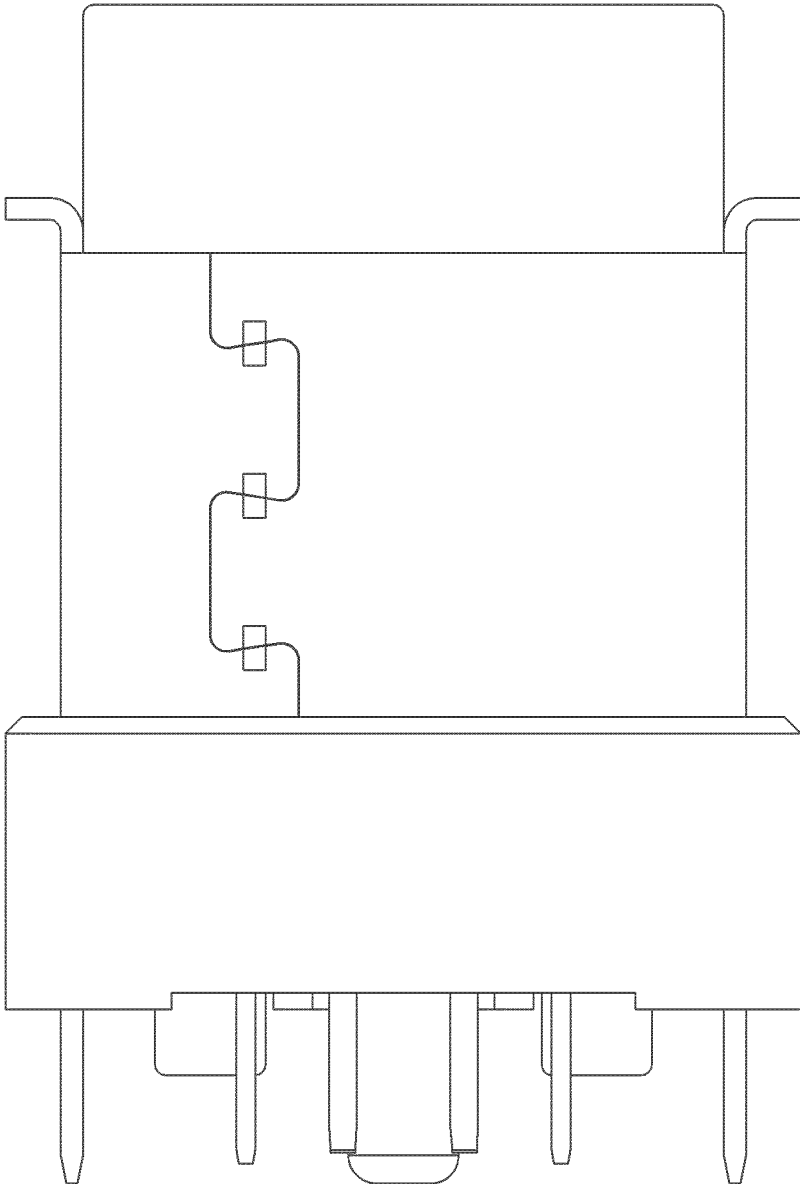


Fig.3

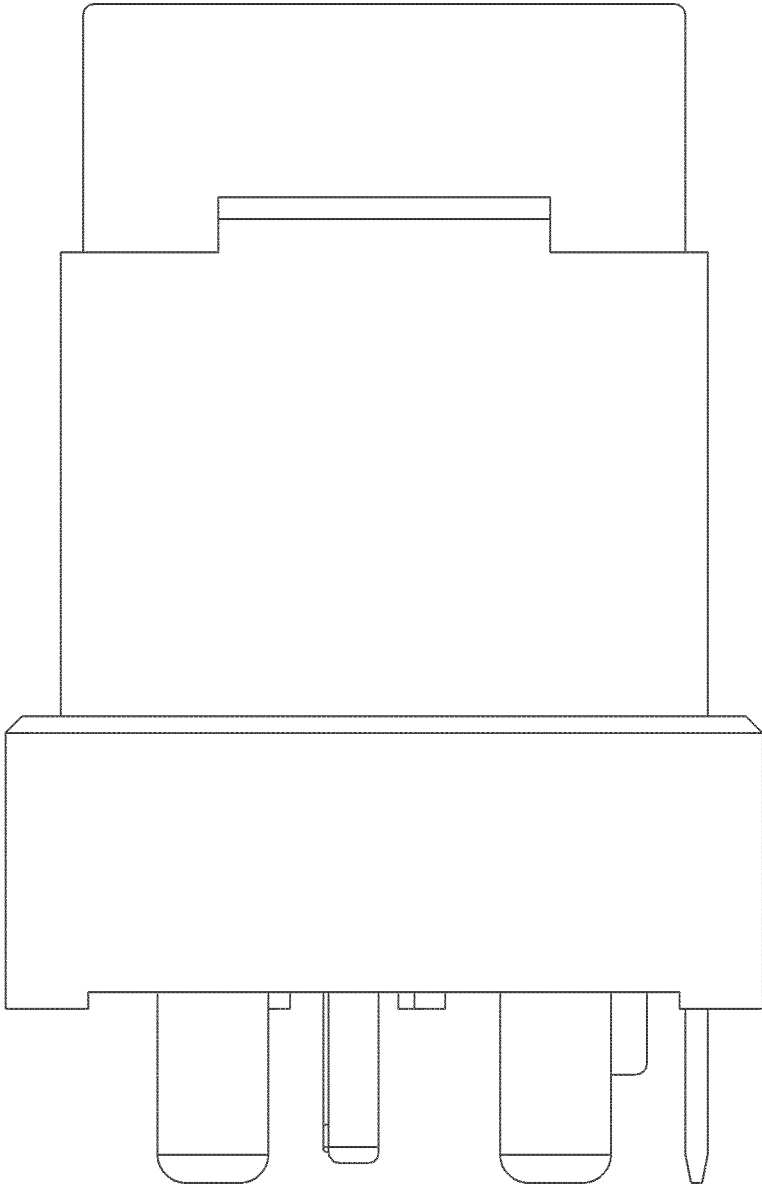


Fig.4

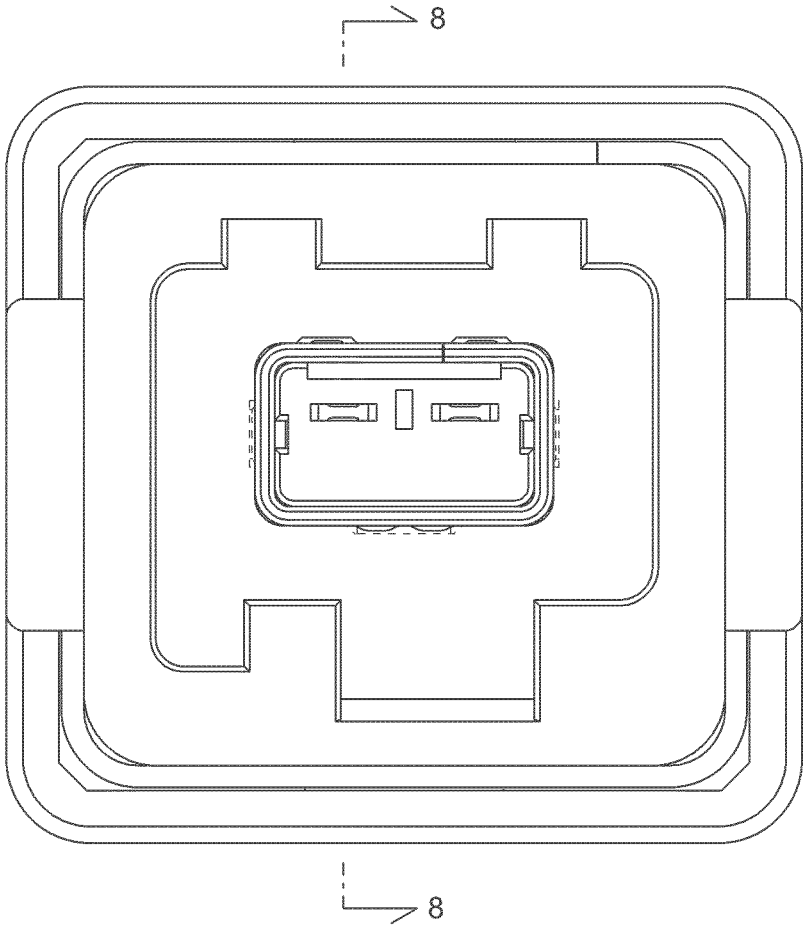


Fig.5

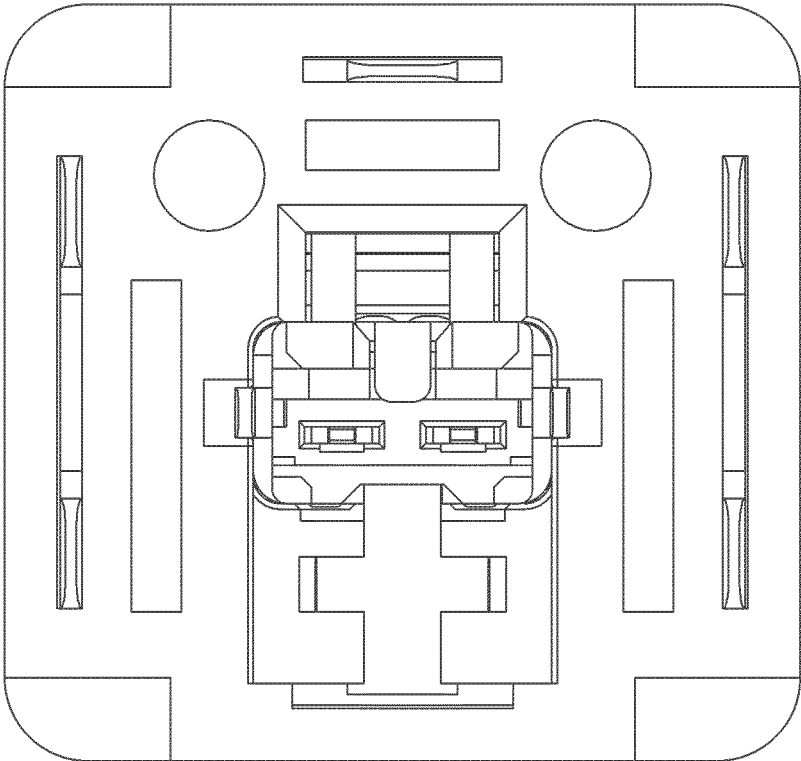


Fig.6

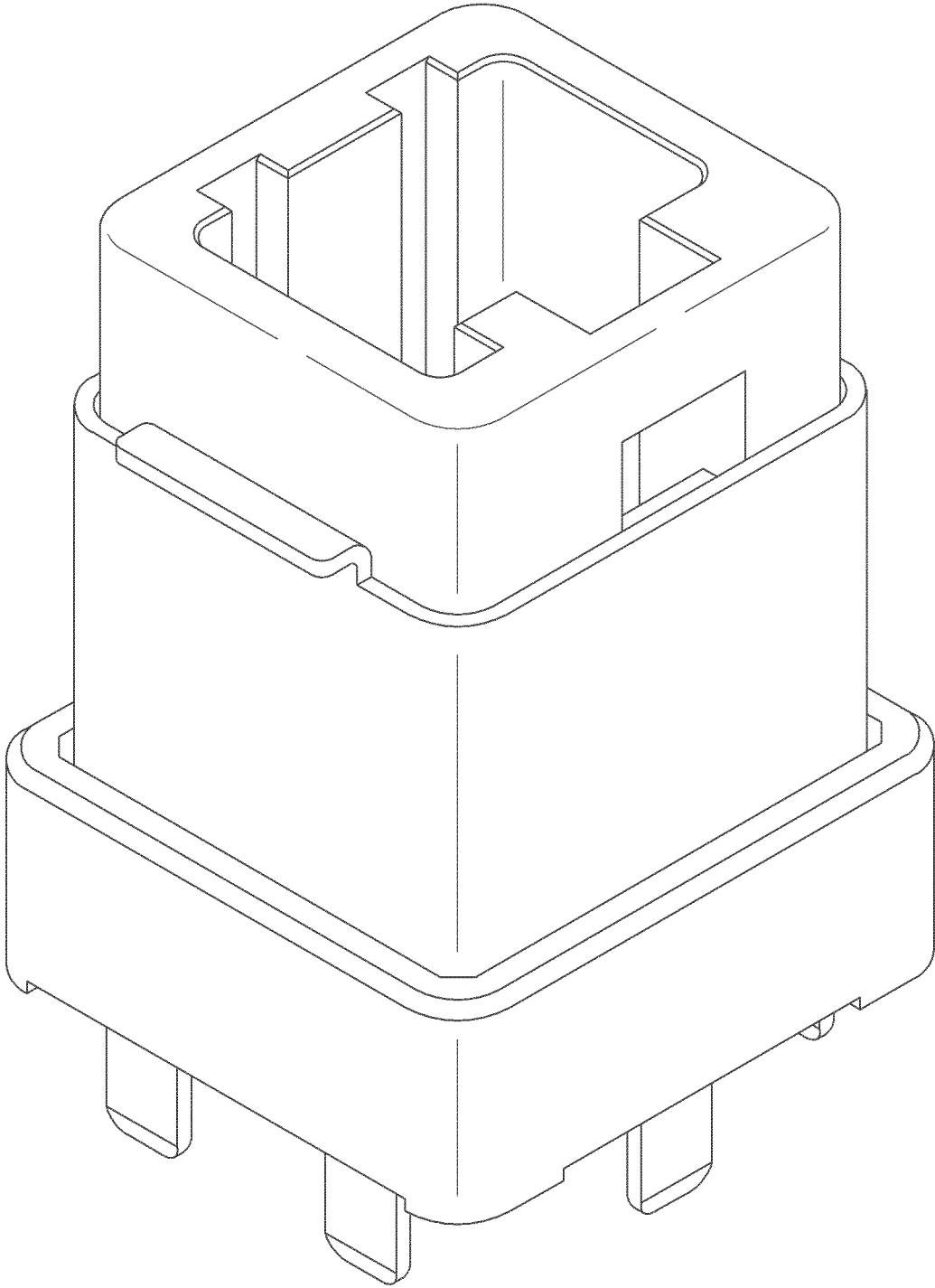


Fig.7

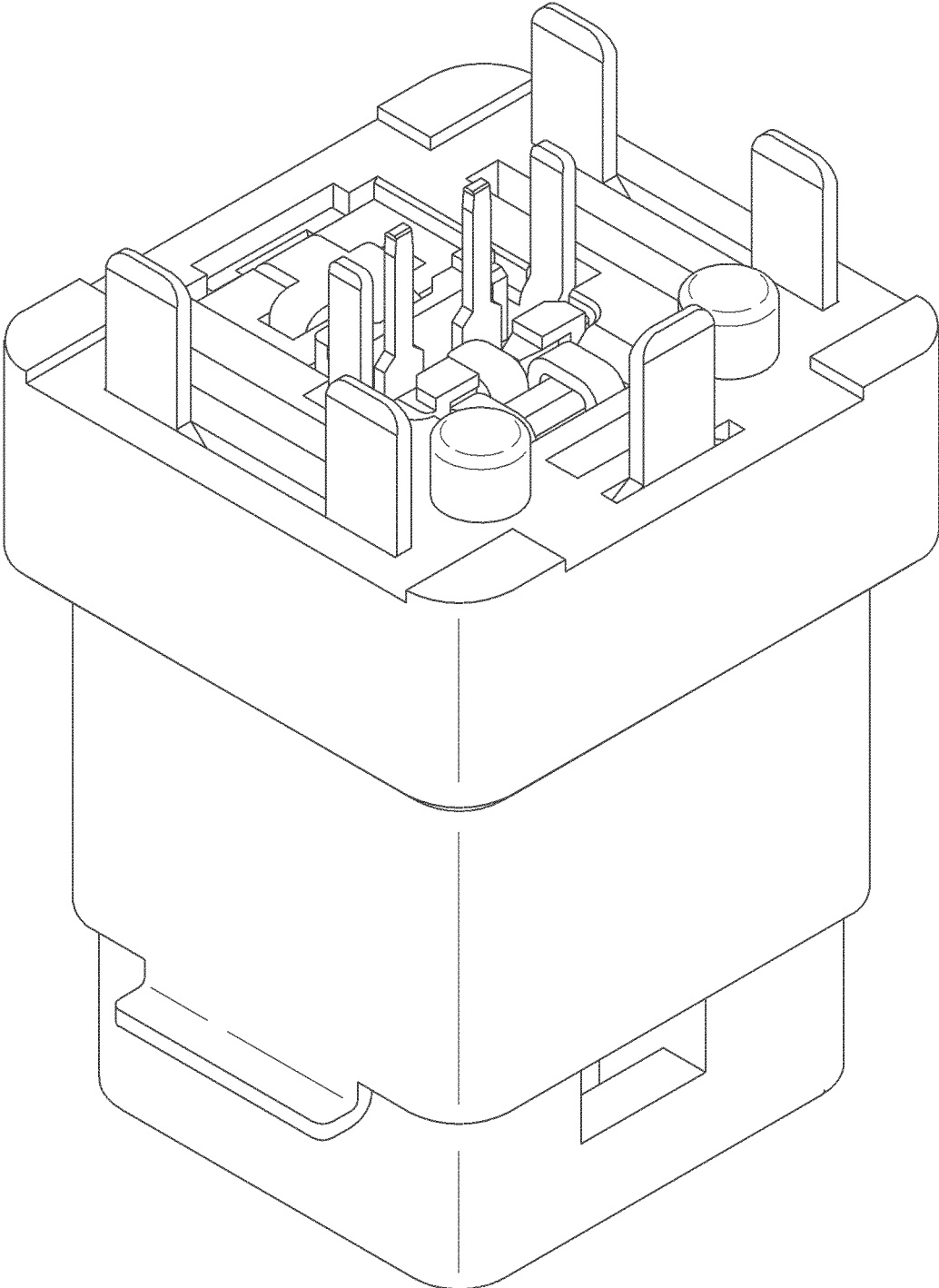


Fig.8

