



US00D928623S

(12) **United States Design Patent** (10) **Patent No.:** **US D928,623 S**  
**Kelley et al.** (45) **Date of Patent:** **\*\* \*Aug. 24, 2021**

(54) **CONTAINER**  
(71) Applicant: **Ring Container Technologies, LLC**,  
Oakland, TN (US)  
(72) Inventors: **Paul Vincent Kelley**, Arlington, TN  
(US); **Christopher Marcum**, Cordova,  
TN (US); **Douglas Miles Dygert**, Olive  
Branch, MS (US)  
(73) Assignee: **RING CONTAINER**  
**TECHNOLOGIES, LLC**, Oakland,  
TN (US)

D607,743	S	*	1/2010	Eble	.....	D9/559
D701,769	S	*	4/2014	Eble	.....	D9/560
D751,916	S	*	3/2016	Dygert	.....	D9/563
D760,088	S	*	6/2016	Kaye	.....	D9/560
D835,512	S	*	12/2018	Sterling	.....	D9/528
D855,473	S	*	8/2019	Liu	.....	D9/563
D856,089	S	*	8/2019	Veness	.....	D7/615
D856,153	S	*	8/2019	Liu	.....	D9/563
D856,154	S	*	8/2019	Liu	.....	D9/563
D894,007	S	*	8/2020	Eble	.....	D9/563
D899,938	S	*	10/2020	Shmueli	.....	D9/563

\* cited by examiner

*Primary Examiner* — Bao-Yen T Nguyen  
(74) *Attorney, Agent, or Firm* — Sorell, Lenna &  
Schmidt, LLP

(\* ) Notice: This patent is subject to a terminal dis-  
claimer.  
(\*\*) Term: **15 Years**

(21) Appl. No.: **29/713,425**  
(22) Filed: **Nov. 15, 2019**  
(51) **LOC (13) Cl.** ..... **09-01**  
(52) **U.S. Cl.**  
USPC ..... **D9/560; D9/563**  
(58) **Field of Classification Search**  
USPC ..... D9/516, 520, 544, 559, 560, 563–568,  
D9/574, 715, 719, 434; D7/598, 526,  
D7/530, 601, 602, 605, 612, 613  
CPC .. B65D 11/10; B65D 1/18; B65D 2501/0081;  
B65D 11/04; B65D 1/0223; A45D 34/00;  
A47K 5/12  
See application file for complete search history.

(57) **CLAIM**

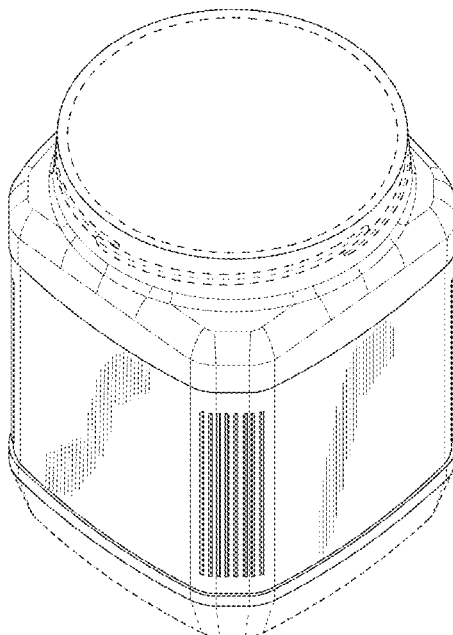
The ornamental design for a container, as shown and  
described.

**DESCRIPTION**

FIG. 1 is a perspective view of a container;  
FIG. 2 is a side view of the container;  
FIG. 3 is a side view of the container;  
FIG. 4 is a rear view of the container;  
FIG. 5 is a front view of the container;  
FIG. 6 is a top view of the container;  
FIG. 7 is a bottom view of the container; and,  
FIG. 8 is a cross sectional view in the direction of line 8-8  
of FIG. 4 thereof.  
The broken lines in the drawings showing the container  
illustrate the portions of the container that form no part of  
the claimed design.

(56) **References Cited**  
U.S. PATENT DOCUMENTS  
D426,161 S \* 6/2000 Hestehave ..... D9/520  
D495,603 S \* 9/2004 Walsh ..... D9/522

**1 Claim, 8 Drawing Sheets**



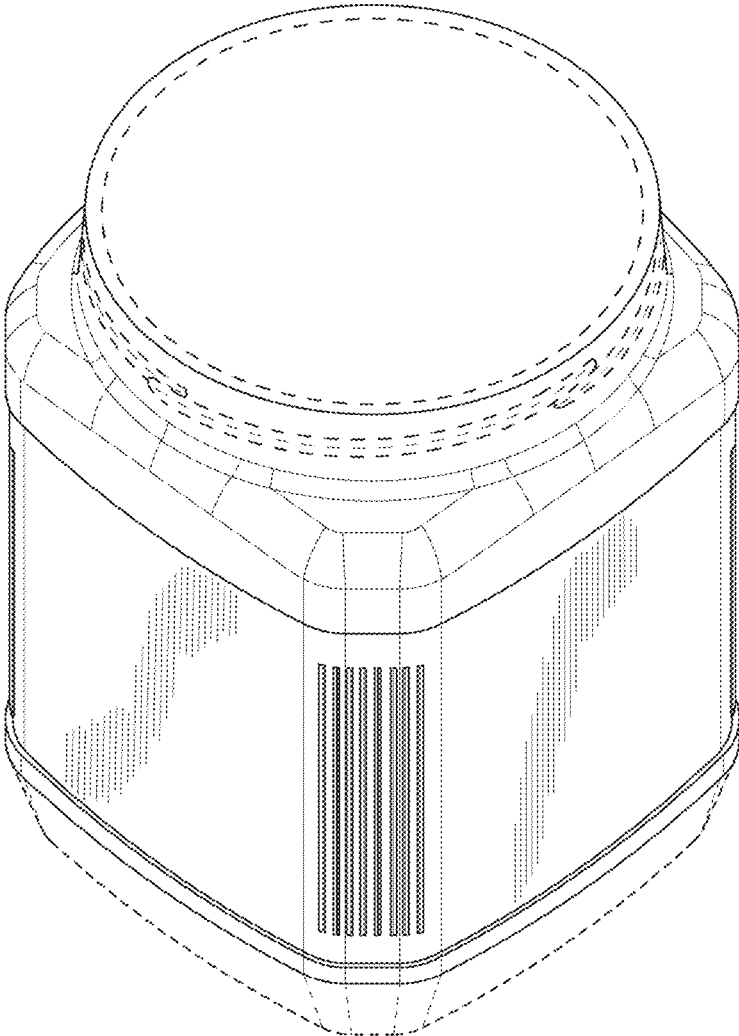


FIG. 1

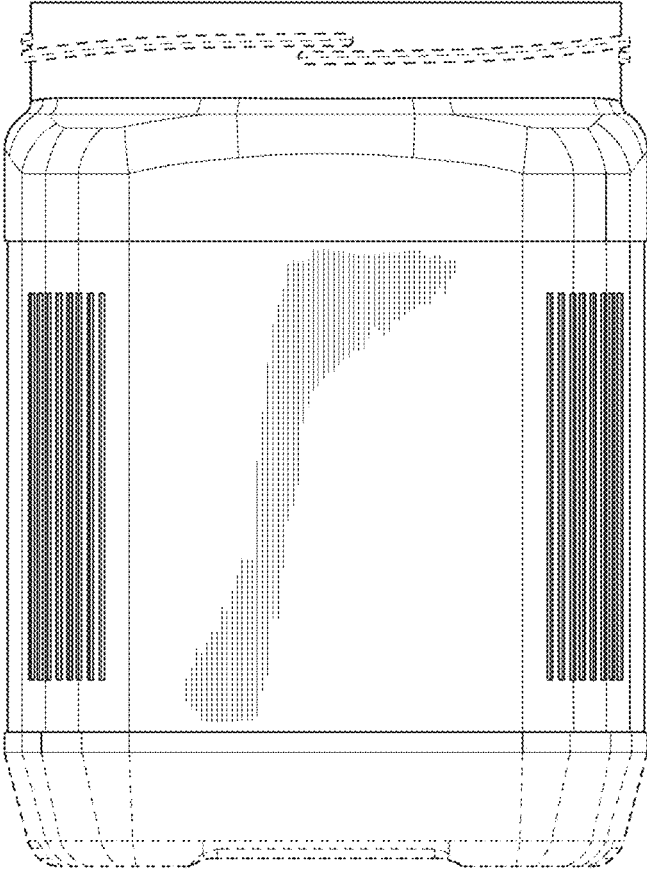


FIG. 2

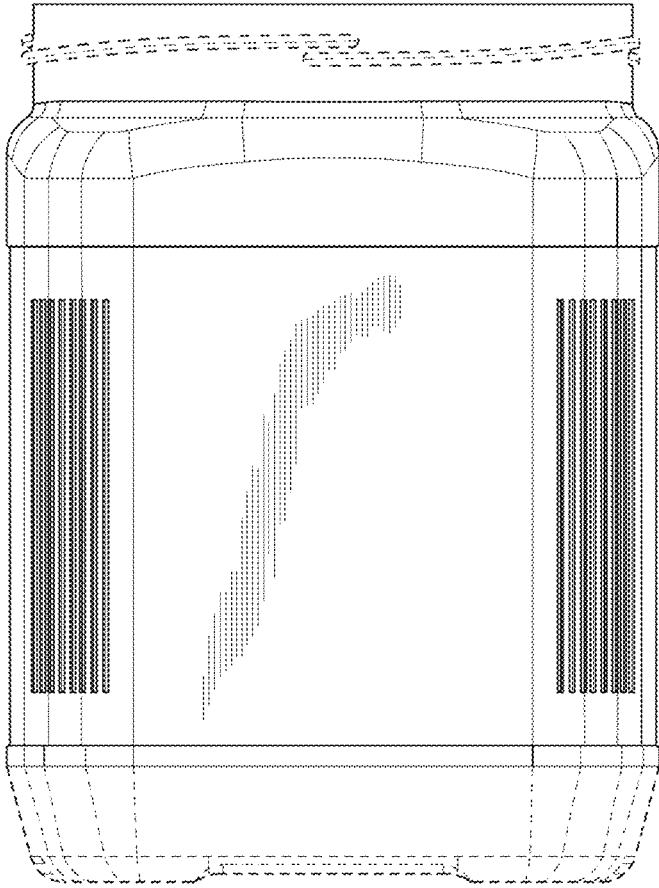


FIG. 3

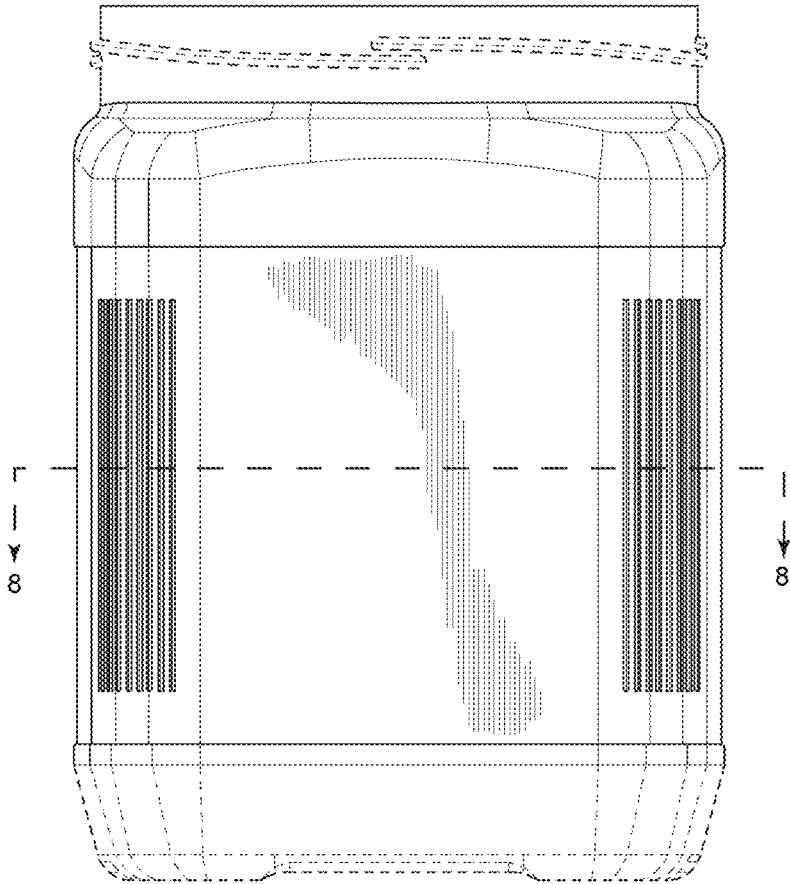


FIG. 4

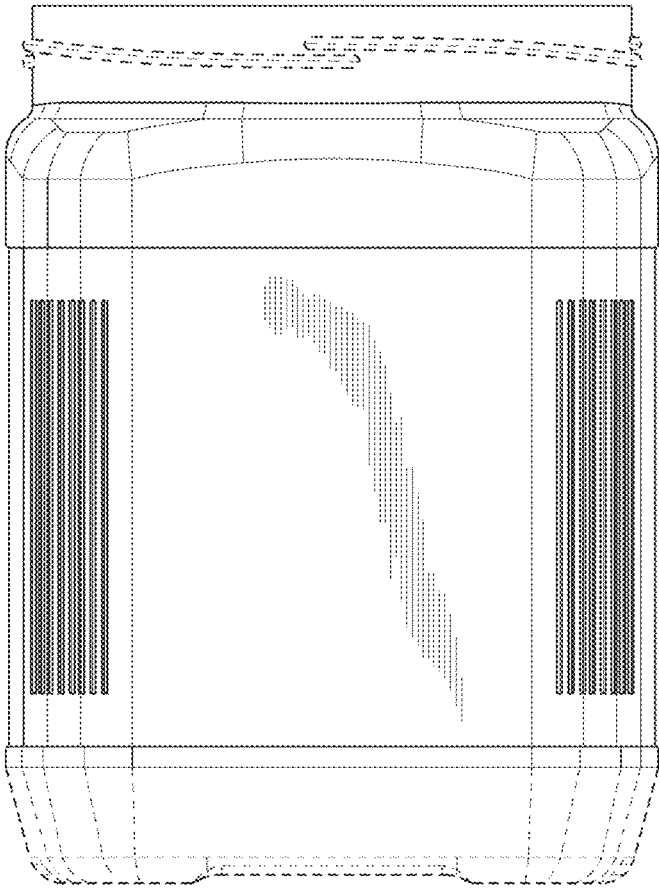


FIG. 5

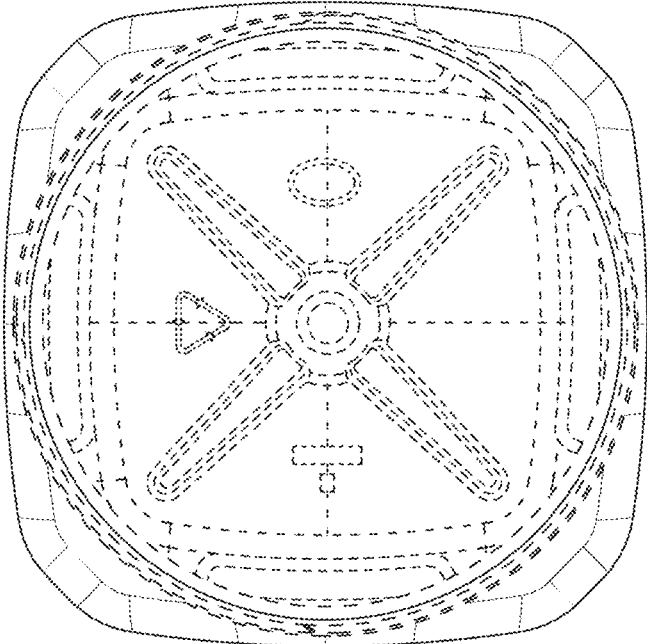


FIG. 6

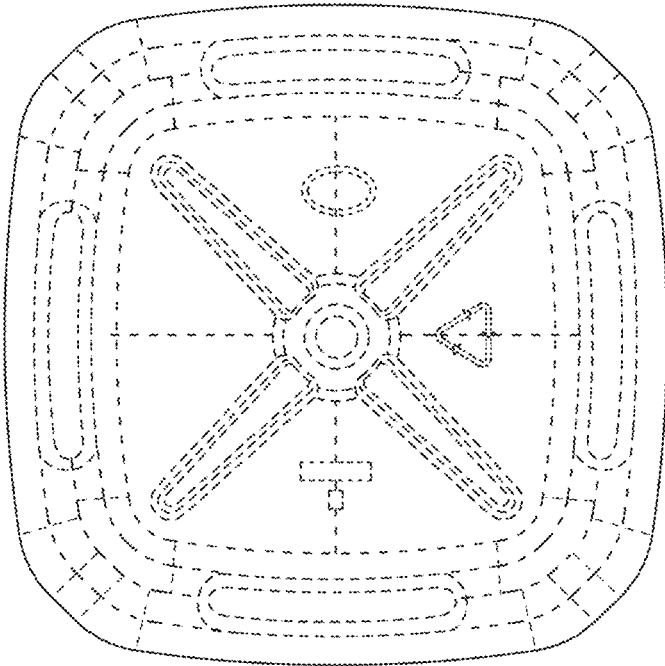


FIG. 7



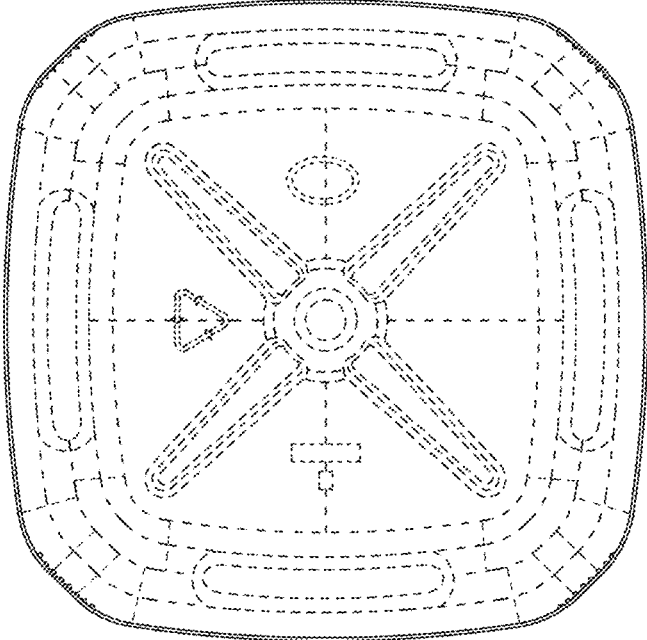


FIG. 8