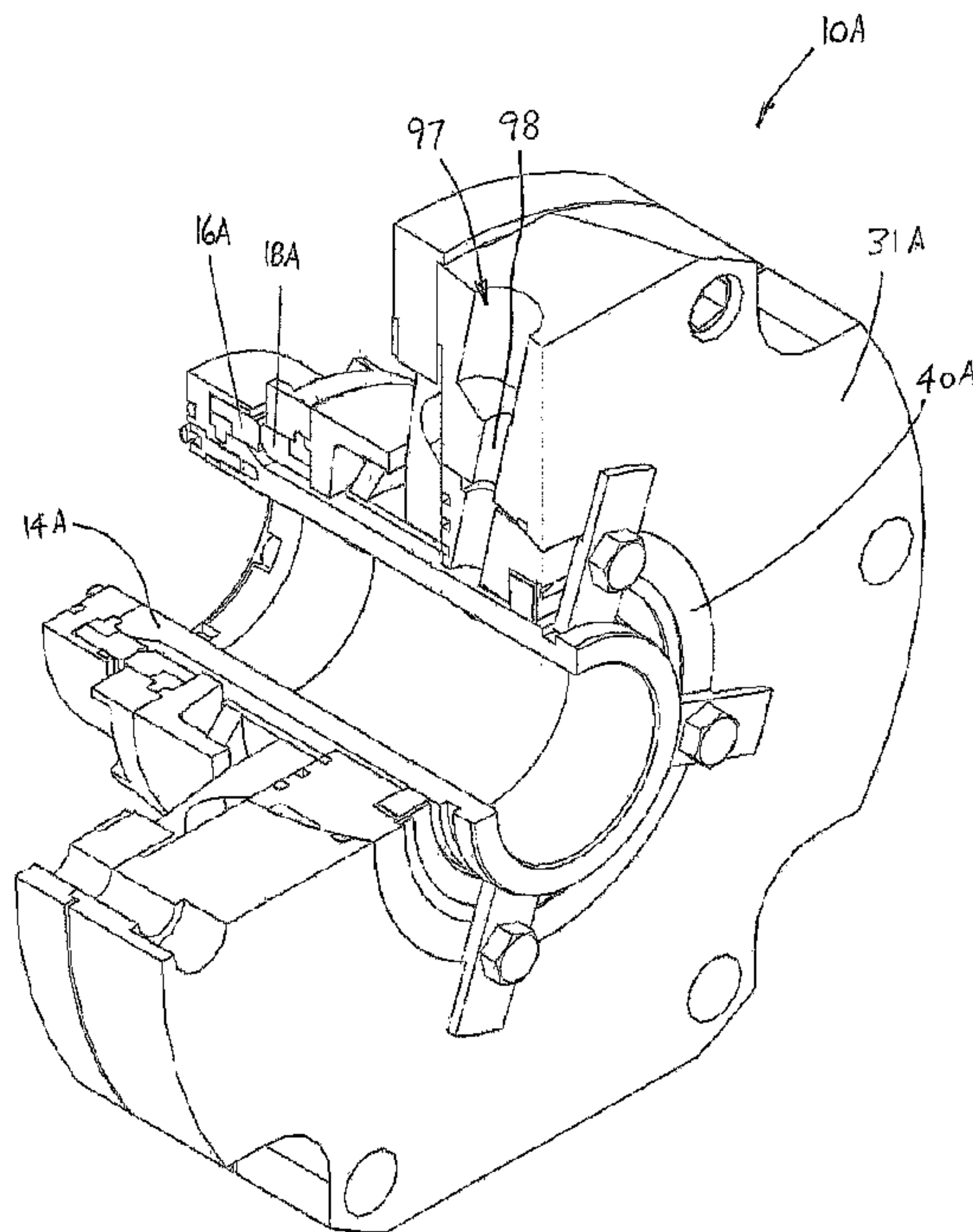




(86) Date de dépôt PCT/PCT Filing Date: 2010/03/16
 (87) Date publication PCT/PCT Publication Date: 2010/09/23
 (45) Date de délivrance/Issue Date: 2017/11/07
 (85) Entrée phase nationale/National Entry: 2011/09/14
 (86) N° demande PCT/PCT Application No.: AU 2010/000306
 (87) N° publication PCT/PCT Publication No.: 2010/105294
 (30) Priorités/Priorities: 2009/03/16 (CL0630-2009);
 2009/03/16 (CL0629-2009)

(51) Cl.Int./Int.Cl. *F16J 15/34* (2006.01),
F04D 29/12 (2006.01), *F16J 15/54* (2006.01)
 (72) Inventeurs/Inventors:
 ABARCA MELO, RICARDO, CL;
 GUZMAN CASTRO, RODRIGO, CL;
 QUIROZ VENEGAS, OSVALDO, CL
 (73) Propriétaire/Owner:
 VULCO S.A., CL
 (74) Agent: SMART & BIGGAR

(54) Titre : JOINT MECANIQUE
 (54) Title: MECHANICAL SEAL



(57) **Abrégé/Abstract:**

A mechanical seal is disclosed having a rotatable sealing face and a stationary sealing face that are in opposed relation and arranged to be urged, into contact to form a seal. One of the sealing faces is mounted on a support assembly that includes a biasing device operative to move that sealing face into contact with the other sealing face. In one form of the invention, the biasing device comprises one or more resilient members that in use are deformed to provide the biasing force. In a second form of the invention, the support assembly forms part of a fluid barrier of the seal and the biasing device is fluid impervious and forms part of the barrier. In a third form of the invention, the biasing device is exposed to fluid pressure in the chamber and the biasing force increases on increasing the fluid pressure in the chamber.

(12) INTERNATIONAL APPLICATION PUBLISHED UNDER THE PATENT COOPERATION TREATY (PCT)

(19) World Intellectual Property Organization
International Bureau(43) International Publication Date
23 September 2010 (23.09.2010)(10) International Publication Number
WO 2010/105294 A1

(51) International Patent Classification:

F16J 15/34 (2006.01) F16J 15/54 (2006.01)
F04D 29/12 (2006.01)

(74) Agent: GRIFFITH HACK; Level 29, Northpoint, 100
Miller Street, North Sydney, New South Wales 2060
(AU).

(21) International Application Number:

PCT/AU2010/000306

(81) Designated States (unless otherwise indicated, for every
kind of national protection available): AE, AG, AL, AM,
AO, AT, AU, AZ, BA, BB, BG, BH, BR, BW, BY, BZ,
CA, CH, CL, CN, CO, CR, CU, CZ, DE, DK, DM, DO,
DZ, EC, EE, EG, ES, FI, GB, GD, GE, GH, GM, GT,
HN, HR, HU, ID, IL, IN, IS, JP, KE, KG, KM, KN, KP,
KR, KZ, LA, LC, LK, LR, LS, LT, LU, LY, MA, MD,
ME, MG, MK, MN, MW, MX, MY, MZ, NA, NG, NI,
NO, NZ, OM, PE, PG, PH, PL, PT, RO, RS, RU, SC, SD,
SE, SG, SK, SL, SM, ST, SV, SY, TH, TJ, TM, TN, TR,
TT, TZ, UA, UG, US, UZ, VC, VN, ZA, ZM, ZW.

(22) International Filing Date:

16 March 2010 (16.03.2010)

(25) Filing Language:

English

(26) Publication Language:

English

(30) Priority Data:

0629-2009 16 March 2009 (16.03.2009) CL
0630-2009 16 March 2009 (16.03.2009) CL

(71) Applicant (for VN only): WEIR MINERALS AUS-
TRALIA LTD [AU/AU]; 1 Marden Street, Artarmon,
New South Wales 2064 (AU).(84) Designated States (unless otherwise indicated, for every
kind of regional protection available): ARIPO (BW, GH,
GM, KE, LS, MW, MZ, NA, SD, SL, SZ, TZ, UG, ZM,
ZW), Eurasian (AM, AZ, BY, KG, KZ, MD, RU, TJ,
TM), European (AT, BE, BG, CH, CY, CZ, DE, DK, EE,
ES, FI, FR, GB, GR, HR, HU, IE, IS, IT, LT, LU, LV,
MC, MK, MT, NL, NO, PL, PT, RO, SE, SI, SK, SM,
TR), OAPI (BF, BJ, CF, CG, CI, CM, GA, GN, GQ, GW,
ML, MR, NE, SN, TD, TG).(71) Applicant (for all designated States except US, VN):
VULCO S.A. [CL/CL]; San Jose 0815, San Bernardo,
Santiago (CL).

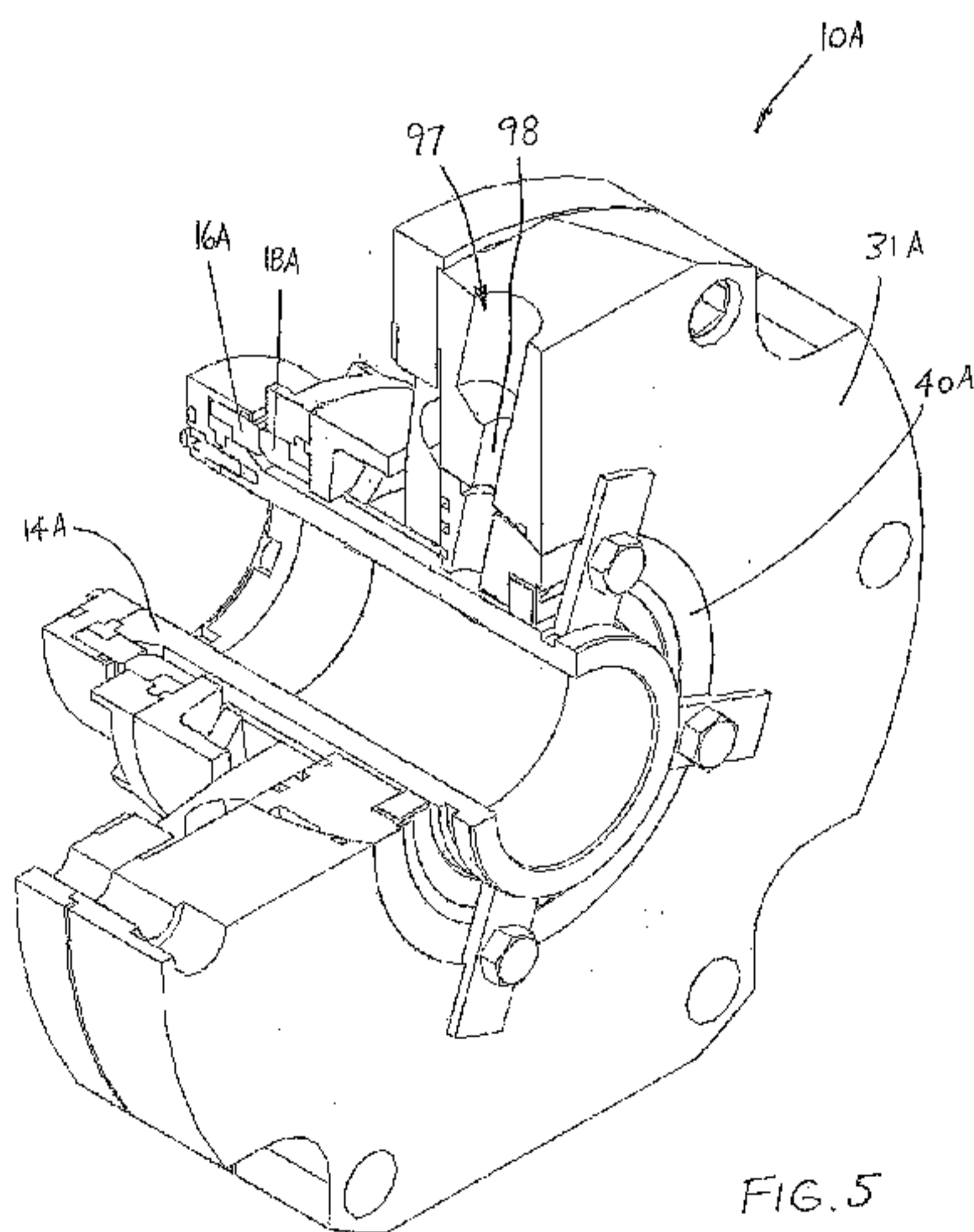
(72) Inventors; and

(75) Inventors/Applicants (for US only): ABARCA MELO,
Ricardo [CL/CL]; C/o- Vulco S.a., San Jose 0815, San
Bernardo, Santiago (CL). GUZMAN CASTRO, Rodrigo
[CL/CL]; C/o- Vulco S.a., San Jose 0815, San Bernardo,
Santiago (CL). QUIROZ VENEGAS, Osvaldo [CL/CL];
C/o- Vulco S.A., San Jose, San Bernardo, Santiago (CL).

Published:

— with international search report (Art. 21(3))

(54) Title: MECHANICAL SEAL



(57) Abstract: A mechanical seal is disclosed having a rotatable sealing face and a stationary sealing face that are in opposed relation and arranged to be urged, into contact to form a seal. One of the sealing faces is mounted on a support assembly that includes a biasing device operative to move that sealing face into contact with the other sealing face. In one form of the invention, the biasing device comprises one or more resilient members that in use are deformed to provide the biasing force. In a second form of the invention, the support assembly forms part of a fluid barrier of the seal and the biasing device is fluid impervious and forms part of the barrier. In a third form of the invention, the biasing device is exposed to fluid pressure in the chamber and the biasing force increases on increasing the fluid pressure in the chamber.

WO 2010/105294 A1

- 1 -

MECHANICAL SEAL**Technical Field**

5 This disclosure relates to a mechanical seal for providing
a fluid seal between rotatable and stationary components.
The mechanical seal has been developed especially, but not
exclusively for use in fluid pumps, such as slurry pumps,
where the mechanical seal is mounted between a rotatable
10 drive shaft and a pump casing and is herein described in
that context. However, it is to be appreciated that such
a mechanical seal can have broader application and is not
limited to that use.

15

Background Art

Mechanical seals have been used to provide a fluid seal
between a rotatable shaft and a fluid containing chamber.
As such, mechanical seals have application in pumps where
20 the drive shaft of an externally mounted pump motor
extends through a pump casing to drive a pump impeller. In
such an application, the mechanical seal is typically
situated where the rotatable shaft enters or leaves the
casing and is fitted to the casing and the rotatable shaft
25 to provide a seal between those components.

Such mechanical seals generally comprise some components
which rotate with the shaft (or other rotatable portion of
the equipment to which it is fitted) and those components
30 which are fitted to the stationary parts of the equipment.
At the interface between these rotary and stationary
components are contacting sealing faces; one which rotates
and the other which is stationary. These sealing faces
are in opposed relation and arranged to be urged into
35 contact to form a fluid seal therebetween.

In the past, problems have been encountered in using

- 2 -

mechanical seals in some pumping applications, particularly in mining slurry pumps because of the harsh environment created in the pumps by the slurry, the high loading induced on the pump components during start up and operation, and the need for continual operation of the pumps over extended periods. Accordingly, there is an ongoing need to improve the design of the mechanical seal to improve its suitability in pumping applications.

10

Summary of the Disclosure

In a first aspect, there is provided a mechanical seal comprising a rotatable portion; a stationary portion; a rotatable sealing face associated with the rotatable portion; a stationary sealing face associated with the stationary portion, the sealing faces being in opposed relation and arranged to be urged into contact to form a seal therebetween; and a support assembly incorporating one of the sealing faces thereon, the support assembly incorporating a biasing device and being operative to move that sealing face into contact with the other of the sealing faces under the influence of a biasing force of the biasing device, wherein the biasing device comprises one or more resilient members that in use are deformed to provide the biasing force.

In a particular form the one or more resilient members of the biasing device is formed from a viscoelastic material. In one form, the one or more members is formed from polymeric material and more specifically an elastomer such as rubber.

In one form, the one or more members is placed in tension so as to provide the biasing force. An advantage of this arrangement is that the biasing device can apply a more consistent biasing force over a larger displacement as compared to a spring such as a coil spring which has been

- 3 -

commonly used in the past in mechanical seals. Typically a spring force will vary significantly under longitudinal displacement since the elastic constant "K" is relatively high as compared to the elastic constant of the resilient member(s), particularly when those members are arranged to be placed in tension. Having an arrangement where the biasing device can provide a consistent biasing force over a relatively large displacement provides substantial benefit. In particular, the actual biasing force is not dependent on very accurate alignment of the components and any maladjustments or play in the equipment does not significantly affect the biasing force applied. Moreover, as the sealing surfaces wear, the biasing device needs to adapt to move the sealing face to accommodate the wear so as to maintain the sealing faces in contact. The biasing device according to at least one form above is able to provide a more consistent biasing force over larger wear ranges than previous mechanical seals using coil spring arrangements.

20

In a particular form, the biasing device is arranged to apply a substantially uniform biasing force to the sealing face disposed on the support assembly so as to assist in maintaining alignment of the contacting sealing faces.

25

According to a second aspect, there is provided a mechanical seal comprising a rotatable portion; a stationary portion; a rotatable sealing face associated with the rotatable portion; a stationary sealing face associated with the stationary portion, the sealing faces being in opposed relation and arranged to be urged into contact to form a seal therebetween; and a support assembly incorporating one of the sealing faces thereon, the support assembly incorporating a biasing device and being operative to move that sealing face into contact with the other of the sealing faces under the influence of a biasing force of the biasing device, wherein the biasing

30

35

- 4 -

force is applied uniformly about the axis of rotation of said rotatable portion.

In one form, the biasing device of the second aspect is formed of one or more resilient members according to the first aspect.

In a particular form of either the first or aspects of this disclosure, the biasing device is in the form of a resilient ring that extends about the axis of rotation of the rotatable sealing face. In one particular form, the ring is formed from an elastomeric polymer that is placed in tension to impart the biasing force to the sealing face mounted on the support assembly so as to exert the uniform force on the sealing face.

In one form, the support assembly incorporates a movable portion on which the sealing face is disposed, and a base portion that mounts to, or bears against, the stationary portion. In this arrangement the biasing device is disposed between the movable portion and the base portion. In a particular arrangement where the one or more resilient members that form the biasing device is placed in tension, the movable and base portions of the support assembly are arranged to overlap and the member(s) is disposed in the overlap. The member(s) is placed in tension by varying (typically increasing) the amount of overlap. In one form, these portions are mounted concentrically about the axis of rotation of the rotary portion of the mechanical seal.

In a particular form, the one or more resilient members is bonded to the components of the support assembly. In one form, this bonding is by a vulcanization process. Using such a bonding process not only provides a strong connection but allows that connection to be fluid impervious.

- 5 -

In particular form, the support assembly forms part of a fluid barrier of the seal and the biasing device is fluid impervious and forms part of that barrier. An advantage of the biasing device having the dual function of imparting a biasing force to the sealing face and forming part of a fluid barrier of the mechanical seal is that the number of components in the mechanical seal can be reduced. In previous mechanical seals that incorporated coil springs, the springs need to be isolated where possible from the fluid and as such the mechanical seal required additional sealing arrangements to isolate the springs and provide the fluid barrier between the rotary and stationary parts.

15

In a third aspect, there is disclosed a mechanical seal comprising: a rotatable portion; a stationary portion; a rotatable sealing face associated with the rotatable portion; a stationary sealing face associated with the stationary portion, the sealing faces being in opposed relation and arranged to be urged into contact to form a fluid seal therebetween; and a support assembly incorporating one of the sealing faces thereon, the support assembly incorporating a biasing device and is operative to move that sealing face into contact with the other of the sealing faces under the influence of a biasing force of the biasing device, wherein the support assembly forms part of a fluid barrier of the seal and the biasing device is fluid impervious and forms part of that barrier.

30

In a particular form according to any one of the first, second or third aspects, the support assembly is configured so that the biasing device is arranged to be exposed to the fluid pressure and flow in the equipment to which is mounted. Furthermore, the biasing device is configured so that the fluid pressure assists the biasing

35

- 6 -

force and therefore counteracts any force applied to the sealing faces by the fluid pressure to separate the sealing faces. Accordingly, in one form, the net force exerted by pressurised fluid in a chamber to which the mechanical seal is connected does not significantly affect the net force exerted on the sealing faces. This characteristic means that any pressure fluctuations (such as those that occur during pump operation), do not affect the force which keeps the sealing faces in contact.

10

In one form, the biasing device is under a substantially tensile force (in respect of a principal axis of the device) and the fluid pressure in the chamber is arranged to apply a shear force which is substantially normal to that tensile force and in the direction of the biasing force.

In a fourth aspect, there is provided a mechanical seal in a fluid containing chamber comprising: a rotatable portion; a stationary portion; a rotatable sealing face associated with the rotatable portion; a stationary sealing face associated with the stationary portion, the sealing faces being in opposed relation and arranged to be urged into contact to form a fluid seal therebetween; and a support assembly incorporating one of the sealing faces thereon, the support assembly incorporating a biasing device and is operative to move that sealing face into contact with the other of the sealing faces under the influence of a biasing force of the biasing device, wherein the biasing device is exposed to fluid pressure in the chamber and the biasing force increases on increasing the fluid pressure in the chamber.

In yet a further aspect, there is provided a pump including a pump casing having an aperture, a drive shaft that extends through the aperture, and a mechanical seal according to any form described above providing a fluid

35

64236-62

- 7 -

seal between the casing and the drive shaft, wherein the rotatable portion of the mechanical seal is mounted to the drive shaft and the stationary portion of the mechanical seal mounted to the pump casing.

5 In another aspect, there is provided a mechanical seal comprising a rotatable portion; a stationary portion; a rotatable sealing face associated with the rotatable portion; a stationary sealing face associated with the stationary portion, the sealing faces being in opposed relation and arranged to be
10 urged into contact to form a seal therebetween; and a support assembly incorporating one of the sealing faces thereon, the support assembly incorporating a movable portion on which the one of the sealing faces is disposed and a base portion that mounts to, or bears against, the stationary portion, the
15 support assembly further incorporating a biasing device and being operative to move the one of the sealing faces into contact with the other of the sealing faces under the influence of a biasing force of the biasing device, the biasing device being disposed between the movable portion and the base
20 portion, wherein the movable portion is disposed radially outward from the base portion; and wherein the biasing device comprises one or more resilient members that, in use, are deformed so as to be placed in tension to provide the biasing force.

25 **Brief Description of the Drawings**

It is convenient to describe an embodiment of the mechanical seal with reference to the accompanying drawings, in which:

64236-62

- 7a -

Fig. 1 is a perspective view (with quarter section removed) of a mechanical seal;

Fig. 2 is a side elevation of the mechanical seal of Fig. 1;

5 Fig. 3 is an exploded view of the components of the mechanical seal of Fig. 1;

Fig. 4 is a schematic illustration of the mechanical seal of Fig. 1 connected to a pump casing and drive shaft;

10 Fig. 5 is a perspective view (with quarter section removed) of another embodiment of a mechanical seal which is similar to the embodiment of Fig. 1;

Fig. 6 is a side elevation of the mechanical seal of Fig. 5;

15 Fig. 6a is a perspective view of a portion of the mechanical seal of Fig. 6;

Fig. 7 is a side elevation of the mechanical seal of Fig. 5; and

Fig. 7a is a perspective view of a portion of the mechanical seal of Fig. 7.

20 **Detailed Description of Specific Embodiments**

Turning to the drawings, in Fig. 1 a mechanical seal 10 is disclosed which is for use in providing a sealing

- 8 -

interface between rotary and stationary components.

Broadly, the mechanical seal 10 includes a stationary part or housing 12 in the form of a generally annular-shaped flange or ring 31 and a rotatable part which is

5 generally in the form of a shaft sleeve 14 which extends through the housing 12 and is rotatable about an axis CL. There are various components which connect the rotatable and stationary parts, which will now be described.

10 To form a fluid seal between the stationary annular flange 31 and the rotatable shaft sleeve 14, a pair of sealing members in the form of continuous rings 16, 18 are provided. In use, the rings 16, 18 are mounted on respective support structures of the seal 10. In the
15 embodiment as shown, one of the sealing rings 16 rotates and is affixed to the shaft sleeve 14, whereas the other sealing ring 18 remains stationary by being fitted to the stationary housing 12 through a support assembly 20 (the various components of which will be described shortly).

20 Each of the sealing rings 16, 18 includes a respective annular sealing face (22, 24) which in use are located in opposing relation and are smoothly finished. The sealing faces 22, 24 are arranged to be urged into contact with one another to form a fluid seal therebetween, as will be
25 described.

The mechanical seal 10 according to the above form is suitable for use in a centrifugal pump (for example, as shown in Fig. 4). The mechanical seal 10 provides a fluid
30 barrier between a pump casing 100 and the rotatable drive shaft 102 which is fitted with a shaft sleeve 14. The shaft sleeve 14 houses (and turns with) the rotatable drive shaft 102, which connects a drive motor (not shown) to a pump impeller (not shown) that is located inside a
35 pumping chamber of the pump. The pump casing 100 is bolted to the housing 12 of the mechanical seal 10 via screws which fit into receiving holes 13. The rotatable

- 9 -

drive shaft 102 is fitted by bolts, rivets or screws 92 which are located into receiving holes 15 to fasten it to the rotatable shaft sleeve 14 of the mechanical seal 10.

5 The rotatable shaft sleeve 14 of the mechanical seal 10 is typically made of a material such as machined stainless steel (for example AISI 316). The shaft sleeve 14 includes a drive collar 26 mounted at a rear end 27 of the shaft sleeve 14, which is on the exterior side of the
10 stationary housing 12 and pump casing 100, and outside of any contact with the fluid inside the pump. The shaft sleeve 14 also incorporates the rotatable sealing ring 16 at an opposite (front) end 29 of the shaft sleeve 14, which is at the region of the mechanical seal 10 which is
15 in contact with the fluid, inside of the pump. The sealing ring 16 is disposed on an outer surface 33 of the shaft sleeve 14 and is oriented so that its respective sealing face 22 faces back towards the rear end 27 of the shaft sleeve 14. The sealing ring 16 (which is typically
20 made from a ceramic such as silicon carbide, or a hard metal material such as tungsten carbide) is coupled to the shaft sleeve 14 via a mounting assembly including a mount in the form an elastomeric coupling 28, and a clamping collar 30 which clamps around the sealing ring 16 and
25 holds it to the shaft sleeve 14 using a screwing arrangement 25. The function and operation of the mounting assembly will be described in more detail below.

The support assembly 20 is located between the shaft
30 sleeve 14 and the housing 12 and is arranged to "float", meaning that it is not rigidly attached to either the housing 12 or to the shaft sleeve 14). The support assembly 20 has multiple functions, being:

- to support the stationary sealing ring 18;
- 35 - to provide a biasing force to the sealing ring 18 to urge it into contact with the rotatable sealing ring 16;
- to provide a fluid barrier between the housing 12 and

- 10 -

the sealing ring 18. When fitted to a pump, the fluid barrier formed by the support assembly 20 becomes an internal surface of the pump chamber; and
- to support the rotatable shaft sleeve 14 relative to the
5 stationary annular flange 31 forming the housing 12.

To allow for these different functions, the support assembly 20 comprises:

- a base portion in the form of an annular hub 40 that
10 is fitted within the annular flange 31 of the housing 12 and around the shaft sleeve 14 and a circumferential cylinder or sleeve 32 which projects from the hub 40 and extends around, and is spaced from, the shaft sleeve 14;
- a movable portion in the form of a circumferential
15 flanged boss 34; and
- a biasing device in the form of an elastomeric ring 36 disposed between the sleeve 32 and the movable flanged boss 34.

20 The movable flanged boss 34 has the stationary sealing ring 18 of the mechanical seal fitted at a leading end thereof through a second mounting assembly which includes a second mount in the form of an elastomeric coupling 38. The resilient, elastomeric ring 36 is arranged to impart a
25 biasing force on the moveable flanged boss 34 to urge the sealing ring 18 to move relative to the base circumferential sleeve 32 and into face-to-face close contact with the rotatable sealing ring 16.

30 The annular flange 31 and the hub 40 are both typically formed from machined steel, such as machined stainless steel (for example AISI 316). The hub 40 includes a central aperture 42 through which the shaft sleeve 14 extends, with a small circumferential clearance distance D
35 thereabout. An inner surface 44 of the hub 40 includes a bearing 46 which extends across the clearance distance D and on which the shaft sleeve 14 rotates. In the

- 11 -

illustrated form, the bearing 46 is formed as a carbon slip ring of rectangular cross-section.

The outer circumferential surface 48 of the hub 40 is in sliding contact with an inner circumferential surface 50 of the annular flange 31 of the housing 12, so as to form a joint therebetween. To reduce friction between these surfaces, an annular groove 52 is incorporated in the outer surface 48 of the hub 40. An o-ring seal 54 is also arranged in a small circumferential groove located on the interior surface 50 of the annular flange 31 and positioned between the contacting surfaces 48, 50 to provide a secondary fluid seal therebetween.

An elastomeric boot 56 extends across the front face of the annular flange 31 to partially cover the annular flange 31 and all of the hub 40, including covering over the joint between these components 31, 40 and inhibiting fluid penetration between the inner surface 50 of the annular flange 31 and the outer surface 48 of the hub 40. This boot 56 provides a primary seal against the ingress of fluid and particulate matter on the side of the mechanical seal 10 which is in contact with the fluid inside the pump, but without unduly restricting the sliding nature of the contact between the hub 40 and the annular flange 31.

A feature of the mechanical seal 10 is that the contacting surfaces 48, 50 of the hub 40 and the annular flange 31 are arcuate and more specifically, the hub outer surface 48 is part spherical so as to form a ball joint (or ball-and-socket type joint) between the hub and the annular flange 31 portion of the housing 12. This allows the support assembly 20 and rotary shaft sleeve 14 to "float" and to be tilted relative to the stationary housing 12, so that the axis of rotation of the drive shaft 102 and the shaft sleeve 14 can be moved in all directions away from

- 12 -

alignment with the central axis CL of the aperture 42 of the hub 40. In fact, the ball joint which is formed between the hub 40 and the annular flange 31 in the mechanical seal 10 can accommodate a relatively large angular variation between these two axes (in the order of up to 5-10°). This is advantageous since it allows the mechanical seal 10 to be fitted to equipment where the rotatable shaft is out of alignment with the equipment casing which is joined to the annular flange 31 (via screws in receiving holes 13). Furthermore, and importantly, this ability to accommodate this angular variation can be achieved without providing any consequential misalignment of the sealing faces 22, 24 of the respective sealing rings 16, 18, and leakage of fluid therethrough.

The sleeve 32 of the support assembly 20 is supported by, and projects from, the hub 40. The sleeve 32, which is typically formed of steel, such as stainless steel, surrounds but is spaced from the rotatable shaft sleeve 14, and provides a seat for the inner circumference of the elastomeric ring 36. In the illustrated form, the elastomeric ring 36 is formed from a viscoelastic material such as a polymeric elastomer. The ring 36 extends around the outer surface 60 of the sleeve 32 and is bonded to the sleeve 32 preferably by a vulcanizing process so as to form a strong connection that is fluid impervious.

The flanged boss 34 (that connects to the stationary sealing ring 18) is formed as a ring which is L-shaped in cross-section and has an inner surface 64 that fits over, and is bonded on, an outer circumference of the elastomeric ring 36, again preferably by a vulcanizing process to provide both a strong, fluid impervious connection between those elements. The flanged boss 34 is typically formed from metal such as stainless steel and, together with the other parts of the movable portion of

- 13 -

the support assembly 20, extends around but is spaced from the rotatable shaft sleeve 14. In this way the flanged boss 34 is fully supported on the elastomeric ring 36.

5 The resilient, elastomeric ring 36 not only supports the movable portion (flanged boss 34) of the support assembly 20 but is arranged to urge that portion forward (i.e. towards the shaft end 29) so as to maintain the sealing faces 22, 24 of the respective sealing rings 16, 18 in
10 contact. This is achieved by preloading the elastomeric ring 36, by moving/positioning the flanged boss 34 in relation to the sleeve 32 so as to deform the elastomeric ring 36 and place that ring in tension, and then hold those components in that position (that is, the
15 elastomeric ring 36 is placed in tension by movement of the flanged boss 34 rearward towards the rear end 27 of the shaft). This tensioning thereby induces a biasing force on the sealing ring 18 to urge it forward against the outer sealing ring 16 and to maintain a closed gap
20 therebetween. The structure of the elastomeric ring 36 allows the biasing force to be applied uniformly on the sealing ring 18 and about the axis of rotation of the rotatable shaft sleeve 14 and the rotatable sealing ring 16.

25 The amount of preload applied to the elastomeric ring 36 is dependent on the amount of axial movement of the flanged boss 34 relative to the sleeve 32. As the shaft sleeve 14 is movable relative to the hub 40 (and therefore
30 can be moved axially along the drive shaft 102), this axial movement needs to be constrained to maintain the preload in the elastomeric ring 36. This is achieved by the use of T-shaped setting tabs 66 which are mounted to the hub 40 and removed upon installation of the mechanical
35 seal 10. The setting tabs 66 are typically fixed to the hub 40 by bolts or screws 68 and arranged to anchor about the drive collar 26 to fix the axial position of the hub

- 14 -

40 on the shaft sleeve 14. In the form as illustrated, the setting tabs 66 are arranged to bear against the drive collar 26. With the setting tabs 66 in place, the elastomeric ring 36 remains in its preloaded state as the support assembly 20 can not expand axially along the shaft (which would unload the tension in the elastomeric ring 36) as it is confined axially between the front rotary sealing ring 16 and the drive collar 26 at the rear of the shaft.

10

The construction of the support assembly 20 with the elastomeric sealing ring 36 disposed between the sleeve 32 and the flanged boss 34 provides an arrangement where the force applied to the stationary sealing ring 18 is concentric and uniform about the axis of rotation CL of the rotatable shaft sleeve 14.

15

The support assembly 20 provides a fluid barrier for the mechanical seal 10 that extends from the stationary sealing ring 18 to the annular flange 31 of the housing 12, and in effect becomes an internal wall of the pump casing. The sealing ring 36 is thus exposed to the fluid in the pump 100 during operation. The ring 36 forms an integrated part of this fluid impervious barrier (comprising the continuous sealing ring 36 that is bonded to the sleeve 32 and the flanged boss 34 also).

20

25

The rear surface 70 of the sealing ring 36 is in contact with the fluid inside the pump because fluid is able to penetrate the space between the end of the flanged boss 34 and the boot 56. This then enables the fluid pressure in the pump to assist in biasing the flanged boss 34 of the support assembly 20 forward in the direction of end 29, thereby contributing to the biasing force which maintains the annular sealing faces 22, 24 in contact. An increase in the fluid pressure within the pump chamber can increase the biasing force. This additional biasing force

30

35

- 15 -

counteracts, at least to some extent, the force that is applied by the fluid pressure at the joint of the sealing rings 16, 18 which tends to force those members apart. As such the mechanical seal 10 is able to operate effectively under different fluid pressures. This is beneficial in pumping applications where the fluid pressure can fluctuate considerably from start up to being fully operational.

As mentioned above, the sealing rings 16, 18 are each held in place via mounting assemblies. These mounting assemblies include elastomeric couplings 28, 38 which are designed to accommodate torque loading, abutment surfaces 94, 96 against which the sealing rings 16, 18 locate, and which restrain the sealing rings 16, 18 from moving axially, and clamping collars 30, 82 which clamp the respective elastomeric couplings 28, 38. Further, one of the clamping collars 30 includes the abutment surface 94 whereas the other clamping collar 82 is designed to hold the sealing ring 18 against the abutment surface 96.

In the illustrated form, the sealing rings 16, 18 (which are typically ceramic) have a cut-out portion or recess on the rear face (the opposite face to their respective annular sealing faces 22, 24). The elastomeric couplings 28, 38 each have a base portion (72, 74 respectively) that is mounted in that recess and typically bonded in place by a vulcanizing process. The elastomeric couplings 28, 38 also include respective rib portions 76, 78 that extend outwardly from the base portions 72, 74 beyond the respective sealing rings 16, 18 to which they are fitted, and in a plane parallel to the respective annular sealing faces 22, 24. These rib portions 76, 78 are releasably clamped in use, to hold the attached sealing rings 16, 18 in place. Specifically, the rotatable sealing ring 16 is held by a holding piece in the form of the clamping collar 30 clamping the rib portion 76 to the front surface 23 of

- 16 -

the shaft sleeve 14. An o-ring 80 may also be fitted to provide a water barrier between the collar 30 and the sealing ring 16. The clamping collar 30 includes the abutment surface 94 on an inner face and bears against the rear face of the sealing ring 16 so as to prevent axial movement of the sealing ring 16 away from the other sealing ring 18. The stationary sealing ring 18 is held by a holding piece in the form of the clamping collar 82 which clamps the rib portion 78 onto the forward surface 85 of the flanged boss 34. Further the sealing ring 18 is clamped in a position where its rear face bears against the abutment surface 96 which is formed on the outer face of the flanged boss 34.

The clamped elastomeric couplings 28, 38 are in the form of resilient rings and designed to accommodate torque and assist in protecting the sealing rings 16, 18, particularly in the start-up phase of use of a pump. In starting up, the torque imparted by the drive shaft 102 needs to overcome the static frictional resistance that exists at the contacting sealing faces 22, 24 to allow the rotatable sealing ring 16 to move relative to the stationary sealing ring 18. This frictional resistance can be high and accordingly the forces induced on the sealing rings 16, 18 can be high. The elastomeric couplings 28, 38 enable the sealing rings 16, 18 to better accommodate these forces by ensuring the torque is transferred and distributed along the sealing rings 16, 18 (because of the continuous contacting surface between the clamping collars 30, 82 and the rib portions 76, 78 of the elastomeric couplings 28, 30) and also by allowing the elastomeric couplings 28, 30 to absorb some of the loading by deformation, thereby acting as a dampener for the mechanical seal 10. A further advantage of an elastomeric coupling 28, 30 is that it provides some resilience close to the sealing interface thereby allowing the sealing rings 16, 18 some ability to adjust and move during

- 17 -

operation which assists in maintaining the surfaces of the sealing faces 22, 24 in contact. For the couplings 28, 30 and for any of the other elastomeric parts referred to in this specification, the material of manufacture can be a viscoelastic material such as a polymeric elastomer, or a natural or synthetic rubber or compounded rubber, or a specific rubber product blend (for example, Viton brand). In further embodiments, the elastomeric couplings 28, 30 can be present in the form of multiple, possibly discontinuous, arc-shaped segments fixed to a respective sealing ring 16, 18 rather than in a continuous ring form.

In the illustrated form, the collar 82 has a forward facing surface 84 which incorporates radially extending fins 86. These fins are designed to promote turbulent flow in the vicinity of the sealing rings 16, 18 which assist in cooling the sealing rings 16, 18 by conducting away the frictional heat generated in their general vicinity during use. To further assist in creating this turbulent flow, additional fins 88 are profiled in the front face of the boot 56. It has been found in experimental tests that turbulent flow is sufficient to cool the mechanical seal 10 especially in the vicinity of the sealing rings 16, 18, and without the need for a separate quenching system being incorporated in the mechanical seal 10. This provides considerable advantage both in terms of simplifying the design and reducing the costs of ongoing operation.

In use, the mechanical seal 10 is provided with the biasing device in the form of the elastomeric ring 36, being preloaded. The mechanical seal 10 is fitted to the pump 100 by locating the shaft sleeve 14 on the drive shaft 102 of the pump 100. The annular flange 31 is able to be tilted on the hub 40 of the mechanical seal 10 if required so that the annular flange 31 aligns with the pump casing. The mechanical seal 10 is then secured in

- 18 -

place, with the annular flange 31 being bolted to the casing by bolts 90 which are located in receiving holes 13. The shaft sleeve 14 is fitted to the drive shaft 102 by bolts, rivets or screws 92 which extend through receiving holes 15 in the drive collar 26 and which bite into the drive shaft 102. Once fixed in place, the setting tabs 66 can be removed, which ensures that there is adequate running clearance between the drive collar 26 and the hub 40 and that the various components of the support assembly 20 are in appropriate tension and contact. The mechanical seal 10 is now in place and the pump ready for operation.

In a further embodiment shown in Figure 5, the mechanical seal 10A is in all respects the same as the mechanical seal 10 shown in Figure 1 to Figure 4, and for simplicity like parts have been given a similar part number with the additional letter "A". The main difference between the mechanical seals 10, 10A is the presence of a quench system 97 in the mechanical seal 10A. The quench system 97 includes a port 98 that forms an internal conduit which extends through the annular flange 31A of the stationary housing 12A and the hub 40A. The port 98 is arranged for the possible introduction of cooling water into the seal chamber which is located between the shaft sleeve 14 and the various components of the support assembly, as well as the possibility of flushing out any particulate matter which has crept into the seal chamber in use. A second port (not shown) is also provided which forms a similar internal conduit to the port 98 but which is angularly spaced about the axis CL from the port 98 and provides a discharge point for the cooling water introduced into the seal chamber via the port 98.

Referring the Figures 6, 6a, 7 and 7a in relation to the mechanical seal 10A, further detail is shown of the elastomeric couplings 28A, 38A. In Figures 6 and 6a, the

- 19 -

elastomeric coupling 28A is shown in some further perspective detail when bonded to the sealing ring 16A. In Figures 7 and 7a, the elastomeric coupling 38A is shown in some further perspective detail when bonded to the
5 sealing ring 18A.

Accordingly, a mechanical seal is provided that is ideally suited for pumps. The seal is of simple construction and is able to operate under fluctuating fluid pressures to
10 provide a uniform biasing force on the sealing faces to maintain those sealing faces in contact. The mechanical seal does not require separate quenching to cool the sealing faces (although this is optionally available in certain embodiments), and it is able to be fitted to drive
15 shafts that are out of alignment with the pump casing.

In the claims which follow and in the preceding summary of the invention, except where the context requires otherwise due to express language or necessary implication, the word
20 "comprising" is used in the sense of "including", that is the features specified may be associated with further features in various embodiments of the invention.

In the foregoing description of preferred embodiments, specific terminology has been resorted to for the sake of
25 clarity. However, the invention is not intended to be limited to the specific terms so selected, and it is to be understood that each specific term includes all technical equivalents which operate in a similar manner to
30 accomplish a similar technical purpose. Terms such as "front" and "rear", "inner" and "outer", "above" and "below" and the like are used as words of convenience to provide reference points and are not to be construed as limiting terms.

35

The reference in this specification to any prior publication (or information derived from it), or to any

64236-62

- 20 -

matter which is known, is not, and should not be taken as
an acknowledgment or admission or any form of suggestion
that that prior publication (or information derived from
it) or known matter forms part of the common general
5 knowledge in the field of endeavour to which this
specification relates.

Finally, it is to be understood that various alterations,
modifications and/or additional may be incorporated into
10 the various constructions and arrangements of parts
without departing from the scope of the
invention.

64236-62

- 21 -

CLAIMS:

1. A mechanical seal comprising
 a rotatable portion;
 a stationary portion;
5 a rotatable sealing face associated with the
rotatable portion;
 a stationary sealing face associated with the
stationary portion, the sealing faces being in opposed relation
and arranged to be urged into contact to form a seal
10 therebetween; and
 a support assembly incorporating one of the sealing
faces thereon, the support assembly incorporating a movable
portion on which the one of the sealing faces is disposed and a
base portion that mounts to, or bears against, the stationary
15 portion, the support assembly further incorporating a biasing
device and being operative to move the one of the sealing faces
into contact with the other of the sealing faces under the
influence of a biasing force of the biasing device, the biasing
device being disposed between the movable portion and the base
20 portion, wherein the movable portion is disposed radially
outward from the base portion; and
 wherein the biasing device comprises one or more
resilient members that, in use, are deformed so as to be placed
in tension to provide the biasing force.

64236-62

- 22 -

2. A mechanical seal according to claim 1, wherein the one or more resilient members of the biasing device are formed of a viscoelastic material.

3. A mechanical seal according to claim 1 or 2, wherein
5 the one or more resilient members are formed from polymeric material.

4. A mechanical seal according to any one of claims 1 to 3, wherein the biasing device is arranged to apply a substantially uniform biasing force to the one of the sealing
10 faces disposed on the support assembly so as to assist in maintaining alignment of the contacting sealing faces.

5. A mechanical seal according to any one of claims 1 to 4, wherein the biasing device is in the form of a resilient ring that extends about an axis of rotation of the rotatable
15 sealing face.

6. A mechanical seal according to claim 5 wherein the resilient ring is formed from an elastic polymer that is placed in tension to impart the biasing force to the one of the sealing faces mounted on the support assembly.

20 7. A mechanical seal according to any one of claims 1 to 6, wherein the one or more resilient members that forms the biasing device is placed in tension by relative movement of the movable and base portions of the support assembly.

8. A mechanical seal according to any one of claims 1
25 to 7, wherein the movable and base portions of the support assembly are arranged to overlap and the one or more resilient

64236-62

- 23 -

member are preloaded in tension by increasing the amount of overlap.

9. A mechanical seal according to any one of claims 1 to 8, wherein the movable and base portions of the support assembly are mounted concentrically about an axis of rotation of the rotatable portion of the mechanical seal.

10. A mechanical seal according to any one of claims 1 to 9, wherein the biasing device is bonded to one or more components of the support assembly.

10 11. A mechanical seal according to claim 10, wherein the bonding is by a vulcanization process.

12. A mechanical seal according to any one of claims 1 to 11, wherein the support assembly forms part of a fluid barrier of the seal and the biasing device is fluid impervious and forms part of that barrier.

13. A mechanical seal according to any one of claims 1 to 12, wherein the seal is mounted in a fluid containing chamber and the support assembly is configured so that the biasing device is arranged to be exposed to fluid pressure in the chamber.

14. A mechanical seal according to any one of claims 1 to 13, wherein the biasing device is configured so that the fluid pressure assists the biasing force so that the biasing force imparted by the biasing device increases on increasing fluid pressure in the chamber.

1/6

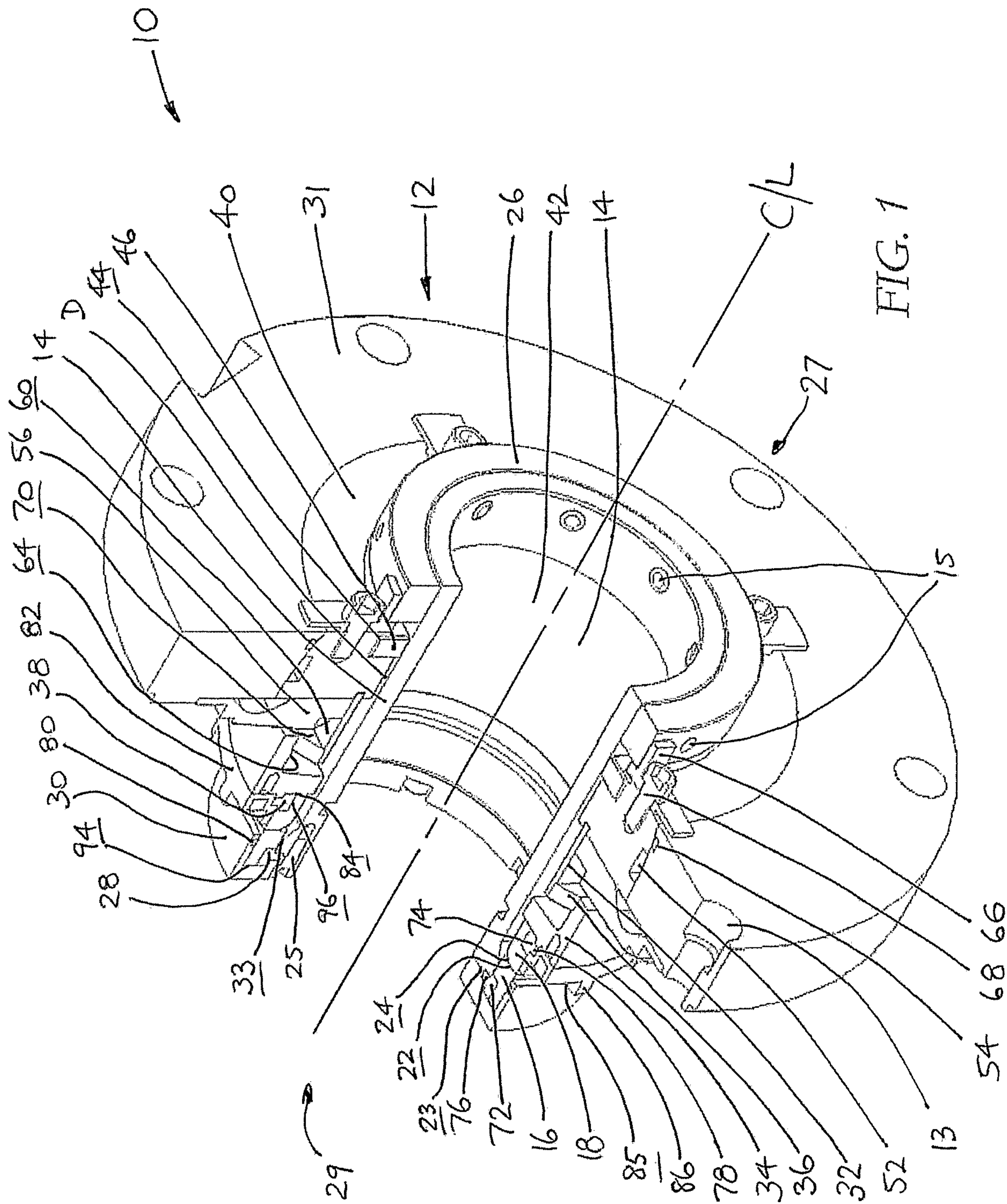


FIG. 1

2/6

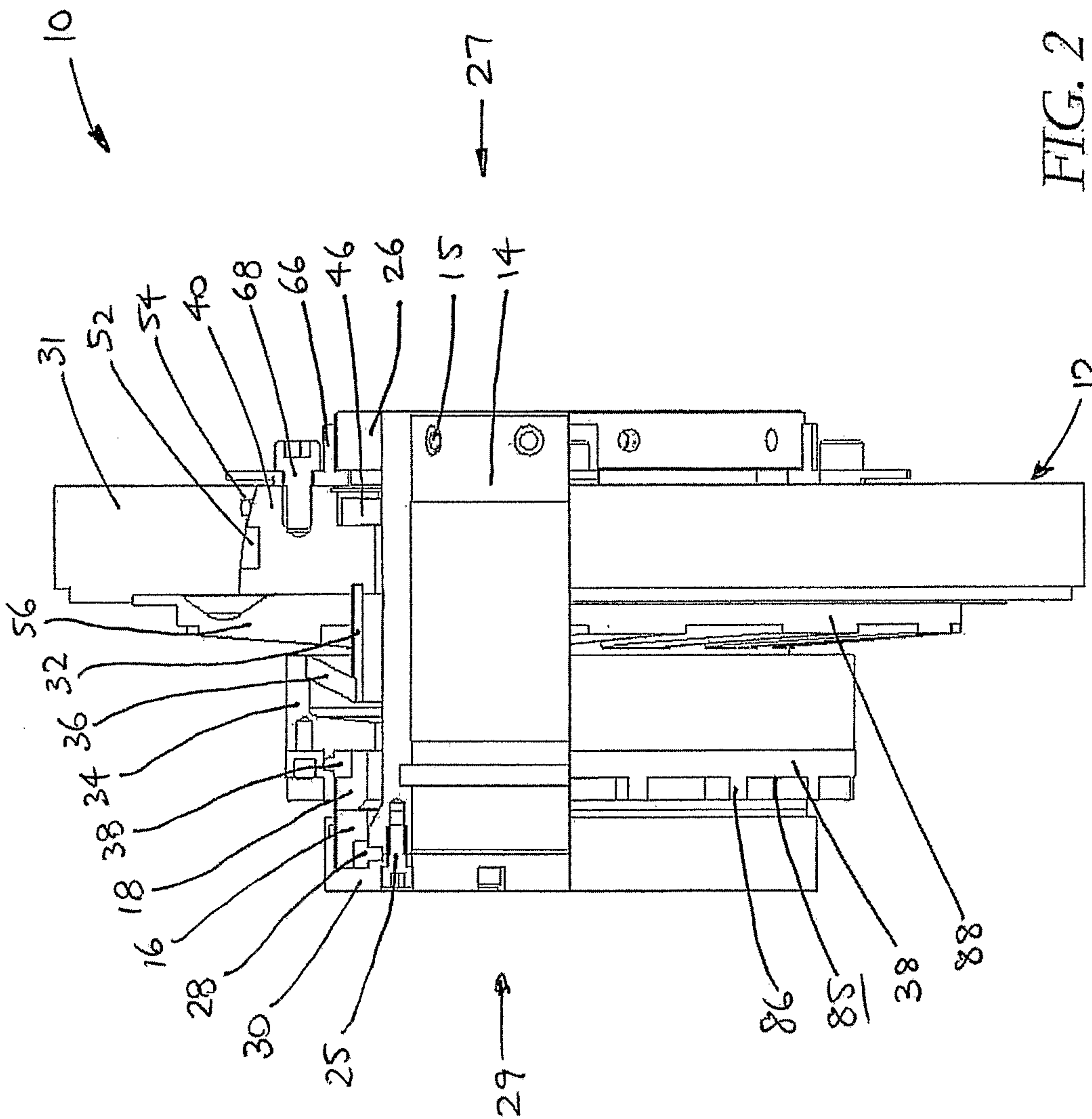


FIG. 2

3/6

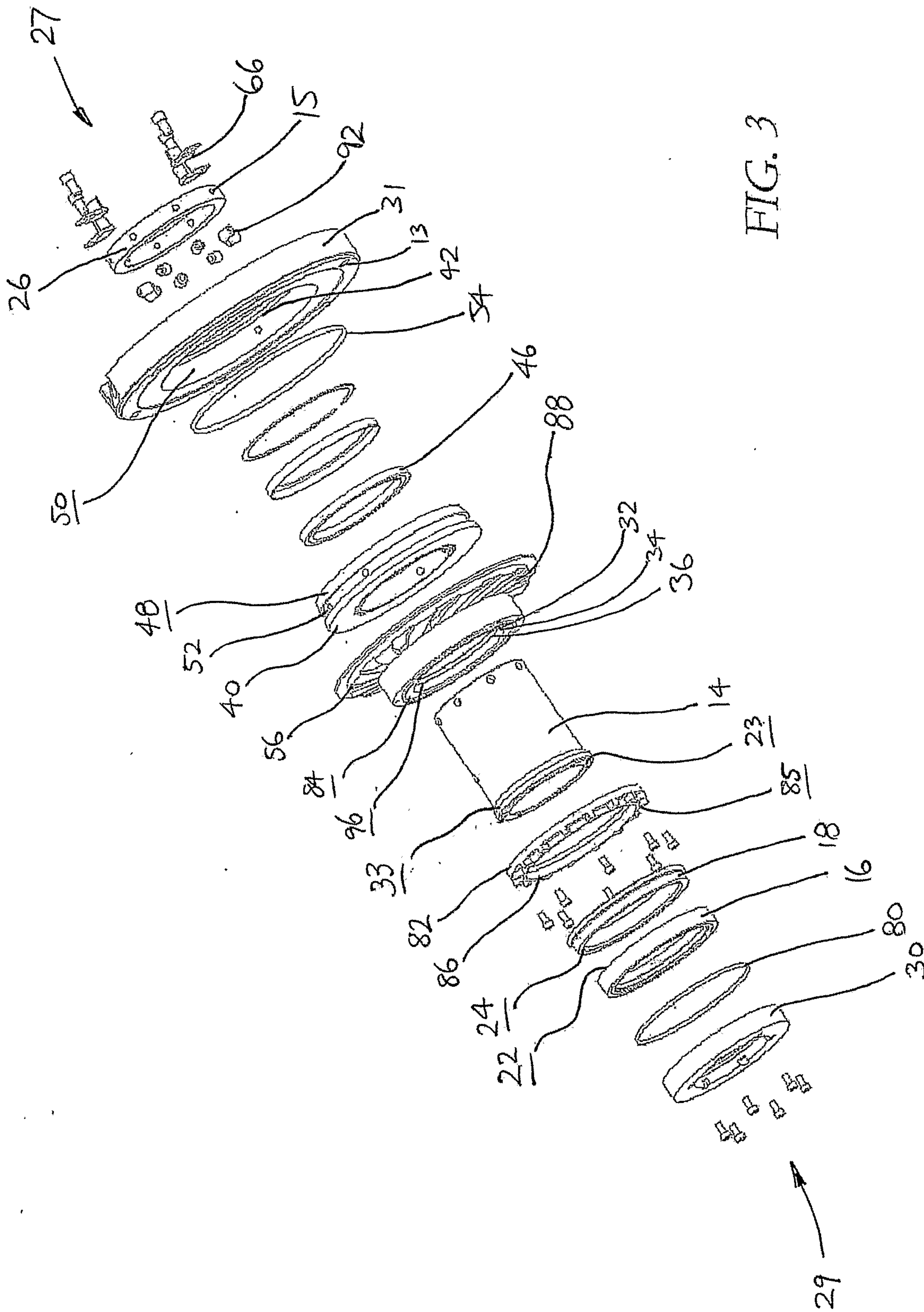


FIG. 3

4/6

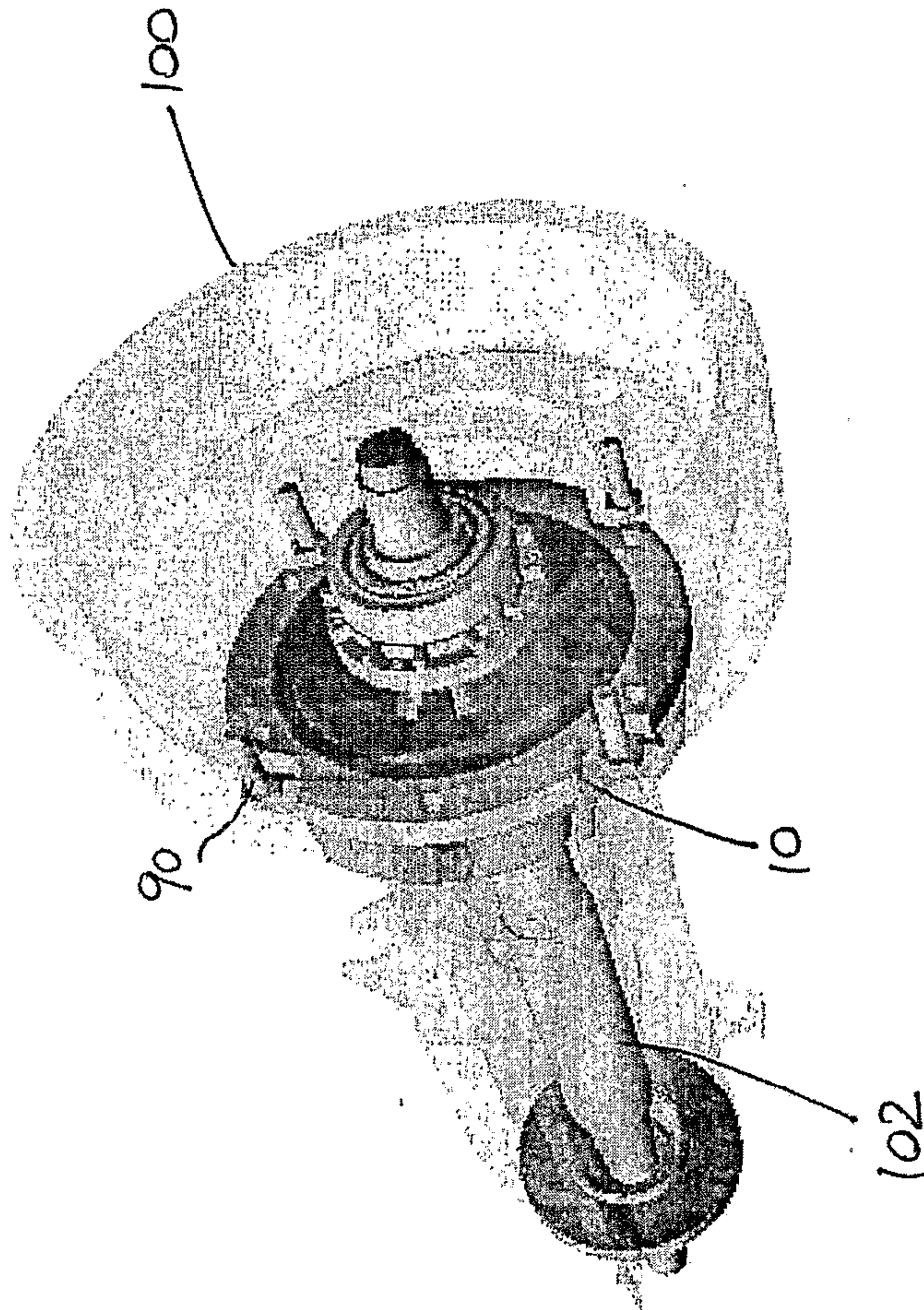


FIG. 4

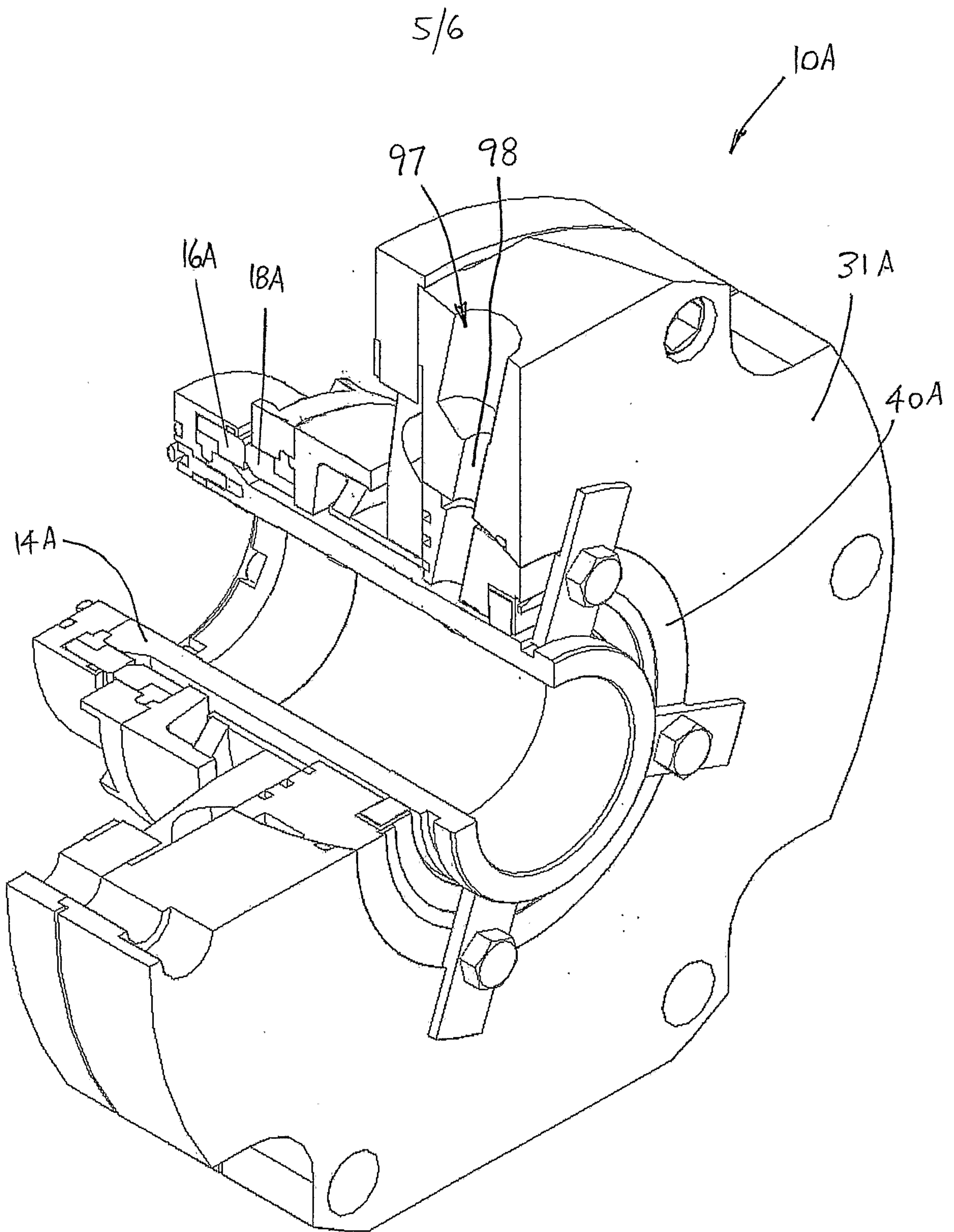


FIG. 5

6/6

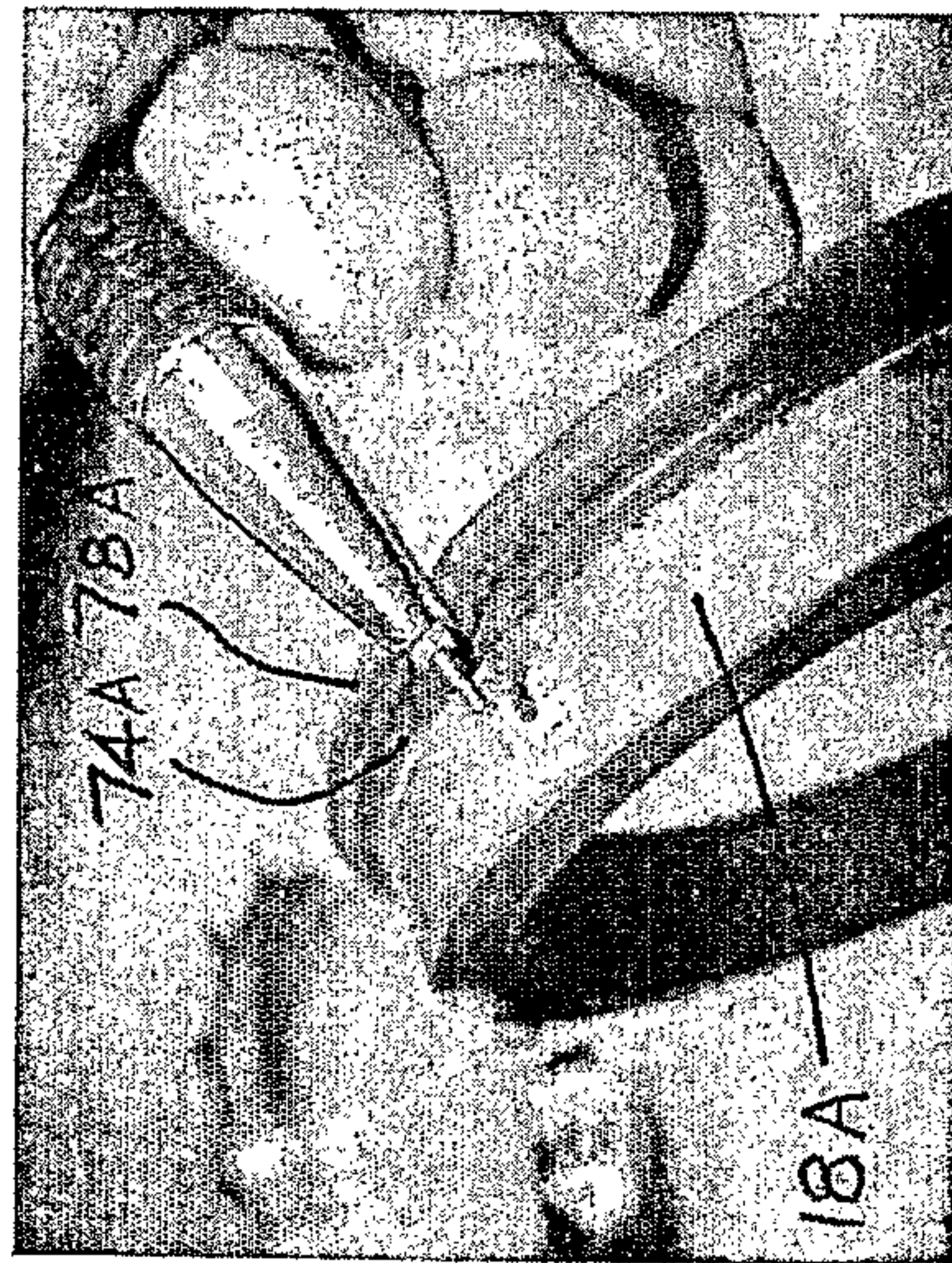
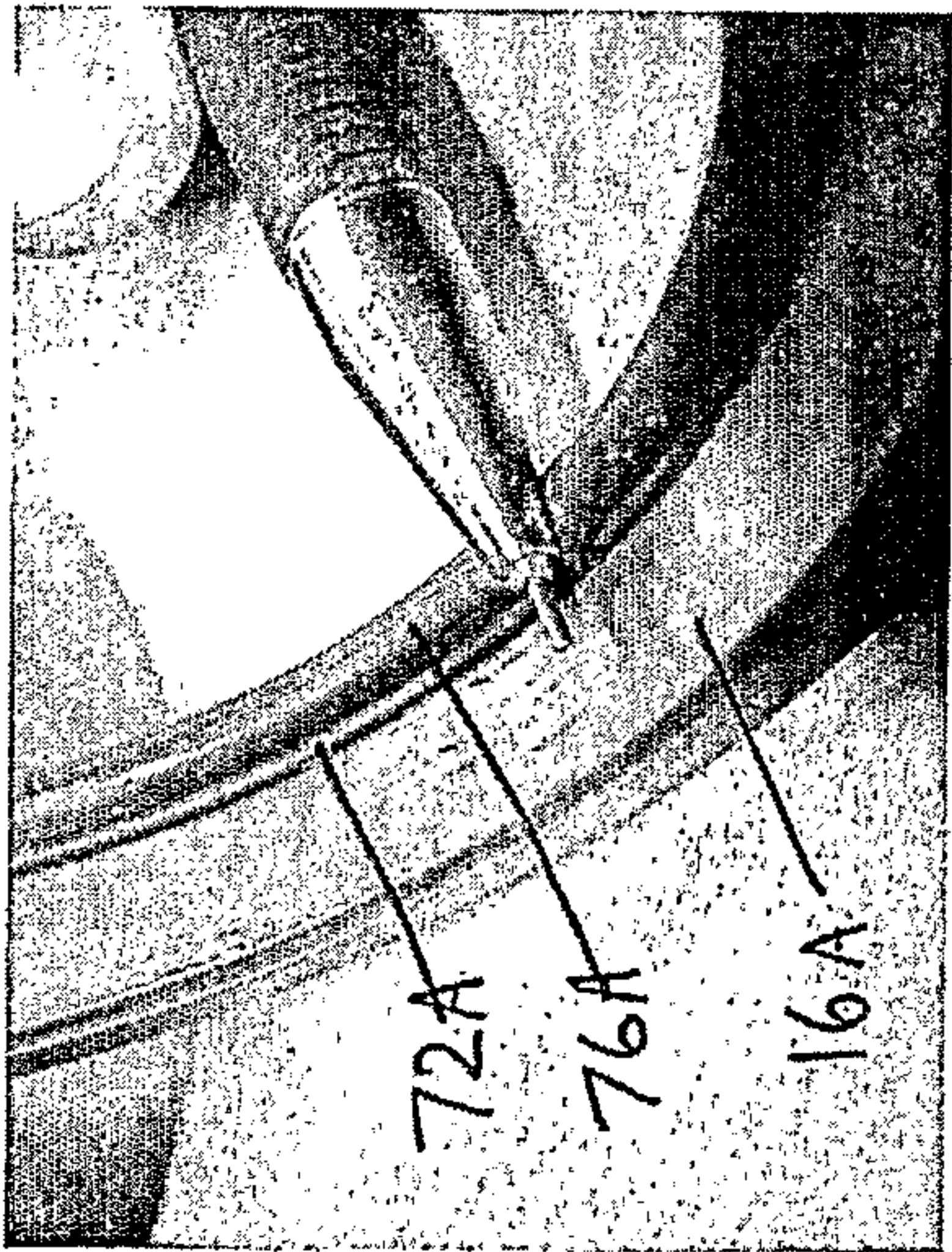
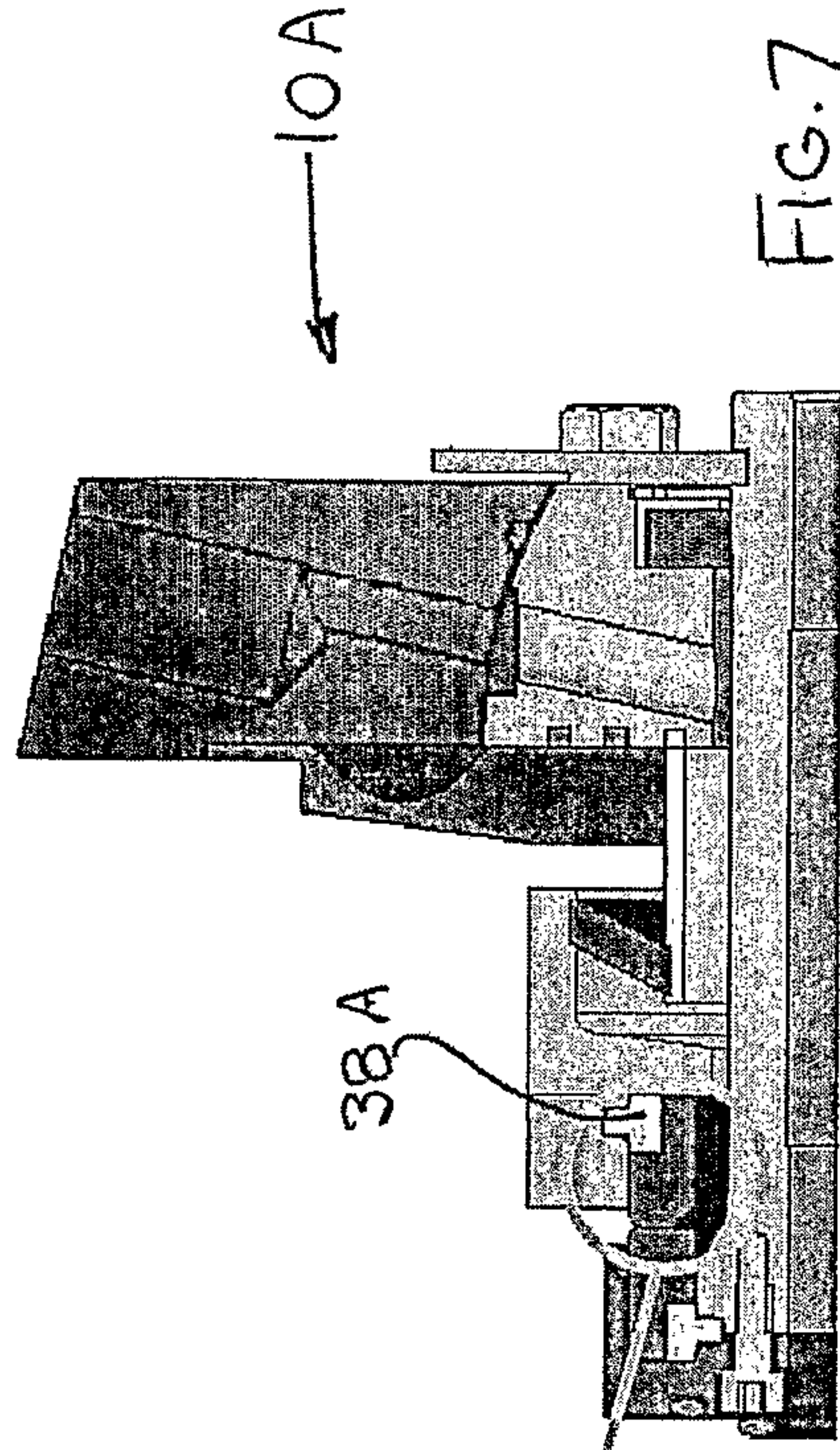
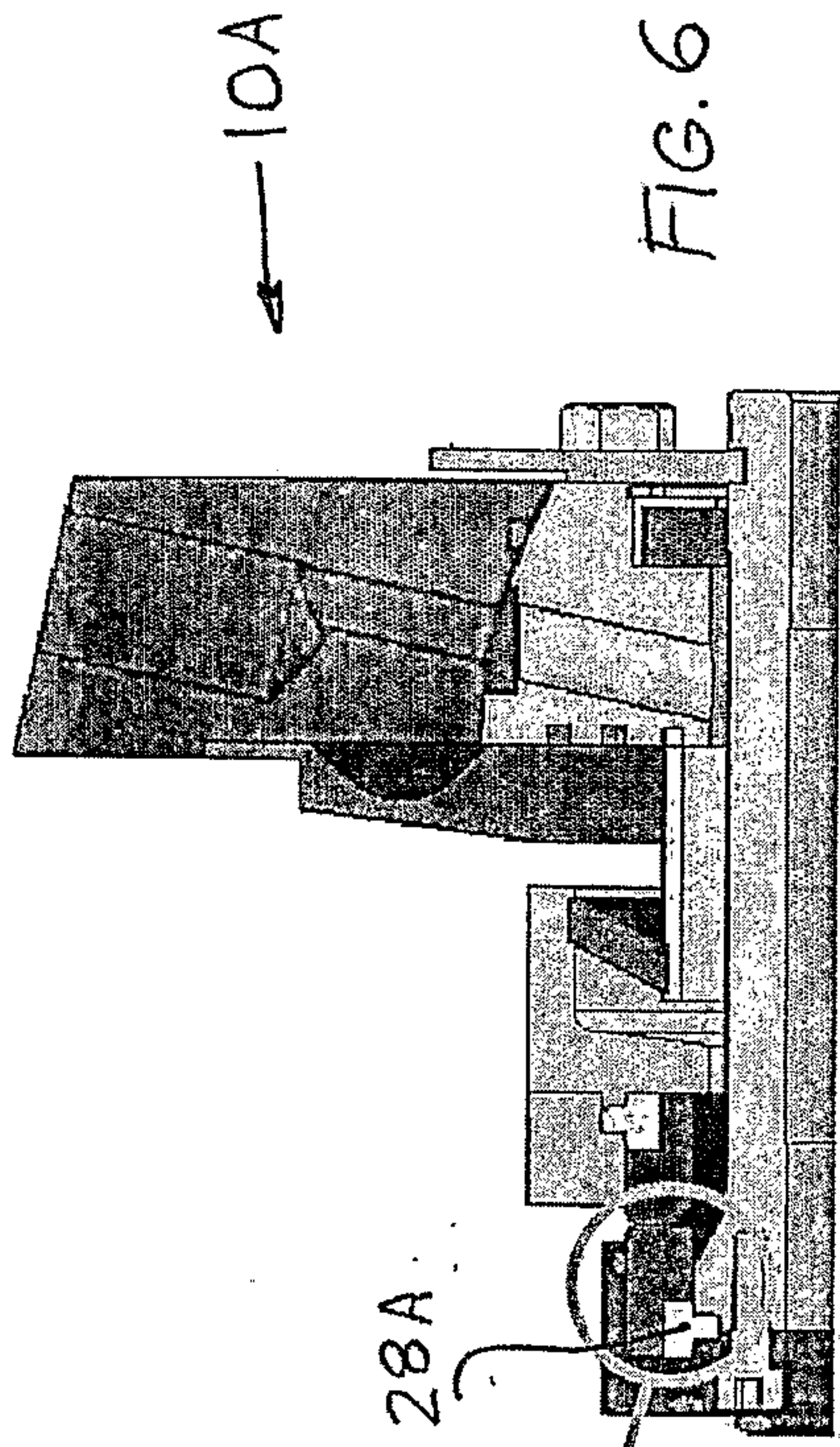


FIG. 6A

FIG. 7A

