



US00D359828S

United States Patent [19]

[11] Patent Number: **Des. 359,828**

Lindberg

[45] Date of Patent: **** Jun. 27, 1995**

[54] **SIDE PIECE FOR GOODS HANDLING TROLLEY**

Primary Examiner—Kay H. Chin
Attorney, Agent, or Firm—Larson and Taylor

[76] Inventor: **Jan Lindberg**, Sjostigen 20, S-714 72 Ställaldalen, Sweden

[57] **CLAIM**

[**] Term: **14 Years**

The ornamental design of a side piece for goods handling trolley, as shown and described.

[21] Appl. No.: **16,013**

DESCRIPTION

[22] Filed: **Dec. 6, 1993**

FIG. 1 is a right/top perspective view of the side piece for a goods handling trolley;

[52] U.S. Cl. **D34/27; D34/19**

FIG. 2 is a left/top perspective view of the same side piece;

[58] Field of Search **D34/27; 280/33.991, 280/33.995**

FIG. 3 is a rear/right perspective view of the side piece;

FIG. 4 is a front view;

FIG. 5 is a top view;

FIG. 6 is a bottom view of the side piece for the goods handling trolley; and,

FIG. 7 is a right/top perspective view of the side pieces depicted in FIG. 1 in use with a trolley shown in phantom.

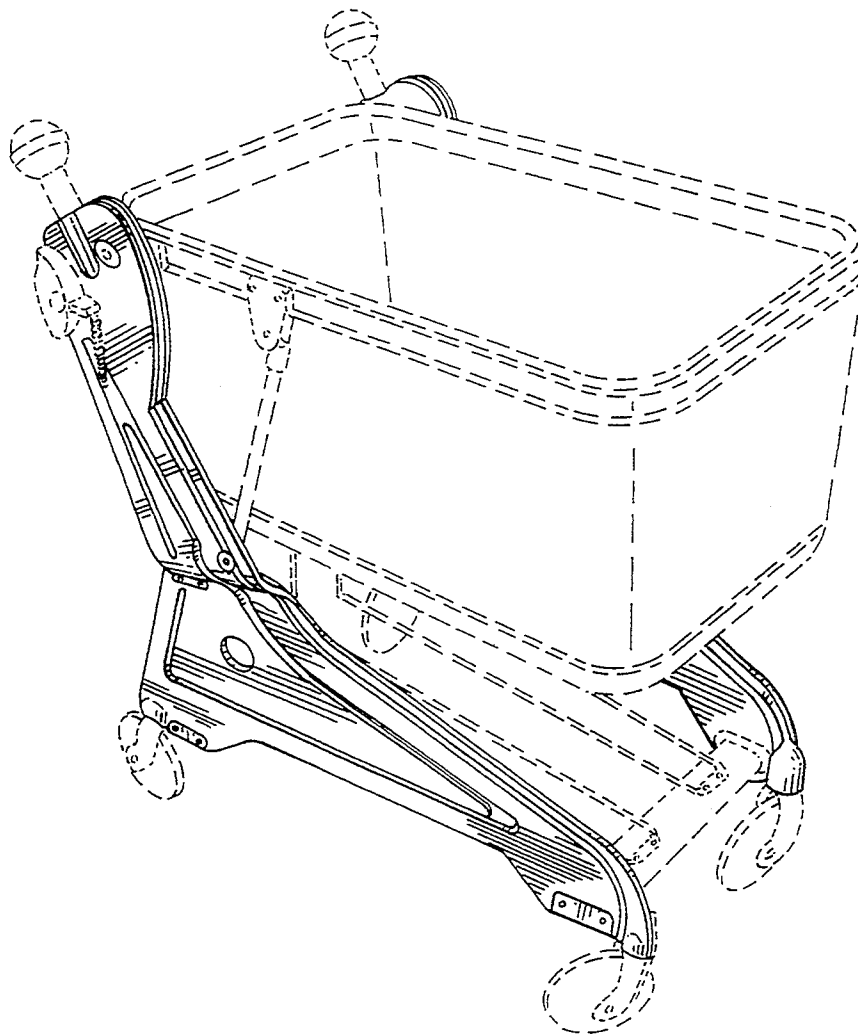
[56] References Cited

U.S. PATENT DOCUMENTS

4,746,134 5/1988 Rehrig 280/33.991

FOREIGN PATENT DOCUMENTS

161890 11/1985 European Pat. Off. 280/33.995



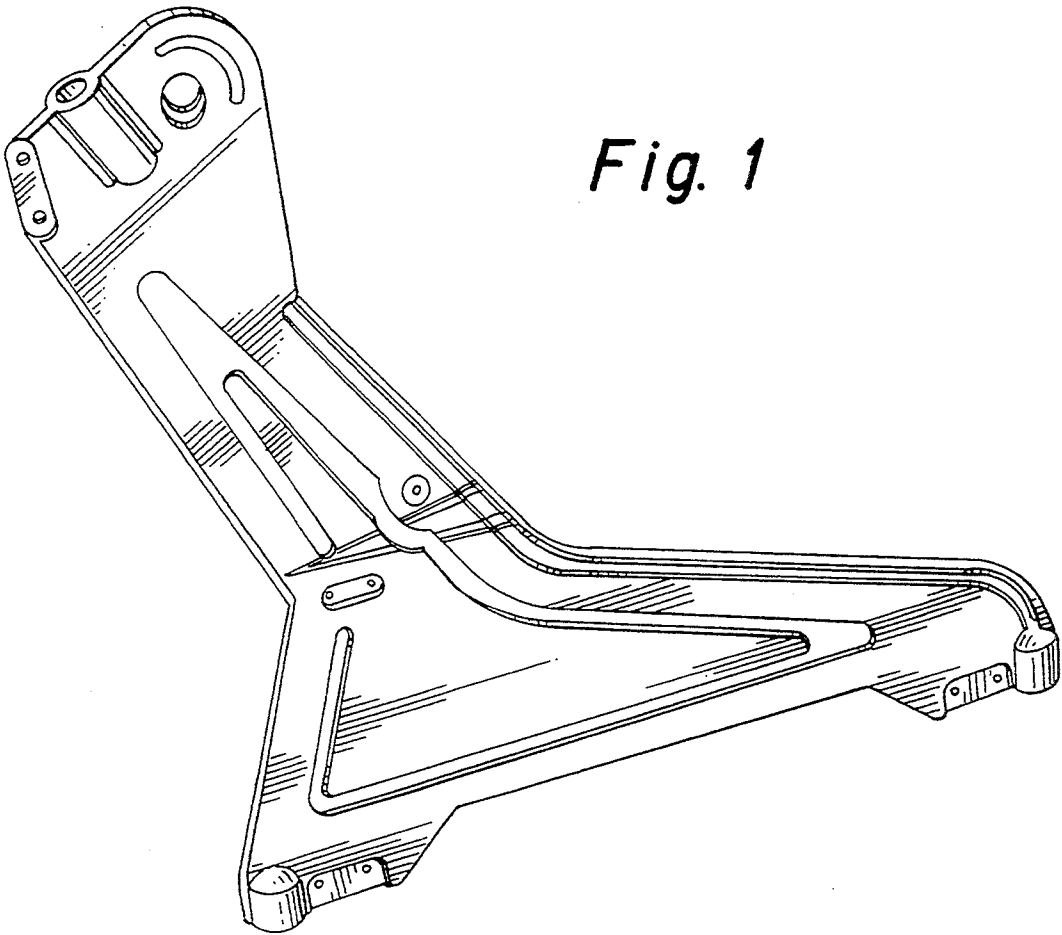


Fig. 1

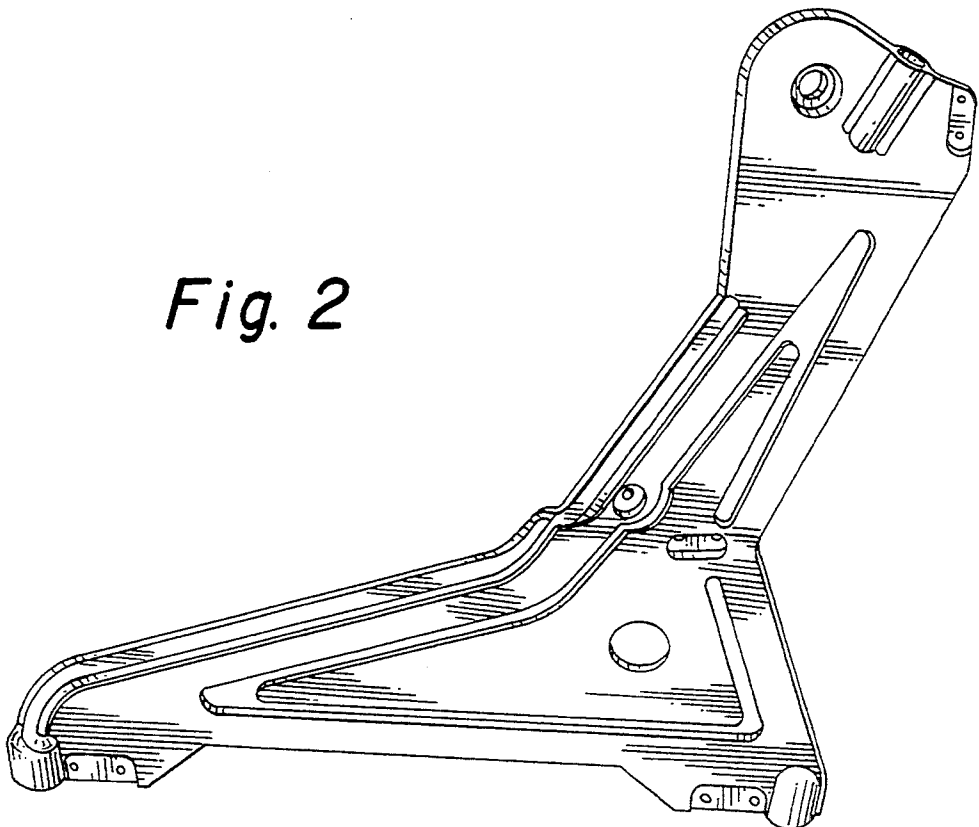


Fig. 2

Fig. 4

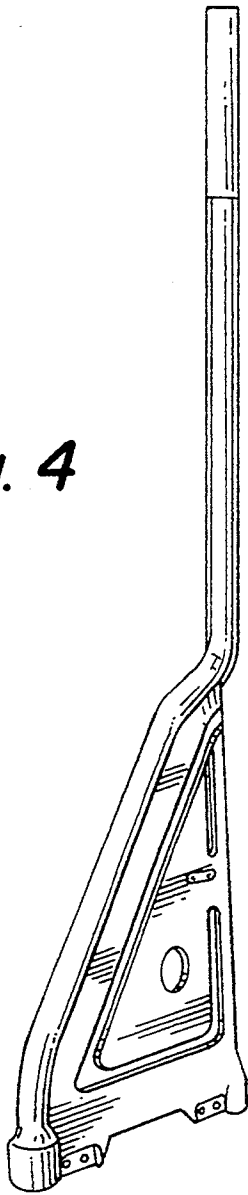


Fig. 3

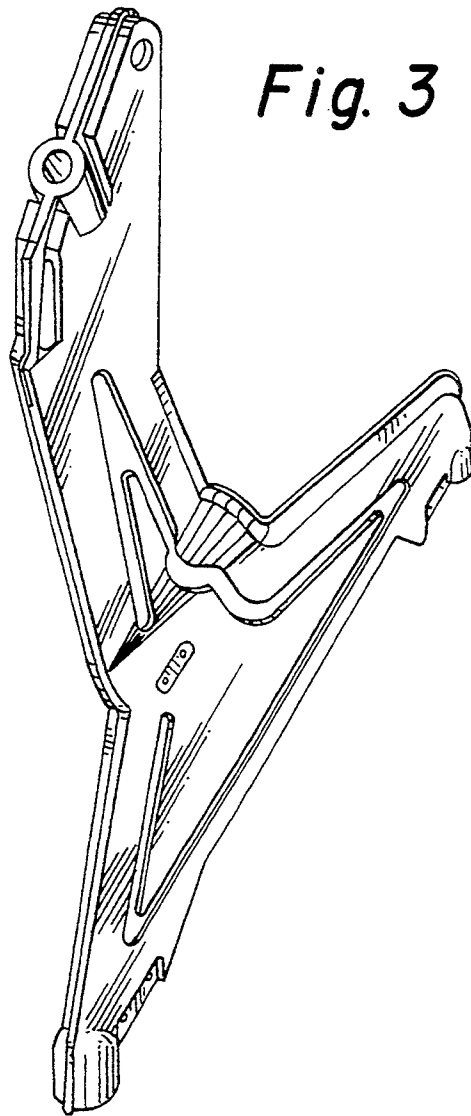


Fig. 5

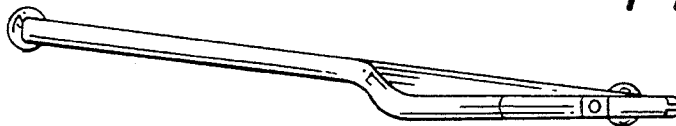


Fig. 6

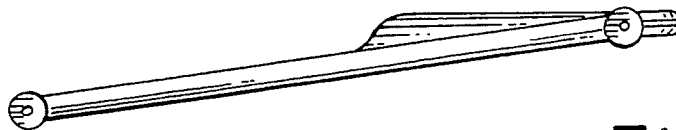


Fig. 7

