



US00D911510S

(12) **United States Design Patent**  
**Guthrie**

(10) **Patent No.:** **US D911,510 S**

(45) **Date of Patent:** **\*\* Feb. 23, 2021**

(54) **CEILING FAN**

(71) Applicant: **HUNTER FAN COMPANY,**  
Memphis, TN (US)

(72) Inventor: **Benjamin Scotti Guthrie,**  
Germantown, TN (US)

(73) Assignee: **Hunter Fan Company,** Memphis, TN  
(US)

(\*\*) Term: **15 Years**

(21) Appl. No.: **29/709,108**

(22) Filed: **Oct. 11, 2019**

**Related U.S. Application Data**

(60) Continuation of application No. 29/664,864, filed on  
Sep. 28, 2018, now Pat. No. Des. 867,573, which is  
a continuation of application No. 29/617,539, filed on  
Sep. 14, 2017, now abandoned, which is a division of  
application No. 29/557,369, filed on Mar. 8, 2016,  
now Pat. No. Des. 805,174.

(51) **LOC (13) Cl.** ..... **23-04**

(52) **U.S. Cl.**  
USPC ..... **D23/377**

(58) **Field of Classification Search**  
USPC ..... D23/370-385, 411-414; D26/59, 85, 86,  
D26/89, 90  
CPC ..... F04D 25/088; F04D 29/38; F04D 29/384;  
F04D 29/386; F21V 33/0096  
See application file for complete search history.

(56) **References Cited**

**U.S. PATENT DOCUMENTS**

4,073,598 A	2/1978	Mizutani et al.
D328,951 S	8/1992	Scofield et al.
D329,638 S	8/1992	Hsieh
D329,894 S	9/1992	Scofield
5,151,011 A	9/1992	Rezek

D360,939 S	8/1995	Wang
D386,257 S	11/1997	Liu
D389,908 S	1/1998	Dolan
D393,902 S	4/1998	Pickett
D396,531 S	7/1998	Lieu
D442,275 S	5/2001	Dolan
6,382,917 B1	5/2002	Zuege
D476,408 S	6/2003	Hidalgo
D477,397 S	7/2003	Chen
D478,980 S	8/2003	Hidalgo
D512,139 S	11/2005	Hidalgo

(Continued)

**OTHER PUBLICATIONS**

<http://ceilingfans.emerson.com/shop/en/fan/fans-s-emerson-fans/emerson-fans-browse-all/atomical-fan-p-cf930>, Emerson Indoor/Outdoor Brushed Steel Ceiling Fan with Light, accessed Aug. 8, 2018.

(Continued)

*Primary Examiner* — Cathron C Brooks  
*Assistant Examiner* — Sharon S Oum  
(74) *Attorney, Agent, or Firm* — McGarry Bair PC

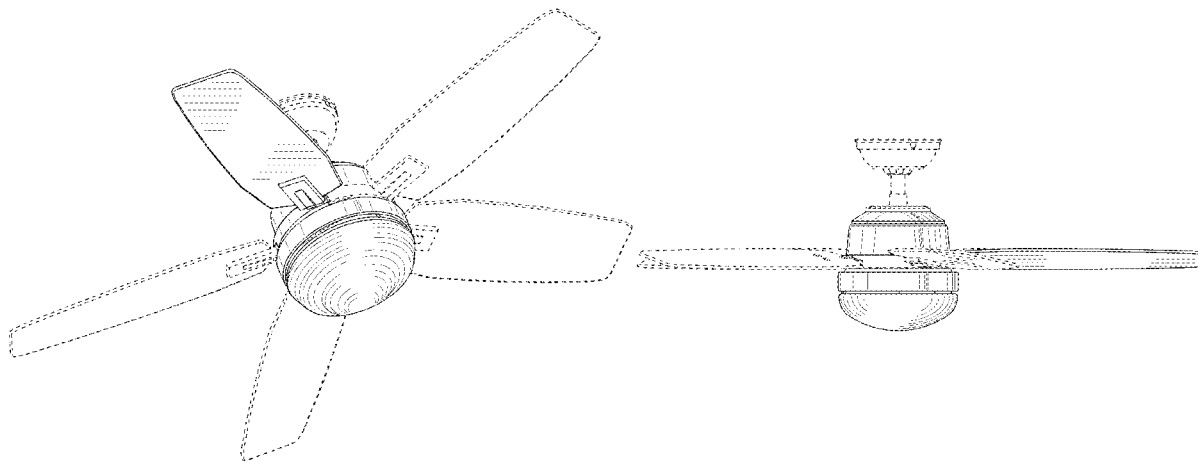
(57) **CLAIM**

The ornamental design for a ceiling fan, as shown and described.

**DESCRIPTION**

FIG. 1 is a top perspective view of a ceiling fan showing my new design;  
FIG. 2 is a bottom perspective view thereof;  
FIG. 3 is a top view thereof;  
FIG. 4 is a bottom view thereof;  
FIG. 5 is a front side view thereof;  
FIG. 6 is a right side view thereof;  
FIG. 7 is a rear view thereof; and,  
FIG. 8 is a left side view thereof.  
The broken lines illustrate portions of the ceiling fan that form no part of the claimed design.

**1 Claim, 8 Drawing Sheets**



(56)

References Cited

U.S. PATENT DOCUMENTS

D514,216	S	1/2006	Hidalgo	
D535,051	S	1/2007	Stauffer	
D535,738	S	1/2007	Pan	
D536,085	S	1/2007	Clymer	
D545,422	S	6/2007	Glasbrenner	
D551,753	S	9/2007	Ertze	
D621,024	S	8/2010	Orozco	
D627,873	S	11/2010	Pan	
D627,907	S	11/2010	Pan	
D632,381	S	2/2011	Davenport et al.	
D705,922	S	5/2014	Wang	
D707,336	S	6/2014	Pan	
D743,528	S	11/2015	Wang	
D744,629	S	12/2015	Wang	
D745,960	S	12/2015	Pickett	
D796,024	S *	8/2017	Holmes	D23/377
D800,891	S *	10/2017	McRoberts	D23/377
D803,380	S *	11/2017	Holmes	D23/377
D804,639	S *	12/2017	Guthrie	D23/377
D805,174	S *	12/2017	Guthrie	D23/377
D810,915	S *	2/2018	Guthrie	D23/377
D810,920	S *	2/2018	Haggar	D23/377
D816,204	S *	4/2018	McRoberts	D23/377
D825,052	S	8/2018	Guthrie	
D827,123	S	8/2018	Guthrie	
D834,734	S	11/2018	Guthrie	
D844,769	S	4/2019	McRoberts et al.	
D867,573	S *	11/2019	Guthrie	D23/411
D874,633	S *	2/2020	McRoberts	D23/377

OTHER PUBLICATIONS

<https://www.menards.com/main/lighting-ceiling-fans/ceiling-fans/shop-all-ceiling-fans/turn-of-the-century-savion-52in-new-bronze-ceiling-fan/p-1444438%E2%80%A6>, Turn of the Century Savion 52" New Bronze Ceiling Fan, Model No. fn7027nz, accessed Aug. 8, 2018.

<http://www.kichler.com/products/product/56-ellys-ceiling-fan-ni-300239ni.aspx>, Kichler Elyls Collection 56" Ceilig Fan NI, Model No. 300239NI, accessed Aug. 8, 2017.

<http://www.homedepot.com/p/Home-Decorators-Collection-Carrington-60-in-Natural-Iron-Ceiling-Fan-YG419-NI/05710656>, Hampton Bay Carrington 60 in. Natural Iron Ceiling Fan, Model No. YG419-NI, accessed Aug. 8, 2017.

<https://goodpriceappliances.com/products/kichler-lighting-300181oz-52-inch-lacey-ceiling-fan-olde-bronze-by-kichler-lighting>, Kichler Lacey Ceiling Fan, 52 in. Olde Bronze, Product No. 300181OZ, accessed Aug. 8, 2017.

<http://www.hunterfan.com/Ceiling-Fans/Eurus?ModelNumber=59054>, Hunter Fan Eurus, 54" Ceiling Fan, Model No. 59054 Brushed Nickel Finish, accessed Aug. 8, 2017.

<http://www.homedepot.com/p/Hampton-Bay-Northport-52-in-Brushed-Nickel-Ceiling-Fan-14926/202790687>, Hampton Bay Northport 52 in. Brushed Nickel Ceiling Fan, Model No. 14926, accessed Aug. 8, 2017.

<http://www.quoruminternational.com/index.cfm/app/productDetail?product=81725-65>, Quorum International Ceiling Fan, Vector Satin Nickel, Product No. 81725-65, accessed Aug. 8, 2017.

<http://www.montecarlofans.com/37636/56-Turbine---Black-8TNR56BKD>, Monte Carlo Turbine Collection, 56" Ceiling Fan, Products No. 8TNR56BKD, accessed Aug. 8, 2017.

<http://www.kichler.com/products/product/52-inch-leeds-fan-ap-300427ap.aspx>, Kichler Leeds Collection, 52 in. Ceiling Fan, Antique Pewter, Model No. 300427AP, accessed Aug. 8, 2017.

<http://www.fanimation.com/products/index.php/fans/benito.html>, Fanimation Benito Ceiling Fan, Model No. FP8003, accessed Aug. 8, 2017.

<http://www.kichler.com/products/product/60-terra-select-ceiling-fan-bap-330250bap.aspx>, Kichler Serra Select Collection, Product No. 330250BAP, accessed Aug. 8, 2017.

<http://www.craftmade.com/pulsar-pu52ss5>, Craftmade Pulsar, 52" Ceiling Fan with Blades and Light, Product No. PU52SS5, accessed Aug. 8, 2017.

<http://www.kingoffans.com/#/products/ceilingFans>, King of Fans Carousel III Ceiling Fan, SKU No. 665-862, Model No. 46750, accessed Aug. 8, 2017.

<http://www.craftmade.com/montreal-mn44ss4>, Craftmade Montreal 44" Ceiling Fan with Blades and Light, Model No. MN44SS4, accessed Aug. 8, 2017.

<http://www.homedepot.com/p/Hampton-Bay-Sussex-II-52-in-Brushed-Nickel-Ceiling-Fan-AL694-BN/203244867>, Hampton Bay Sussex II 52" in. Brushed Nickel Ceiling Fan, Model No. AL694-BN, accessed Aug. 8, 2017.

<http://www.kingoffans.com/#/products/ceilingFans>, King of Fan Midili Ceiling Fan SKU No. 903-913, Model No. 68044, accessed Aug. 8, 2017.

Hunter 59243 Dempsey Low Profile With Light Brushed Nickel Ceiling Fan With Light & Remote, date first available Feb. 29, 2016, amazon.com, site visited Jul. 14, 2017, Copyright © 1996-2017, Available from Internet, [https://www.amazon.com/Hunter-59243-Dempsey-Profile-Fan/dp/B01CDG05NK/ref=sr\\_1\\_2?ie=UTF8&qid=1498059323&sr=8-2&keywords=hunter+dempsey](https://www.amazon.com/Hunter-59243-Dempsey-Profile-Fan/dp/B01CDG05NK/ref=sr_1_2?ie=UTF8&qid=1498059323&sr=8-2&keywords=hunter+dempsey).

Casablanca 59022 Isotope 52-Inch 5-Blade Single Light Ceiling Fan, date first available Apr. 24, 2009, amazon.com, site visited Jul. 14, 2017, Copyright © 1996-2017, Available from Internet, [https://www.amazon.com/Casablanca-59022-isotope-52-Inch-Espresso/dp/B0050VY2M2/ref=sr\\_1\\_2?ie=UTF8&qid=1500045128&sr=8-2&keywords=casablanca+fan+isotope](https://www.amazon.com/Casablanca-59022-isotope-52-Inch-Espresso/dp/B0050VY2M2/ref=sr_1_2?ie=UTF8&qid=1500045128&sr=8-2&keywords=casablanca+fan+isotope).

Fanimation FP6728DZ Xena, date first available Sep. 26, 2015, amazon.com, site visited Jul. 14, 2017, Copyright © 1996-2017, Available from Internet, [https://www.amazon.com/Fanimation-FP6728DZ-Xeno-Blades-Bronze/dp/B015UH37L6/ref=sr\\_1\\_1?ie=UTF8&qid=1500045614&sr=8-1&keywords=fanimation+xeno](https://www.amazon.com/Fanimation-FP6728DZ-Xeno-Blades-Bronze/dp/B015UH37L6/ref=sr_1_1?ie=UTF8&qid=1500045614&sr=8-1&keywords=fanimation+xeno).

\* cited by examiner

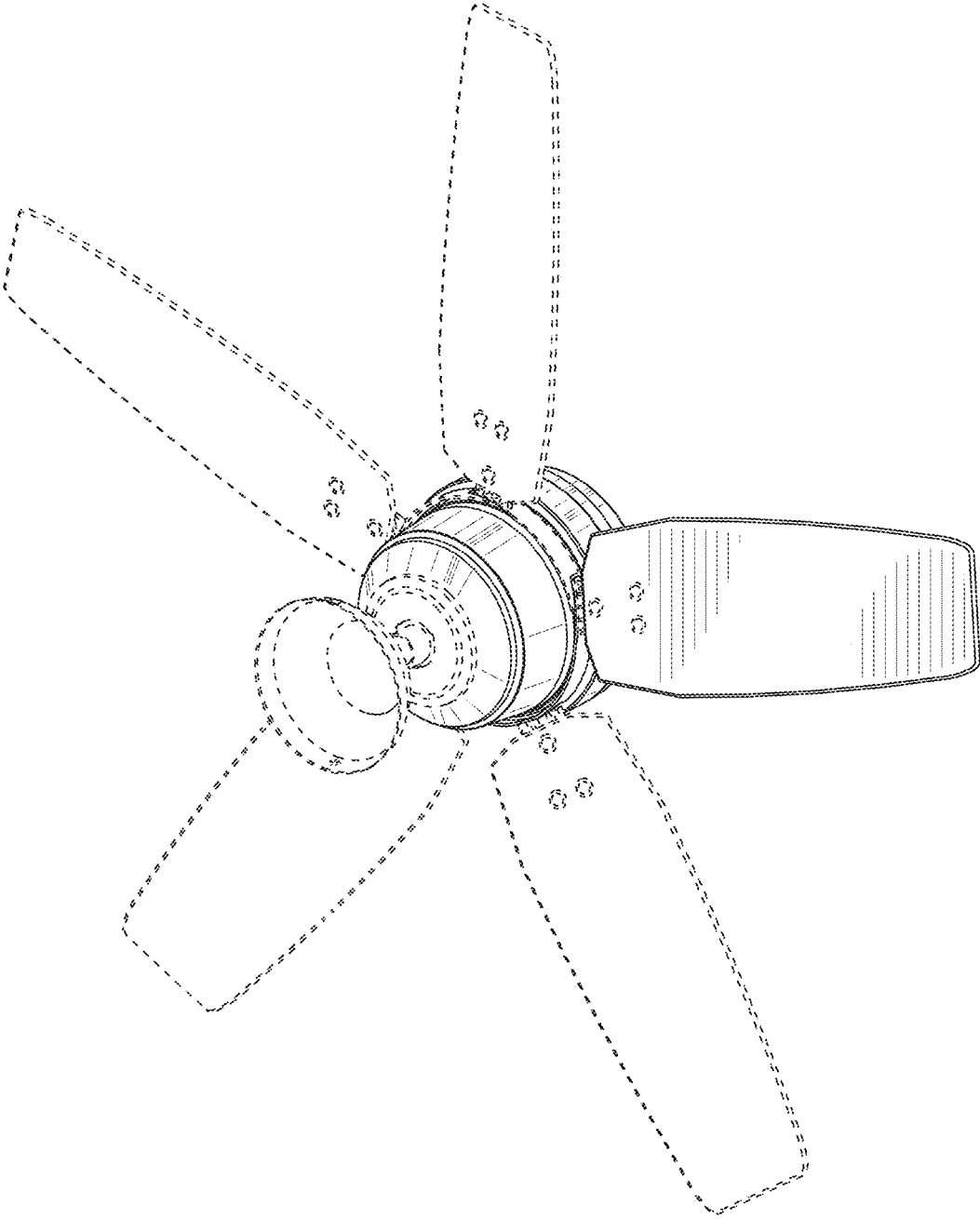


FIG. 1

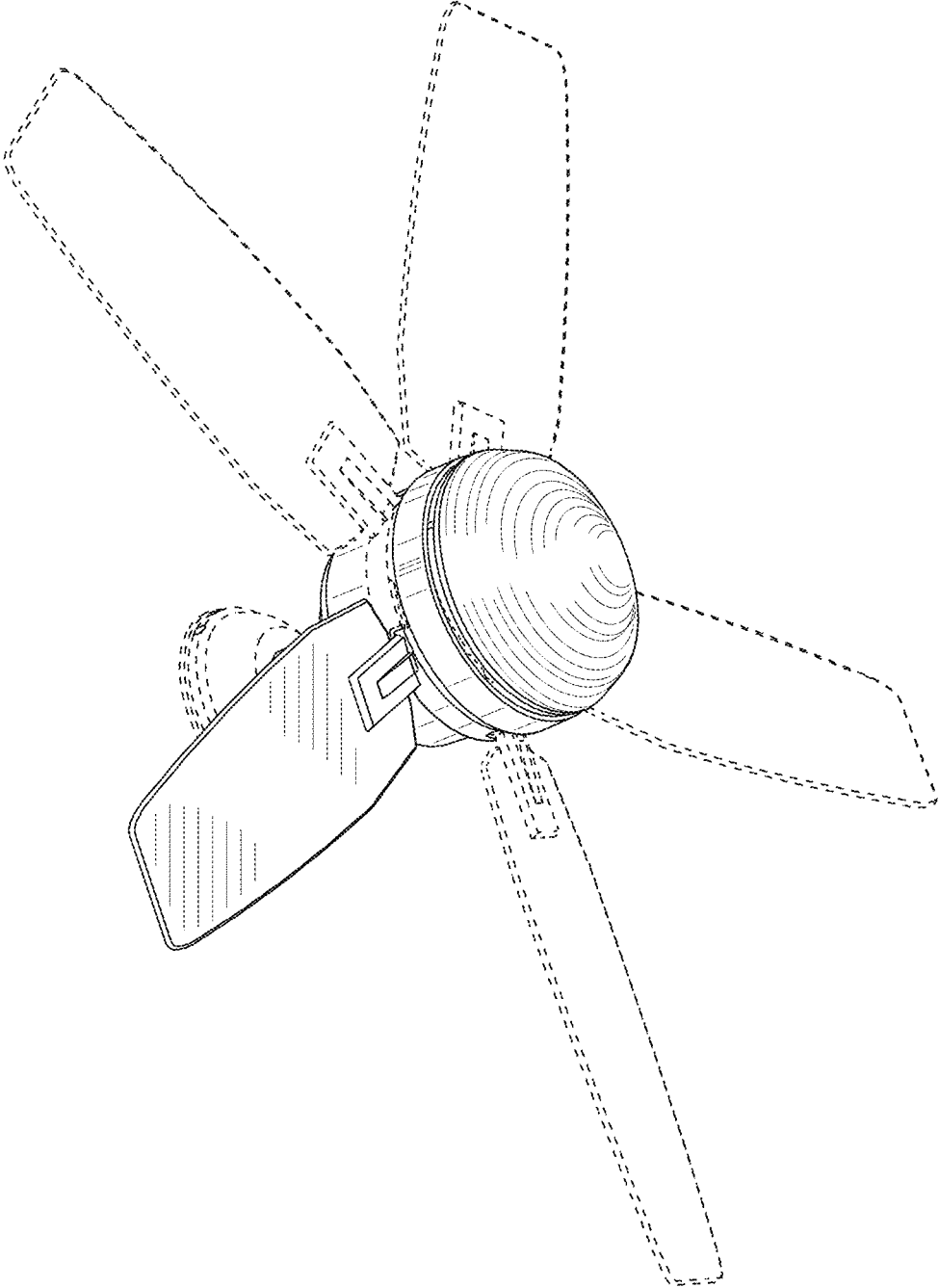


FIG. 2

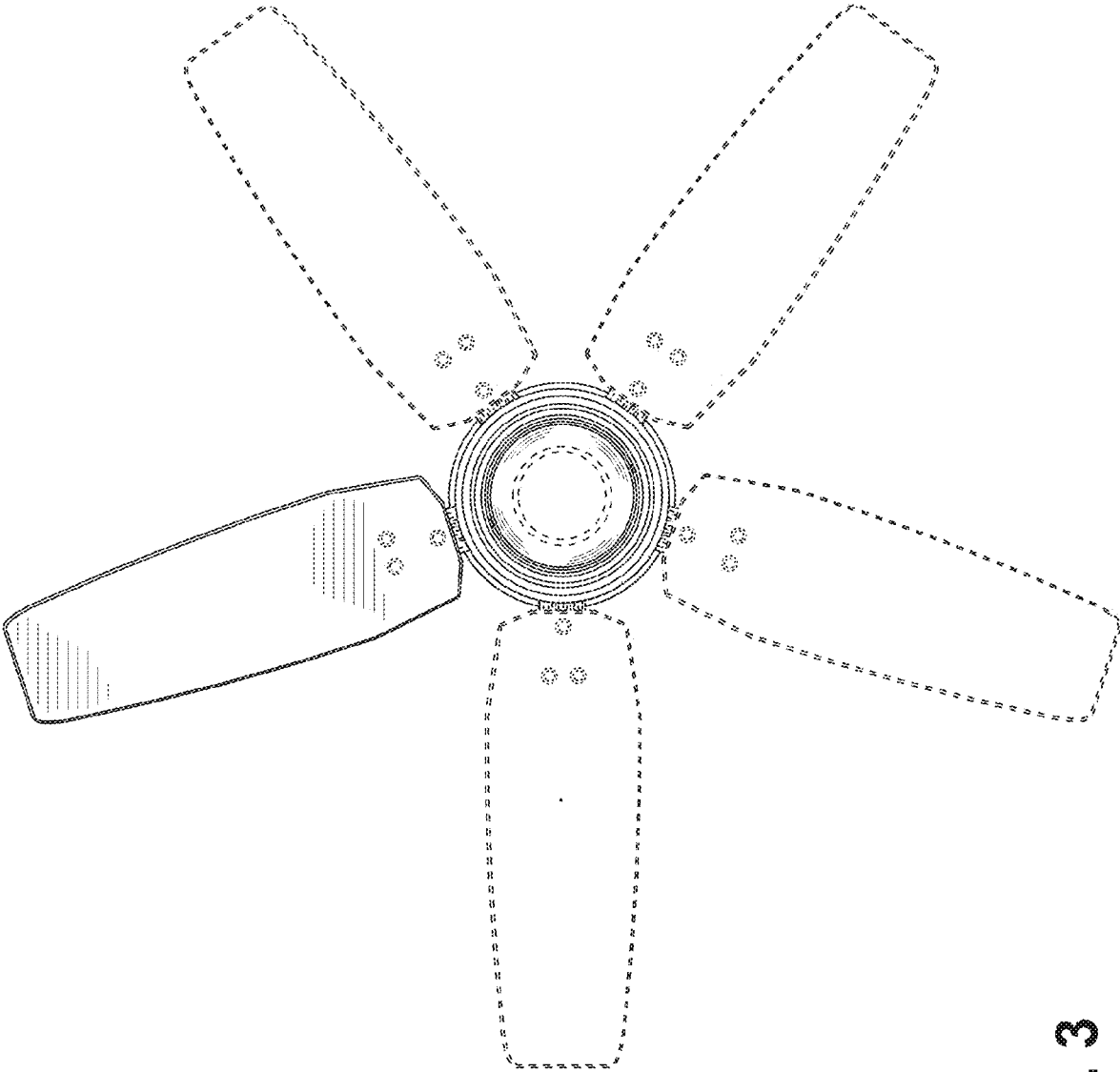


FIG. 3

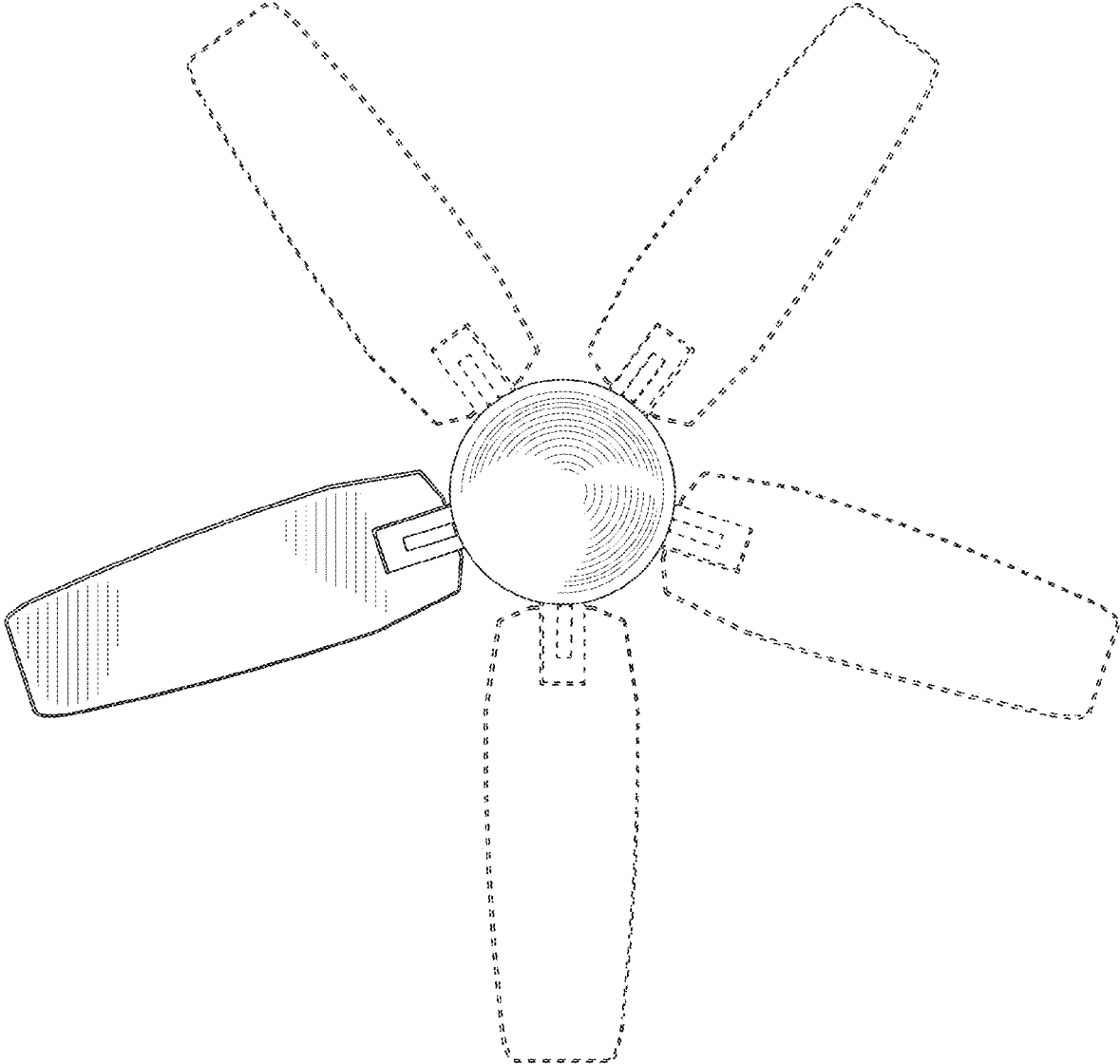


FIG. 4

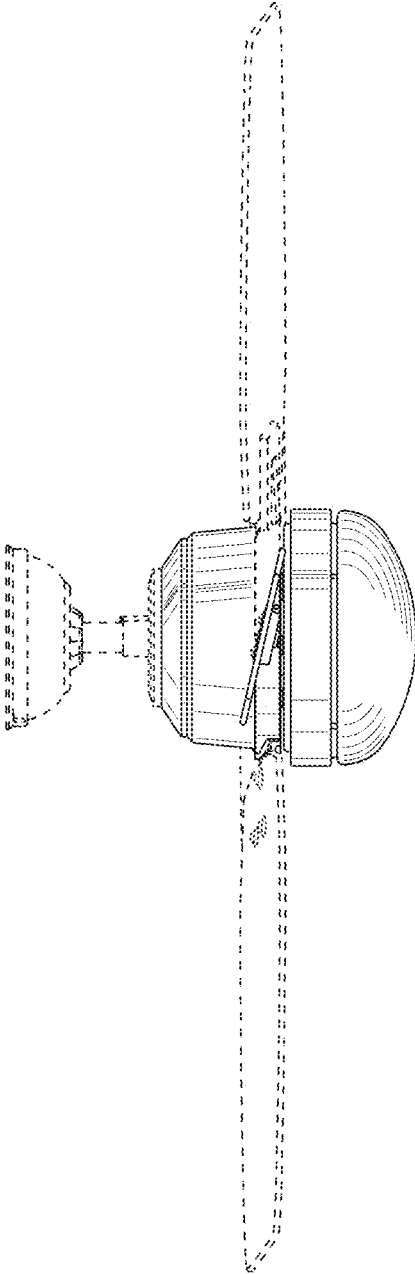


FIG. 5

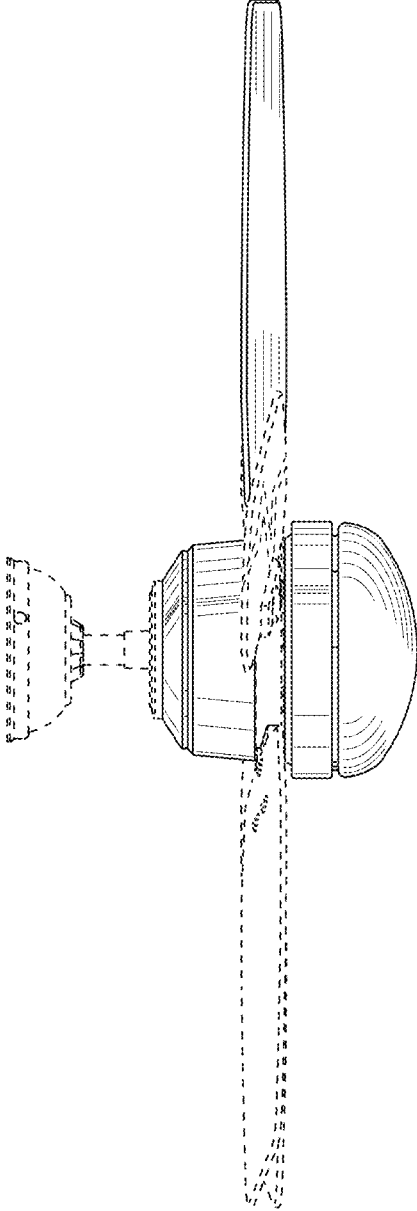


FIG. 6



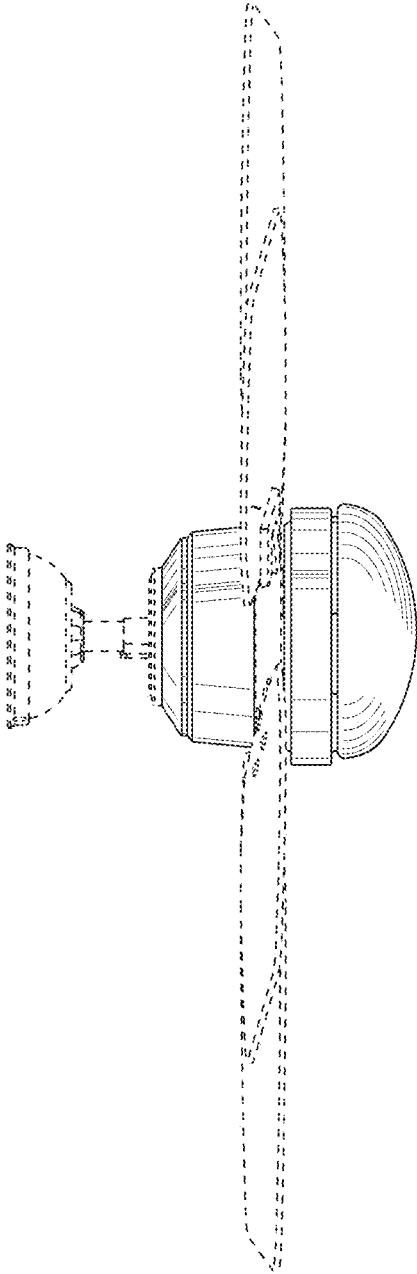


FIG. 7

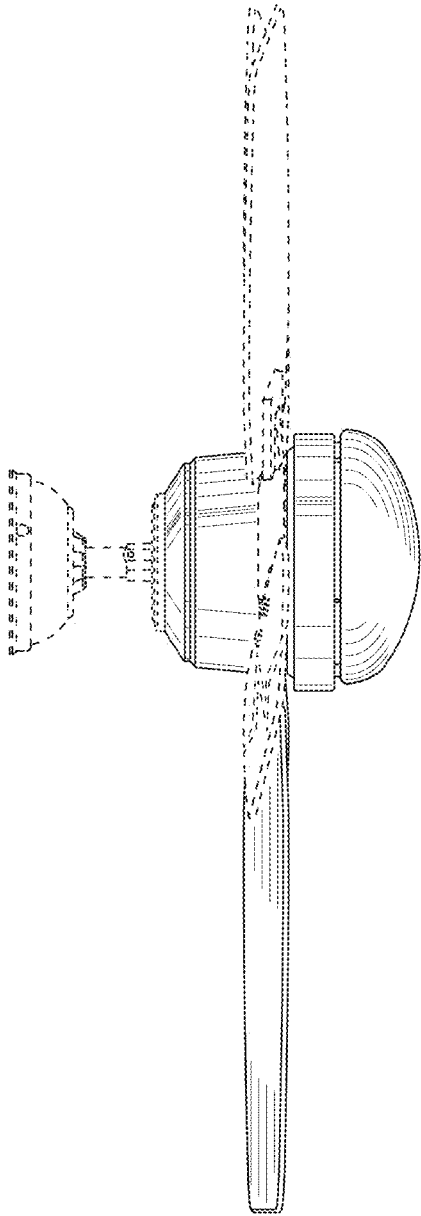


FIG. 8