

(19) World Intellectual Property Organization  
International Bureau



(43) International Publication Date  
21 August 2008 (21.08.2008)

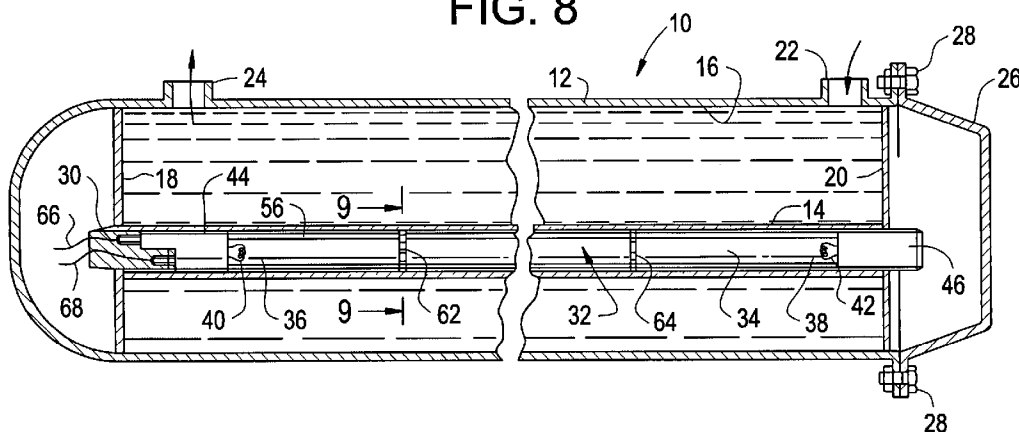
PCT

(10) International Publication Number  
**WO 2008/101182 A3**

- (51) **International Patent Classification:**  
H01J 5/50 (2006.01)
- (21) **International Application Number:**  
PCT/US2008/054121
- (22) **International Filing Date:**  
15 February 2008 (15.02.2008)
- (25) **Filing Language:** English
- (26) **Publication Language:** English
- (30) **Priority Data:**  
11/675,315 15 February 2007 (15.02.2007) US  
11/870,256 10 October 2007 (10.10.2007) US
- (71) **Applicant (for all designated States except US):** LIGHT-SOURCES INC. [US/US]; 37 Robinson Boulevard, Orange, CT 06477 (US).
- (72) **Inventor; and**
- (75) **Inventor/Applicant (for US only):** ZAYAS, Betty, Jean [US/US]; 20 Sullivan Place, Bridgeport, CT 06610 (US).
- (74) **Agent:** LENT, Daniel, P.; Cantor Colburn LLP, 20 Church St., 22nd Floor, Hartford, CT 06103-3207 (US).
- (81) **Designated States (unless otherwise indicated, for every kind of national protection available):** AE, AG, AL, AM, AO, AT, AU, AZ, BA, BB, BG, BH, BR, BW, BY, BZ, CA, CH, CN, CO, CR, CU, CZ, DE, DK, DM, DO, DZ, EC, EE, EG, ES, FI, GB, GD, GE, GH, GM, GT, HN, HR, HU, ID, IL, IN, IS, JP, KE, KG, KM, KN, KP, KR, KZ, LA, LC, LK, LR, LS, LT, LU, LY, MA, MD, ME, MG, MK, MN, MW, MX, MY, MZ, NA, NG, NI, NO, NZ, OM, PG, PH, PL, PT, RO, RS, RU, SC, SD, SE, SG, SK, SL, SM, SV, SY, TJ, TM, TN, TR, TT, TZ, UA, UG, US, UZ, VC, VN, ZA, ZM, ZW.
- (84) **Designated States (unless otherwise indicated, for every kind of regional protection available):** ARIPO (BW, GH, GM, KE, LS, MW, MZ, NA, SD, SL, SZ, TZ, UG, ZM, ZW), Eurasian (AM, AZ, BY, KG, KZ, MD, RU, TJ, TM), European (AT, BE, BG, CH, CY, CZ, DE, DK, EE, ES, FI, FR, GB, GR, HR, HU, IE, IS, IT, LT, LU, LV, MC, MT, NL, NO, PL, PT, RO, SE, SI, SK, TR), OAPI (BF, BJ, CF, CG, CI, CM, GA, GN, GQ, GW, ML, MR, NE, SN, TD, TG).
- Published:**  
— with international search report  
— before the expiration of the time limit for amending the claims and to be republished in the event of receipt of amendments
- (88) **Date of publication of the international search report:**  
8 January 2009

(54) **Title:** ULTRAVIOLET LAMP FOR USE IN WATER PURIFIERS

FIG. 8



(57) **Abstract:** A lamp base is provided having terminal pins mounted on and extending outwardly along a longitudinal axis of the lamp base. At least one of the pins may be a female pin connector. The female pin connector may be provided within a sheath that extends from an end of the lamp base along a longitudinal axis of the lamp base.

WO 2008/101182 A3

## INTERNATIONAL SEARCH REPORT

International application No.

PCT/US 08/54121

<b>A. CLASSIFICATION OF SUBJECT MATTER</b> IPC(8) - H01J 5/50 (2008.04) USPC - 313/318.05 According to International Patent Classification (IPC) or to both national classification and IPC		
<b>B. FIELDS SEARCHED</b> Minimum documentation searched (classification system followed by classification symbols) USPC - 313/318.05		
Documentation searched other than minimum documentation to the extent that such documents are included in the fields searched USPC - 313/317, 318.01, 318.02, 318.05		
Electronic data base consulted during the international search (name of data base and, where practicable, search terms used) PubWEST (PGPB,USPT,EPAB,JPAB), Google Scholar Search Terms Used: lamp, light, base, socket, male, female, adapter, pin connector, tube, key, recess, locking, interlocking, sheath, cavity		
<b>C. DOCUMENTS CONSIDERED TO BE RELEVANT</b>		
Category*	Citation of document, with indication, where appropriate, of the relevant passages	Relevant to claim No.
X	US 6,634,902 B1 (Pirovic) 21 October 2003 (21.10.2003), especially col 2 ln 65 - col 3 ln 21, col 3 ln 62 - col 4 ln 14, col 4 ln 49-67, fig 1-2	1,4-8,11-12,15,20
Y		2-3,9-10,13-14,16-19
Y	US 5,634,820 A (Vakil) 3 June 1997 (03.06.1997) especially col 5 ln 34-37, fig 8-9	2-3,9-10,13-14,16-19
<input type="checkbox"/> Further documents are listed in the continuation of Box C. <input type="checkbox"/>		
* Special categories of cited documents: "A" document defining the general state of the art which is not considered to be of particular relevance "E" earlier application or patent but published on or after the international filing date "L" document which may throw doubts on priority claim(s) or which is cited to establish the publication date of another citation or other special reason (as specified) "O" document referring to an oral disclosure, use, exhibition or other means "P" document published prior to the international filing date but later than the priority date claimed "T" later document published after the international filing date or priority date and not in conflict with the application but cited to understand the principle or theory underlying the invention "X" document of particular relevance; the claimed invention cannot be considered novel or cannot be considered to involve an inventive step when the document is taken alone "Y" document of particular relevance; the claimed invention cannot be considered to involve an inventive step when the document is combined with one or more other such documents, such combination being obvious to a person skilled in the art "&" document member of the same patent family		
Date of the actual completion of the international search 16 October 2008 (16.10.2008)		Date of mailing of the international search report <b>03 NOV 2008</b>
Name and mailing address of the ISA/US Mail Stop PCT, Attn: ISA/US, Commissioner for Patents P.O. Box 1450, Alexandria, Virginia 22313-1450 Facsimile No. 571-273-3201		Authorized officer: Lee W. Young PCT Helpdesk: 571-272-4300 PCT OSP: 571-272-7774