



US0D1050108S

(12) **United States Design Patent**
Wang

(10) **Patent No.:** **US D1,050,108 S**

(45) **Date of Patent:** **** Nov. 5, 2024**

(54) **SMART WATCH**

FOREIGN PATENT DOCUMENTS

(71) Applicant: **Hao Wang**, Shenzhen (CN)

CN 308574286 * 4/2024

(72) Inventor: **Hao Wang**, Shenzhen (CN)

CN 308574296 * 4/2024

CN 308684115 * 9/2024

(**) Term: **15 Years**

OTHER PUBLICATIONS

(21) Appl. No.: **29/950,882**

Mingdalu Men's Military Smart Watch (Answer/Dial Calls), www.walmart.com, Mar. 16, 2022. <https://www.walmart.com/ip/Mingdalu-Men-s-Military-Smart-Watch-Answer-Dial-Calls-2-02-inch-HD-Outdoor-Sports-Durable-Smart-Watch-for-Android-Ios-Black/957862495> (Year: 2022).*

(22) Filed: **Jul. 5, 2024**

(51) **LOC (14) Cl.** **14-02**

(52) **U.S. Cl.**
USPC **D14/344**; D10/70; D24/167

(Continued)

(58) **Field of Classification Search**

USPC D14/138 R, 344; D10/30-32, 38, 70,
D10/128, 132; D11/1, 2, 3, 4, 5, 6;
D24/167

Primary Examiner — Messina L Smith

Assistant Examiner — Kwabena A. Ankobiah

(57)

CLAIM

The ornamental design for a smart watch, as shown and described.

CPC G04G 17/00; G04G 17/08; G04G 17/083;
G04G 17/045; G04G 21/00; G04G 21/02;
G04G 21/025; G04G 21/06; G04G 21/08;
G04G 99/006; G06F 1/163; A44C 5/00;
A44C 5/02; A44C 5/022; A44C 5/025;
A44C 5/0007; A44C 5/0015; A44C
5/0046; A44C 5/0053; A44C 5/2052;
A44C 5/2071; A44C 9/00; A44C 9/0053

DESCRIPTION

See application file for complete search history.

FIG. 1 is a front, top perspective view of a smart watch, showing my new design;
FIG. 2 is a rear, bottom perspective view thereof;
FIG. 3 is a front elevation view thereof;
FIG. 4 is a rear elevation view thereof;
FIG. 5 is a left side elevation view thereof;
FIG. 6 is a right side elevation view thereof;
FIG. 7 is an enlarged top plan view thereof;
FIG. 8 is an enlarged bottom plan view thereof;
FIG. 9 is an enlarged view of detail "9" identified in FIG. 1; and,
FIG. 10 is an enlarged view of detail "10" identified in FIG. 2.

The dashed broken lines in the figures illustrate portions of the smart watch that form no part of the claimed design. The dash dot dash broken lines in FIGS. 1, 2, 9 and 10 depict the bounds of the enlarged views and form no part of the claimed design.

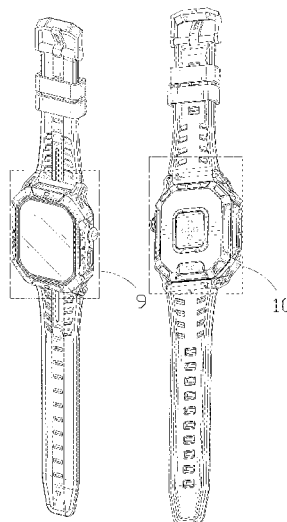
(56) **References Cited**

U.S. PATENT DOCUMENTS

D775,126	S	*	12/2016	Montero Odasso	D10/70
D813,058	S	*	3/2018	Kanikananta	D14/344
D881,185	S	*	4/2020	He	D14/344
D974,185	S	*	1/2023	He	D10/32
D980,209	S	*	3/2023	Wu	D14/344
D981,405	S	*	3/2023	Liu	D14/344
D982,460	S	*	4/2023	Huang	D10/32
D984,443	S	*	4/2023	Wu	D14/344
D991,054	S	*	7/2023	Zhang	D10/32
D992,546	S	*	7/2023	Zhao	D14/344
D1,011,206	S	*	1/2024	Wu	D10/32

(Continued)

1 Claim, 10 Drawing Sheets



(56)

References Cited

U.S. PATENT DOCUMENTS

D1,014,294 S * 2/2024 Wu D10/32
D1,020,741 S * 4/2024 Gu D14/344
D1,025,796 S * 5/2024 Wu D14/344
D1,027,668 S * 5/2024 Lu D14/344

OTHER PUBLICATIONS

Military Smart Watches for Men (Answer/Make Call), 1.96" HD Outdoor Tactical Rugged Smart Watch, Fitness Sports Activity Tracker Watch, [www.amazon.com](https://www.amazon.com/Military-Watches-Tactical-Activity-Compatible/dp/B0CG5ZQN11?th=1), Aug. 21, 2023. <https://www.amazon.com/Military-Watches-Tactical-Activity-Compatible/dp/B0CG5ZQN11?th=1> (Year: 2023).*

Filieku Military Smart Watch Men 1.91"HD Big Screen Rugged Bluetooth Call Outdoor Waterproof Smart Watch Man Tactical Sports Fitness Tracker, [www.amazon.com](https://www.amazon.com/FILIEKEU-Bluetooth-Waterproof-Stainless-Smartwatches/dp/B0CJM6LDSQ?th=1), Sep. 22, 2023. <https://www.amazon.com/FILIEKEU-Bluetooth-Waterproof-Stainless-Smartwatches/dp/B0CJM6LDSQ?th=1> (Year: 2023).*

* cited by examiner

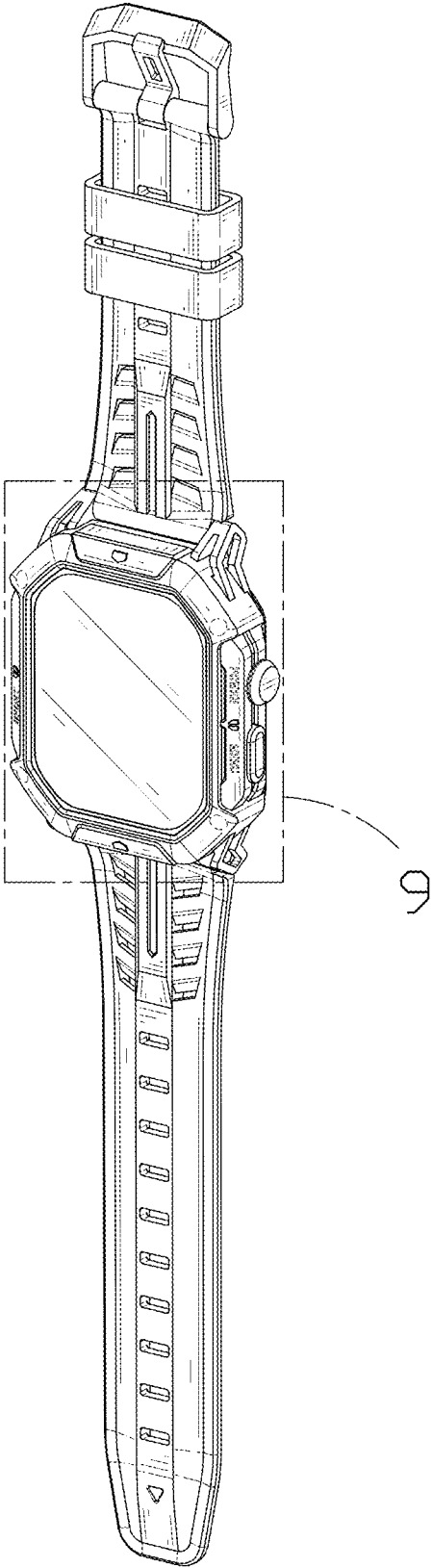


FIG. 1

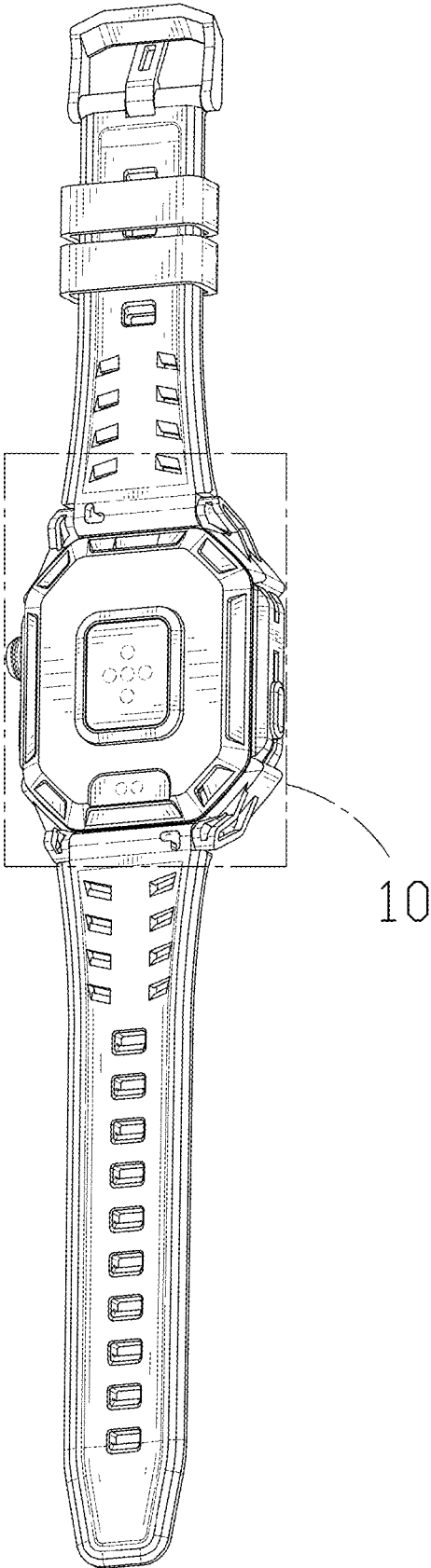


FIG. 2

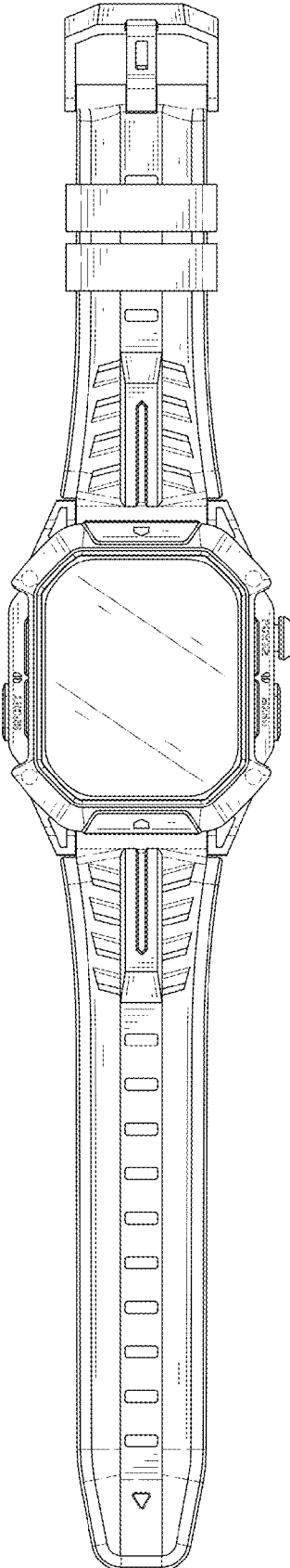


FIG. 3

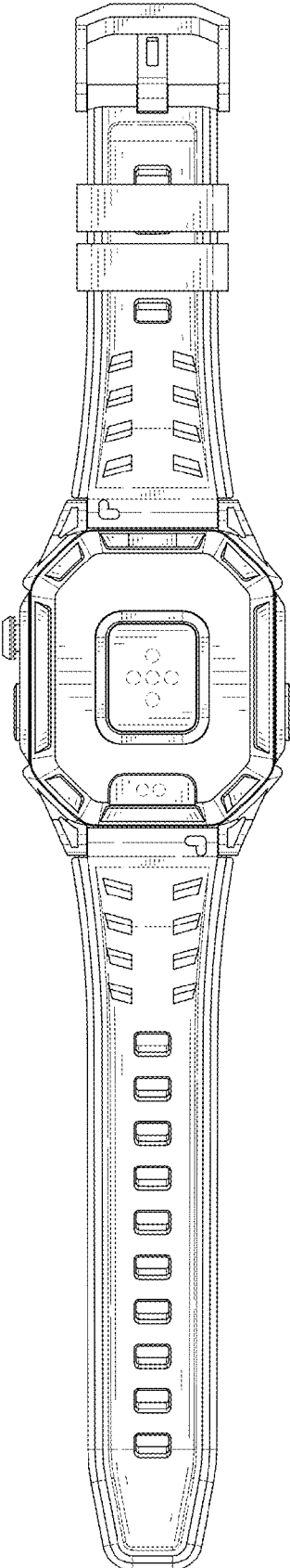


FIG. 4

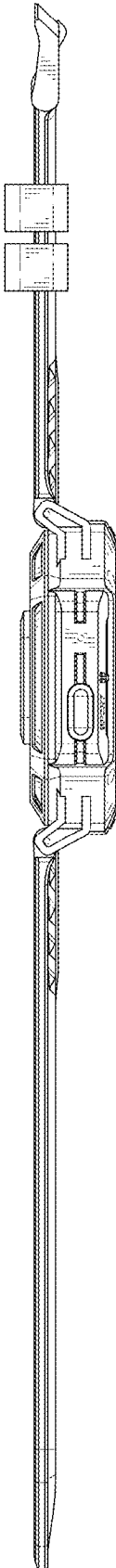


FIG. 5

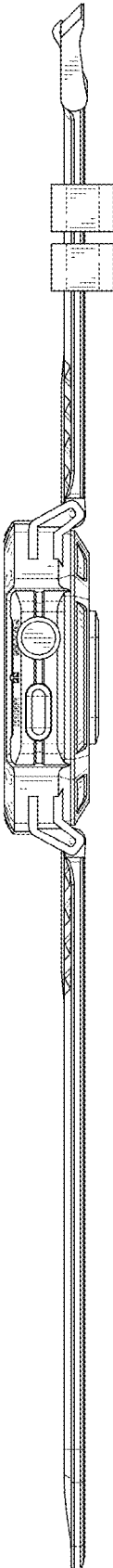


FIG. 6

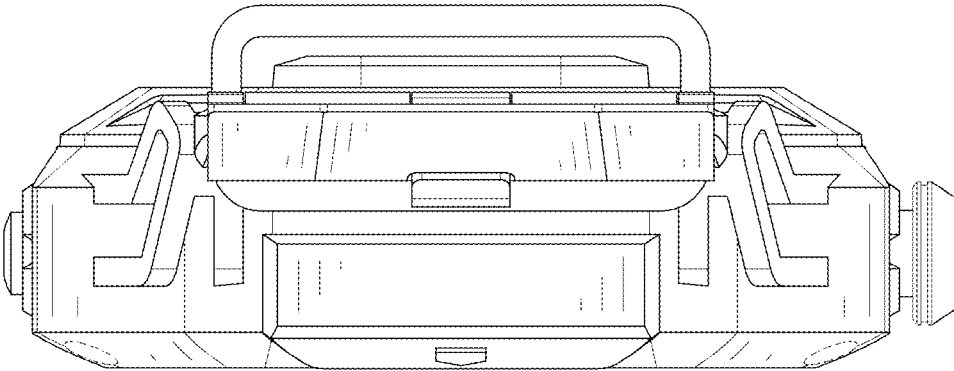


FIG. 7

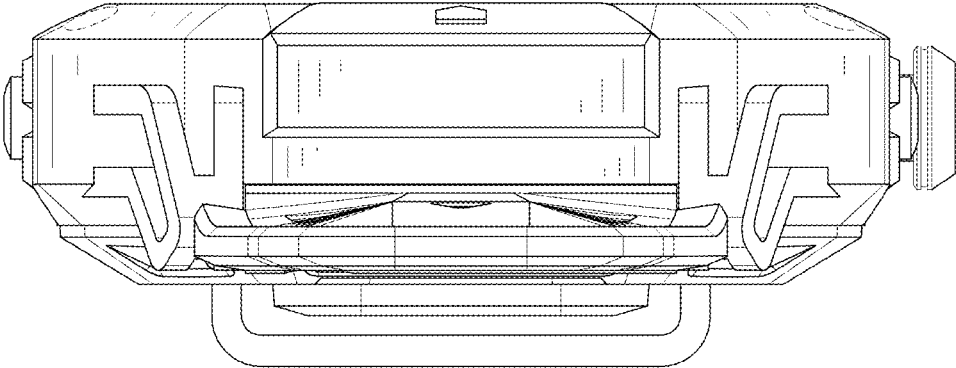


FIG. 8

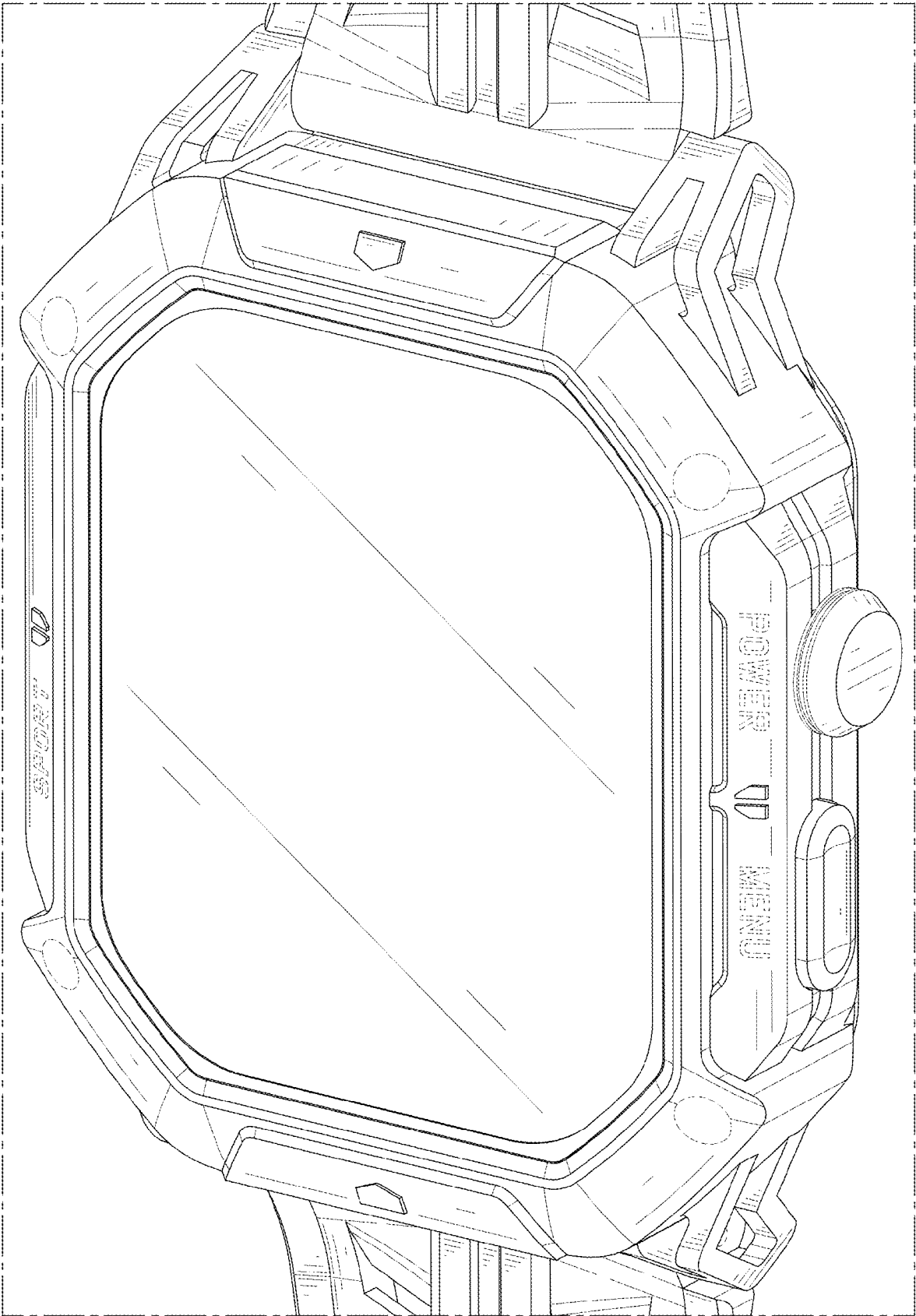


FIG. 9

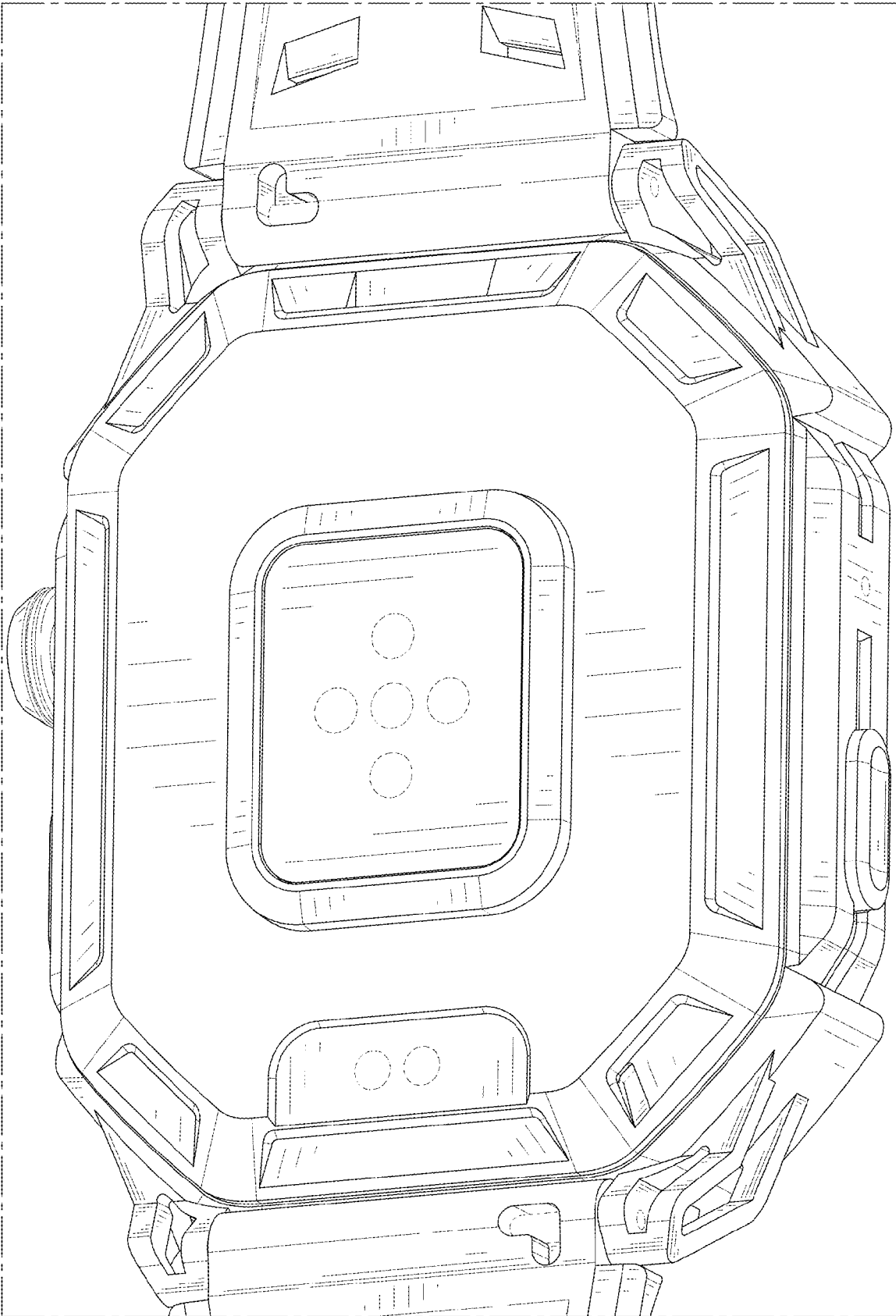


FIG. 10