



US00D846783S

(12) **United States Design Patent**
Eichelberger

(10) **Patent No.:** **US D846,783 S**

(45) **Date of Patent:** **** Apr. 23, 2019**

(54) **LIGHTING DEVICE**

FOREIGN PATENT DOCUMENTS

- (71) Applicant: **Streamlight, Inc.**, Eagleville, PA (US)
- (72) Inventor: **Cleatis Eichelberger**, East Norriton, PA (US)

AU 138873 4/1947
 CA 595051 A 3/1960
 (Continued)

- (73) Assignee: **Streamlight, Inc.**, Eagleville, PA (US)
- (**) Term: **15 Years**

OTHER PUBLICATIONS

Big Larry Power Work Light [online]. [Retrieved on Aug. 22, 2017]
 Retrieved from the internet: <https://www.nebotools.com/product_details.php?id=363&cid=&subid=&subsubcid=>.

(21) Appl. No.: **29/628,935**

(Continued)

(22) Filed: **Dec. 8, 2017**

(51) **LOC (11) Cl.** **26-02**

(52) **U.S. Cl.**
USPC **D26/49**

(58) **Field of Classification Search**
 USPC D26/37-51
 CPC F21L 2003/00; F21L 4/00; F21L 4/005;
 F21L 4/02; F21L 4/025; F21L 4/027;
 F21L 4/04; F21L 4/08; F21L 2005/00;
 F21L 7/00; F21L 11/00; F21L 13/00;
 F21L 13/04; F21L 13/08; F21L 14/02;
 F21L 17/00; F21L 19/00; F21L 25/00

Primary Examiner — Karen E Kearney

Assistant Examiner — Carissa C Fitts

(74) *Attorney, Agent, or Firm* — Design IP

See application file for complete search history.

(57) **CLAIM**

The ornamental design for a lighting device, as shown and described.

(56) **References Cited**

U.S. PATENT DOCUMENTS

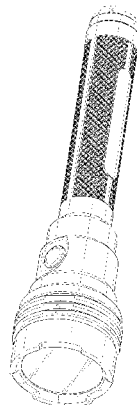
- 1,106,828 A 8/1914 Monaghan
- 1,264,520 A 4/1918 Holmes
- 1,584,539 A 2/1922 Hopkins
- 1,680,169 A 3/1922 Osean
- 1,487,983 A 3/1924 Stiriss
- 1,607,647 A 11/1926 Seikot
- 1,623,807 A 4/1927 Oakley
- 1,810,524 A 6/1931 Lyhne
- 1,917,486 A 7/1933 Beck
- 1,919,024 A 7/1933 Abbotts
- 2,016,819 A 10/1935 Meginniss
- 2,097,222 A 10/1937 Tompkins et al.
- 2,183,861 A 12/1939 Cotter

(Continued)

DESCRIPTION

FIG. 1 is a front perspective view of a lighting device showing my new design;
 FIG. 2 is a front elevation view thereof;
 FIG. 3 is a rear elevation view thereof;
 FIG. 4 is a left side elevation view thereof;
 FIG. 5 is a right side elevation view thereof;
 FIG. 6 is a top plan view thereof; and,
 FIG. 7 is a bottom plan view thereof.
 The dashed-dotted broken line in FIGS. 1-5 and 7 show an unclaimed boundary between claimed and unclaimed subject matter. The dashed broken lines in FIGS. 1, 2, 5, and 7 show unclaimed portions of the lighting device. The oblique line shading in FIGS. 1 and 6 show a translucent or transparent material. The remaining line shading in FIGS. 1-7 show surface contours, not surface ornamentation.

1 Claim, 6 Drawing Sheets



(56)

References Cited

U.S. PATENT DOCUMENTS

2,259,106	A	10/1941	Hager	D381,445	S	7/1997	Linnane
2,339,356	A	1/1944	Sachs	D381,447	S	7/1997	Haberstich et al.
2,490,830	A	11/1945	Norton	5,642,932	A	7/1997	Matthews
2,467,954	A	4/1949	Becker	D382,075	S	8/1997	Swyst
2,564,612	A	8/1951	Schneider	5,154,483	B1	8/1997	Zeller
D166,073	S	3/1952	Dunkelberger	5,369,556	B1	8/1997	Zeller
2,599,295	A	6/1952	Thomas	D383,231	S	9/1997	Kaiser
2,648,762	A	8/1953	Dunkelberger	D384,446	S	9/1997	Kaiser
2,931,005	A	9/1954	Saurwein et al.	D385,637	S	10/1997	Rombough
D185,496	S	6/1959	Hansen	D387,454	S	12/1997	Kaiser
2,945,944	A	7/1960	Gillespie	5,707,137	A	1/1998	Hon
2,966,872	A	1/1961	Schmocker	D390,985	S	2/1998	Shiau
3,041,717	A	7/1962	Brown	5,716,121	A	2/1998	DuBois
3,103,723	A	9/1963	Becker	5,717,276	A	2/1998	Hsu
3,111,277	A	11/1963	Grimsley	D392,758	S	3/1998	Cedarberg
3,293,895	A	12/1966	Kohan	5,722,764	A	3/1998	Jou
3,737,649	A	6/1973	Nelson et al.	D394,721	S	5/1998	Santarsiero
D229,854	S	1/1974	Bajusz	D403,451	S	12/1998	Ting
D231,560	S	4/1974	Keller	D403,453	S	12/1998	Shiau
3,829,676	A	8/1974	Nelson et al.	D404,157	S	1/1999	Carbone
3,835,272	A	9/1974	Wisembaker	D407,508	S	3/1999	Chiu
3,881,468	A	5/1975	Foltz	5,975,712	A	11/1999	Shiao
3,887,803	A	6/1975	Savage	D418,235	S	12/1999	Houplain
3,890,498	A	6/1975	Toth	D418,240	S	12/1999	Sherman
D238,604	S	1/1976	Brindley	6,000,809	A	12/1999	Belo
4,092,580	A	5/1978	Prinsze	6,004,004	A	12/1999	Altman et al.
4,114,187	A	9/1978	Uke	6,007,214	A	12/1999	Shiao
4,171,534	A	10/1979	Strowe	D419,704	S	1/2000	Ting
4,176,263	A	11/1979	Rousseau	D429,534	S	8/2000	Sengsouvanh et al.
4,203,150	A	5/1980	Shamlan	D430,321	S	8/2000	Sharrah
4,228,485	A	10/1980	Hubbard et al.	D435,679	S	12/2000	Naghi et al.
4,286,311	A	8/1981	Maglica	6,280,050	B1	8/2001	Bird et al.
4,290,095	A	9/1981	Schmidt	6,296,371	B1	10/2001	Shiau
4,346,329	A	8/1982	Schmidt	D450,873	S	11/2001	Opolka
4,357,648	A	11/1982	Nelson	D452,024	S	12/2001	Sharrah
4,358,708	A	11/1982	Silva et al.	6,347,878	B1	2/2002	Shiao
D268,442	S	3/1983	Darmon	6,402,340	B1	6/2002	Sharrah et al.
4,388,673	A	6/1983	Maglica	6,471,064	B2	10/2002	Gordon
4,398,238	A	8/1983	Nelson	D465,865	S	11/2002	Hamilton et al.
4,415,954	A	11/1983	Schaefer	6,523,972	B2	2/2003	Sharrah et al.
4,417,299	A	11/1983	Rupp	RE38,014	E	3/2003	Bieberstein
4,472,766	A	9/1984	Hung	D479,888	S	9/2003	Sharrah et al.
4,487,983	A	12/1984	Miller et al.	D481,816	S	11/2003	Sharrah et al.
4,495,550	A	1/1985	Visciano	D485,629	S	1/2004	Chan
4,495,551	A	1/1985	Foltz	6,680,844	B2	1/2004	Kim
4,531,178	A	7/1985	Uke	D486,930	S	2/2004	Stoddard et al.
4,577,263	A	3/1986	Maglica	6,718,136	B2	4/2004	Bird et al.
D283,645	S	4/1986	Tanaka	D489,839	S	5/2004	Opolka
4,656,565	A	4/1987	Maglica	D497,214	S	10/2004	Lo
4,658,336	A	4/1987	Maglica	6,811,280	B1	11/2004	Sharrah et al.
4,841,417	A	6/1989	Maglica et al.	D499,499	S	12/2004	Cetera
D302,325	S	7/1989	Charet et al.	D502,277	S	2/2005	Chen
4,897,769	A	1/1990	Lang	6,857,758	B1	2/2005	Sharrah et al.
D306,492	S	3/1990	Sharrah	6,874,908	B2	4/2005	Sharrah et al.
4,939,628	A	7/1990	Wang	6,886,960	B2	5/2005	Sharrah et al.
5,008,784	A	4/1991	Wang	D507,839	S	7/2005	Man
5,131,775	A	7/1992	Chen	D508,748	S	8/2005	Man
5,197,796	A	3/1993	Moore	D518,212	S	3/2006	Shiu
D341,220	S	11/1993	Eagan	D518,906	S	4/2006	Stoddard et al.
5,303,133	A	4/1994	Wagner	D521,164	S	5/2006	Sharrah
D346,871	S	5/1994	Zeller	D521,170	S	5/2006	Craft et al.
D349,354	S	8/1994	Yau	D521,666	S	5/2006	Chean
D364,935	S	12/1995	deBlois	D521,667	S	5/2006	Chean
5,499,172	A	3/1996	Shiau	D527,476	S	8/2006	Craft
D374,734	S	10/1996	Esposito	7,152,995	B2	12/2006	Chapman
5,571,279	A	11/1996	Chiang	D535,773	S	1/2007	Kessler
D377,989	S	2/1997	Marvin et al.	D536,116	S	1/2007	Sharrah
D378,858	S	4/1997	Kaiser	D544,622	S	6/2007	Cheng
5,615,945	A	4/1997	Tseng	D548,861	S	8/2007	Chapman
D379,540	S	5/1997	Szymanski	D548,863	S	8/2007	Shiu
D379,541	S	5/1997	Kaiser	D549,369	S	8/2007	DeBrunner
D379,542	S	5/1997	Egashira	D553,776	S	10/2007	Liu
D380,061	S	6/1997	Swyst	D557,838	S	12/2007	Shiu
D380,844	S	7/1997	Kaiser	D557,839	S	12/2007	Shiu
D381,101	S	7/1997	Haberstich et al.	D557,840	S	12/2007	Shiu
				D564,116	S	3/2008	Linardos D26/49
				D565,770	S	4/2008	Shiu
				D566,309	S	4/2008	Kornfeld et al.
				D568,515	S	5/2008	Liu

(56)

References Cited

FOREIGN PATENT DOCUMENTS

U.S. PATENT DOCUMENTS

D572,170 S 7/2008 Nielsen
 D572,395 S 7/2008 Guelzow et al.
 D574,982 S 8/2008 Lau
 D578,236 S 10/2008 Dalton
 D586,025 S 2/2009 Bonis
 D586,489 S 2/2009 Shiu
 D590,881 S 4/2009 Slemph
 D603,541 S 11/2009 Shiu
 D603,988 S 11/2009 Sharrah
 D603,989 S 11/2009 Gardner et al.
 D622,428 S 8/2010 Crawford et al.
 D629,542 S 12/2010 Robinson
 D629,544 S 12/2010 Deguglimo et al.
 D641,901 S * 7/2011 Opolka D26/49
 D647,232 S 10/2011 Liu
 D647,654 S 10/2011 Li
 D649,275 S 11/2011 Crawford et al.
 D655,027 S 2/2012 Milz et al.
 D673,710 S 1/2013 Eichelberger
 D688,402 S 8/2013 Roshak et al.
 D698,961 S * 2/2014 Dalton D26/49
 D709,234 S * 7/2014 Inskeep D26/49
 D710,526 S * 8/2014 Lee D26/49
 D716,984 S * 11/2014 Inskeep D26/49
 D745,200 S * 12/2015 Inskeep D26/49
 D745,987 S * 12/2015 Nawaz D22/117
 9,341,325 B2 5/2016 Sharrah et al.
 D774,229 S * 12/2016 Prieto D26/49
 D785,842 S * 5/2017 Huang D26/49
 D786,466 S * 5/2017 Prieto D26/49
 D794,857 S 8/2017 Sharrah et al.
 D803,447 S * 11/2017 Green D26/49
 D809,169 S * 1/2018 Grandadam D26/38
 D810,337 S * 2/2018 Eichelberger D26/49
 D814,088 S * 3/2018 Cao D26/49
 D816,251 S * 4/2018 Johnson D26/49
 D818,622 S * 5/2018 Kunzendorf D26/49
 D828,940 S * 9/2018 Qiu D26/49
 D833,051 S * 11/2018 Qiu D26/49
 2009/0323344 A1 12/2009 Crawford et al.
 2016/0033090 A1 2/2016 Sharrah

DE 839828 C 5/1952
 FR 2372382 A1 11/1976
 GB 411218 A 6/1934
 GB 549104 A 11/1942
 GB 812980 A 5/1959

OTHER PUBLICATIONS

Big Larry Pro Power Work Light [online]. [Retrieved on Aug. 22, 2017] Retrieved from the internet: <https://www.nebotools.com/prod_details.php?id=487&cid=&subid=&subsubcid=>.
 Lil Larry Power Pocket Light [online]. [Retrieved on Aug. 22, 2017] Retrieved from the internet: <https://www.nebotools.com/prod_details.php?id=403&cid=&subid=&subsubcid=>.
 Streamlight Stylus Pen Light [online]. [Retrieved on Aug. 22, 2017] Retrieved from the internet: <<http://www.streamlight.com/products/detail/index/stylus>>.
 Streamlight Stylus Pro 360 Pen Light [online]. [Retrieved on Aug. 22, 2017] Retrieved from the internet: <<http://www.streamlight.com/products/detail/index/stylus-pro-360>>.
 Streamlight Stylus Pro Pen Light [online]. [Retrieved on Aug. 22, 2017] Retrieved from the internet: <<http://www.streamlight.com/products/detail/index/stylus-pro>>.
 Streamlight Stylus Pro Reach Pen Light [online]. [Retrieved on Aug. 22, 2017] Retrieved from the internet: <<http://www.streamlight.com/products/detail/index/stylus-pro-reach>>.
 Streamlight Stylus Pro USB Pen Light [online]. [Retrieved on Aug. 22, 2017] Retrieved from the internet: <<http://www.streamlight.com/products/detail/index/stylus-pro-usb>>.
 Streamlight Stylus Reach Pen Light [online]. [Retrieved on Aug. 22, 2017] Retrieved from the internet: <<http://www.streamlight.com/products/detail/index/stylus-reach>>.
 Streamlight Protac HL-4 Flashlight [online]. [Retrieved on Oct. 18, 2017] Retrieved from the internet: <<http://www.streamlight.com/products/detail/index/protac-hl-4>>.
 Streamlight Protac HL-3 Flashlight [online]. [Retrieved on Oct. 27, 2017] Retrieved from the internet: <<http://www.streamlight.com/en/products/detail/index/protac-hl-3>>.

* cited by examiner

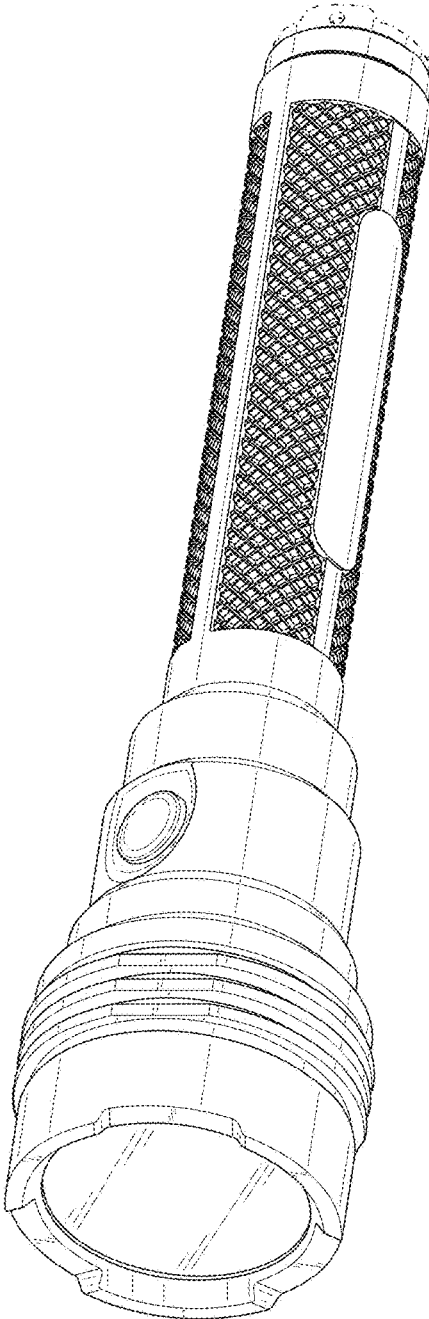


FIG. 1

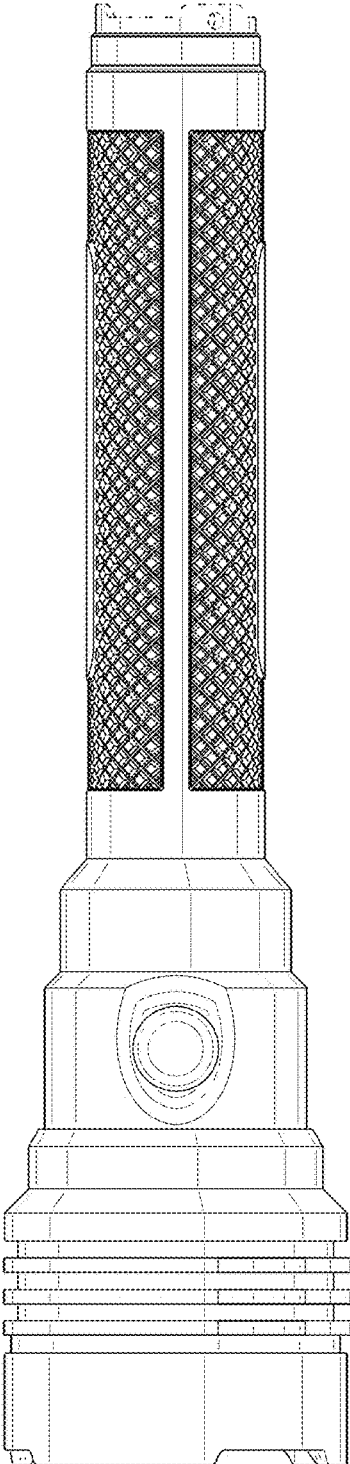


FIG. 2

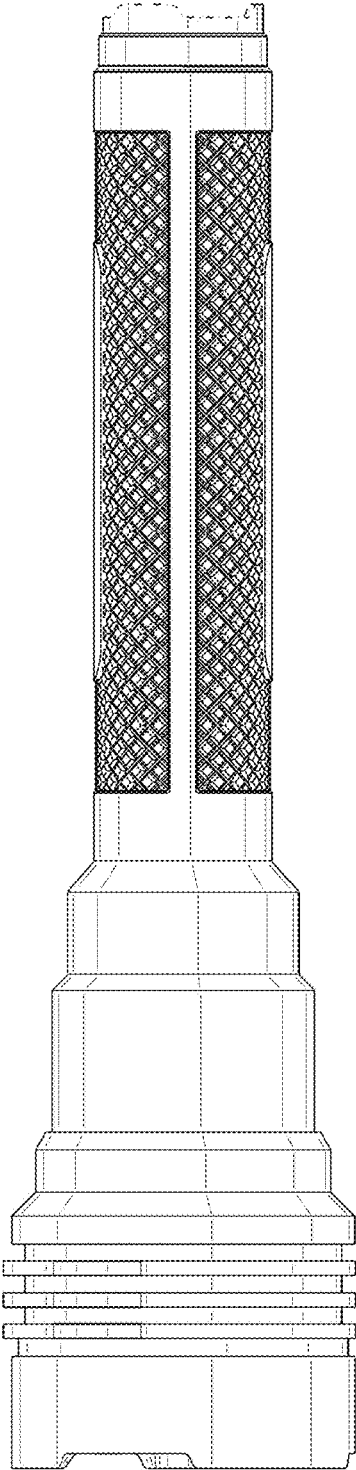


FIG. 3

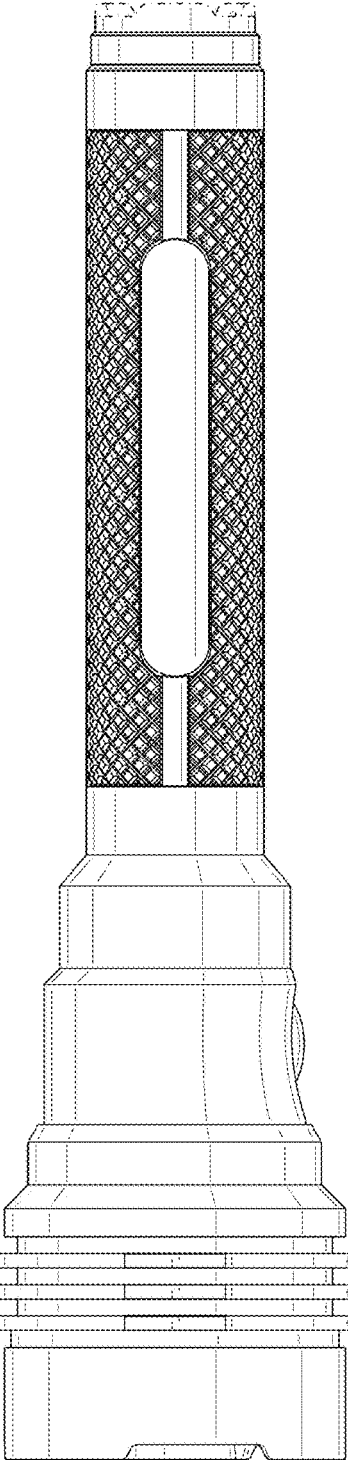


FIG. 4

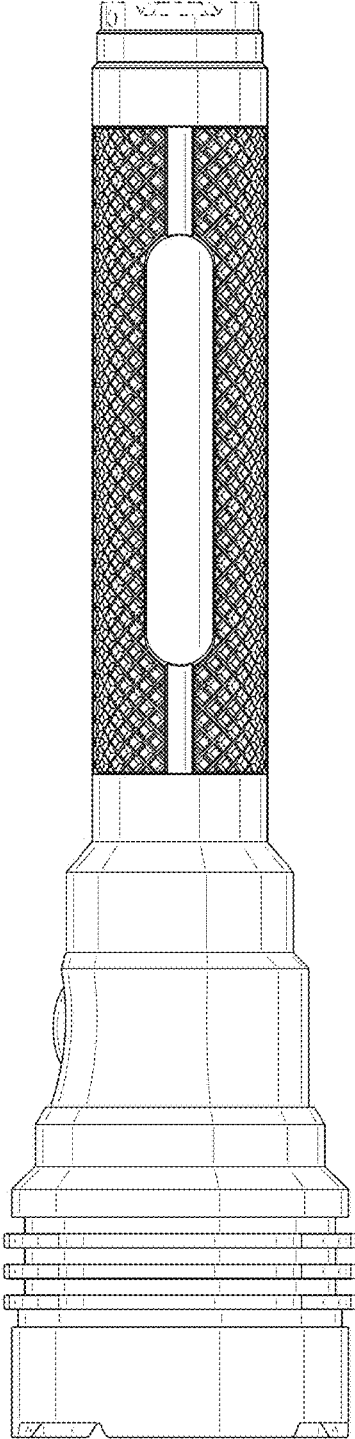


FIG. 5

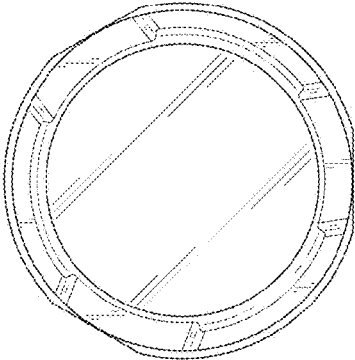


FIG. 6

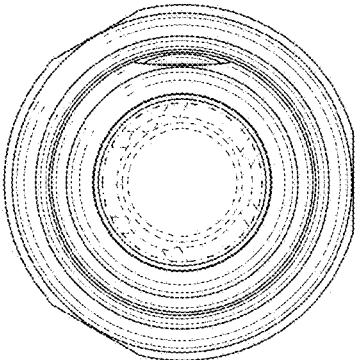


FIG. 7