



US00D378458S

United States Patent [19]

[11] Patent Number: **Des. 378,458**

Pigott et al.

[45] Date of Patent: ****Mar. 11, 1997**

[54] **CONNECTOR FOR A PALLET ASSEMBLY**

[56] **References Cited**

[75] Inventors: **Brandon L. Pigott**, Wilmette; **Schuyler F. Pigott**, Arlington Heights; **Peter S. Pigott**, Wilmette; **Maurice J. Pigott**, Winnetka, all of Ill.

U.S. PATENT DOCUMENTS

D. 354,606 1/1995 Pigott et al. D34/38
D. 360,730 7/1995 Wies D34/38

[73] Assignee: **Nucon Corporation**, Deerfield, Ill.

Primary Examiner—Kay H. Chin
Attorney, Agent, or Firm—Wallenstein & Wagner, Ltd.

[**] Term: **14 Years**

[57] CLAIM

[21] Appl. No.: **33,574**

The ornamental design for a connector for a pallet assembly, as shown and described.

[22] Filed: **Jan. 17, 1995**

DESCRIPTION

Related U.S. Application Data

[63] Continuation-in-part of Ser. No. 351,894, Dec. 8, 1994, which is a continuation-in-part of Ser. No. 15,696, Nov. 24, 1993, Pat. No. Des. 354,606, which is a continuation-in-part of Ser. No. 12,508, Sep. 2, 1993, Pat. No. Des. 347,511, which is a continuation-in-part of Ser. No. 7,302, Apr. 21, 1993, Pat. No. Des. 346,681, which is a continuation-in-part of Ser. No. 961,396, Oct. 15, 1992, Pat. No. 5,343,814, which is a continuation-in-part of Ser. No. 644,928, Jan. 23, 1991, Pat. No. 5,197,395, which is a continuation-in-part of Ser. No. 230,025, Aug. 9, 1988, Pat. No. 4,843,976.

FIG. 1 is a perspective top view of a connector for a pallet assembly showing our new design;

FIG. 2 is a top plan view of the connector;

FIG. 3 is a bottom plan view of the connector;

FIG. 4 is a right elevation view of the connector with the left elevation view being a mirror image thereof; and,

FIG. 5 is a front elevation view of the connector with the rear elevation view being a mirror image thereof.

[52] U.S. Cl. **D34/38**

[58] Field of Search D34/38; 108/53.3,
108/53.5, 51.1, 56.3, 56.1

1 Claim, 2 Drawing Sheets

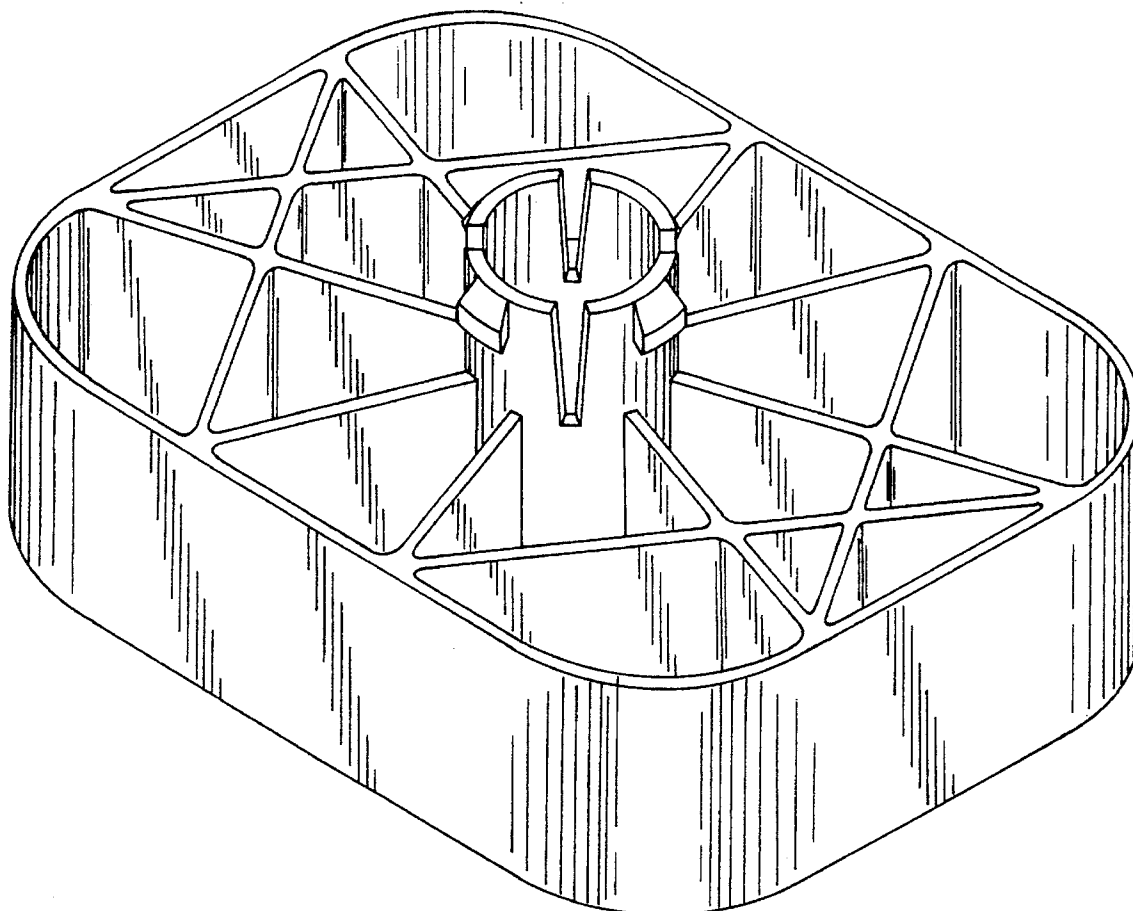


FIG. 1

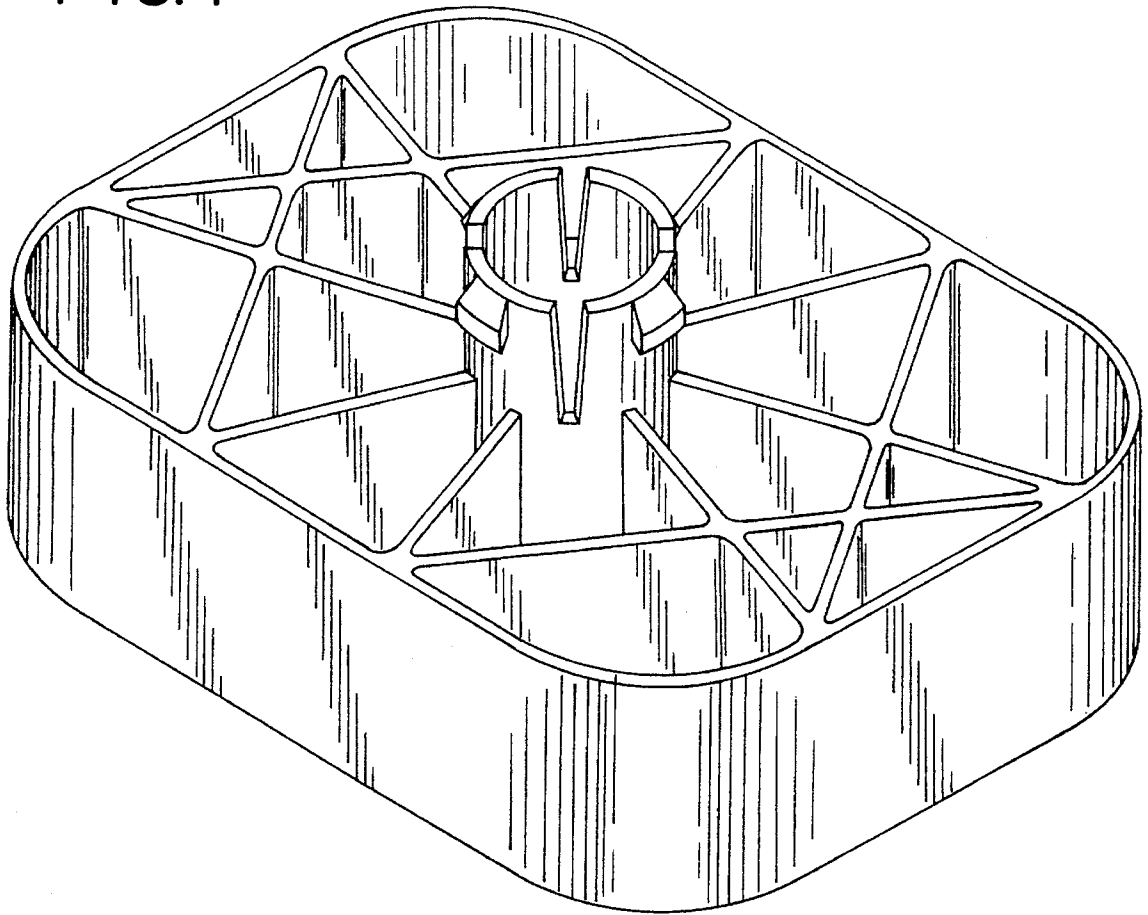


FIG. 2

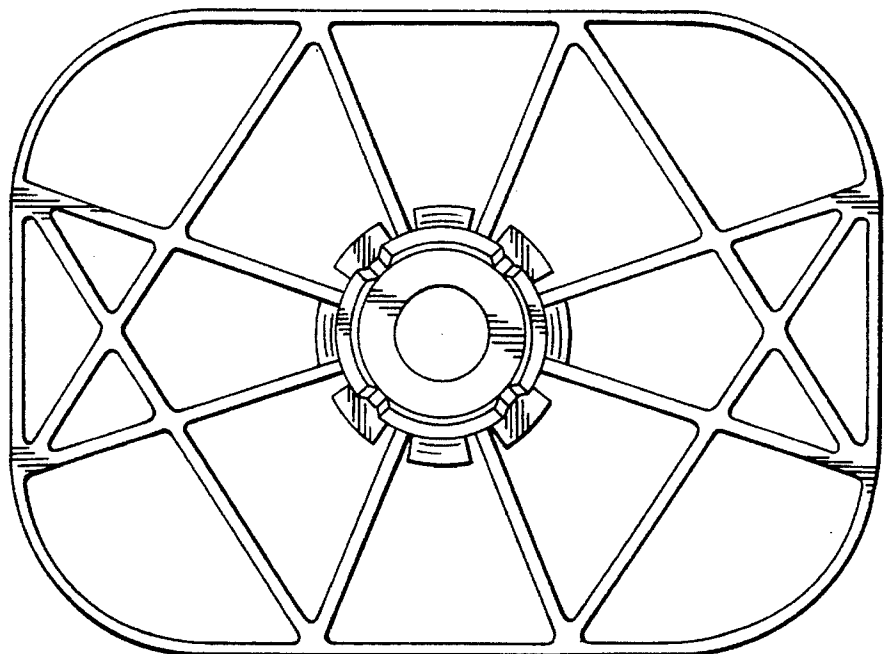


FIG. 3

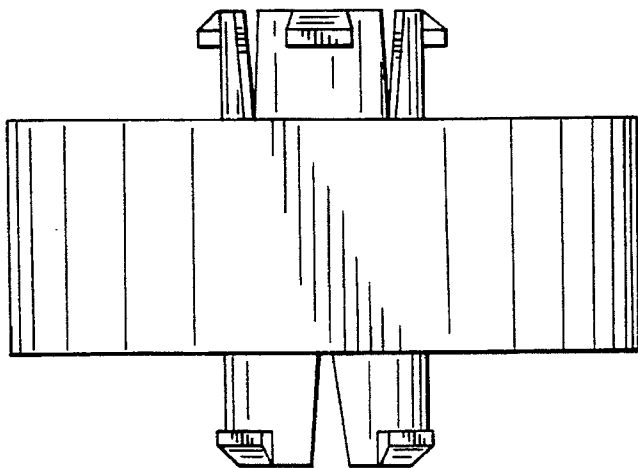
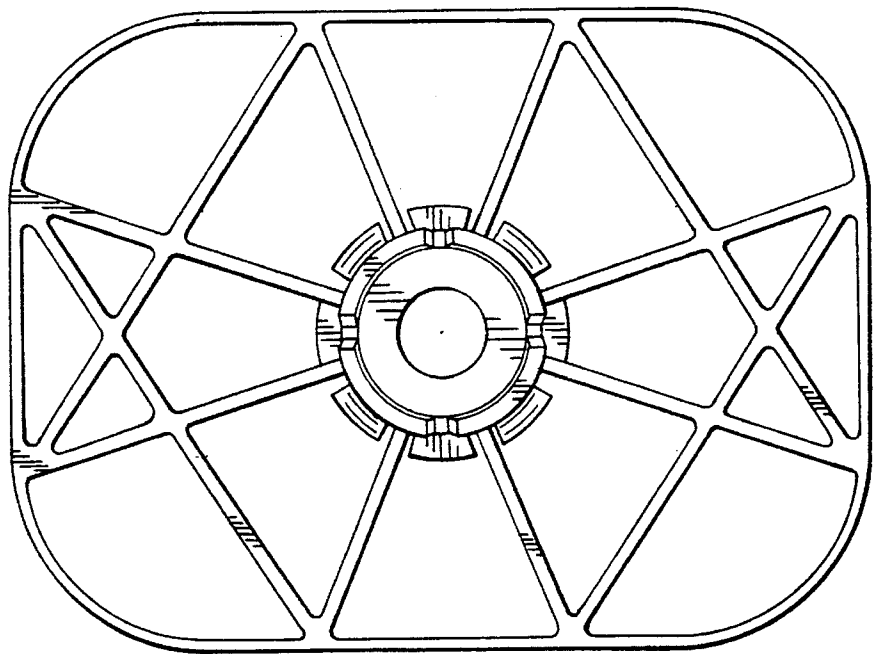


FIG. 4

FIG. 5

