



US00D933020S

(12) **United States Design Patent**
Guthmiller

(10) **Patent No.:** **US D933,020 S**

(45) **Date of Patent:** **** Oct. 12, 2021**

(54) **FLUSH MOUNT ELECTRICAL BOX ASSEMBLY**

(71) Applicant: **Marty Guthmiller**, Cave Creek, AZ (US)

(72) Inventor: **Marty Guthmiller**, Cave Creek, AZ (US)

(**) Term: **15 Years**

(21) Appl. No.: **29/687,665**

(22) Filed: **Apr. 15, 2019**

(51) **LOC (13) Cl.** **13-03**

(52) **U.S. Cl.**
USPC **D13/152**

(58) **Field of Classification Search**
USPC D13/123, 126, 152, 156, 173, 177, 184
CPC H02G 3/08; H02G 3/081; H02G 3/12;
H02G 3/14; H02G 3/123; H02G 3/126
See application file for complete search history.

(56) **References Cited**

U.S. PATENT DOCUMENTS

3,386,071	A	5/1968	Jimmie	
3,580,987	A	5/1971	Priaroggia	
4,890,418	A	1/1990	Sachs	
4,927,039	A *	5/1990	McNab	H02G 3/125 174/57
5,073,681	A *	12/1991	Hubben	H02G 3/14 174/66
D329,422	S *	9/1992	Fujiyoshi	D13/139.1
D343,825	S *	2/1994	Enderby	D13/152
5,363,269	A	11/1994	McDonald	
5,741,158	A *	4/1998	Reed	G02B 6/4466 439/536
5,833,110	A	11/1998	Chandler et al.	
6,106,328	A	8/2000	O'Neal	
6,215,066	B1	4/2001	Kelso et al.	
6,229,087	B1	5/2001	Archer	

6,410,851	B1 *	6/2002	Lamar	H02G 3/10 174/66
D462,664	S *	9/2002	Roesch	D13/152
6,450,232	B1	9/2002	Smythe, Jr.	
D467,229	S *	12/2002	Heggem	D13/152
D478,553	S *	8/2003	Heggem	D13/152
D482,661	S *	11/2003	Shotey	D13/156
6,649,835	B2	11/2003	Gilleran	
6,654,471	B1	11/2003	Varga	
6,674,003	B1	1/2004	Torres	
6,695,181	B1	2/2004	Kreitzer et al.	
6,909,050	B1	6/2005	Bradford	
6,914,187	B2 *	7/2005	Hull	H02G 3/125 174/135

(Continued)

OTHER PUBLICATIONS

"Zip Box Blue Switch and Outlet Boxes," Catalog, Carlon, Jun. 2006, Last Accessed Mar. 5, 2019, Available at http://www.carlonsales.com/techinfo/brochures/electrical/Zip%20Boxes_2B1.pdf.

(Continued)

Primary Examiner — Selina Sikder
(74) *Attorney, Agent, or Firm* — Law Offices of Lisa & Lesko LLC; Justin Lesko, Esq.

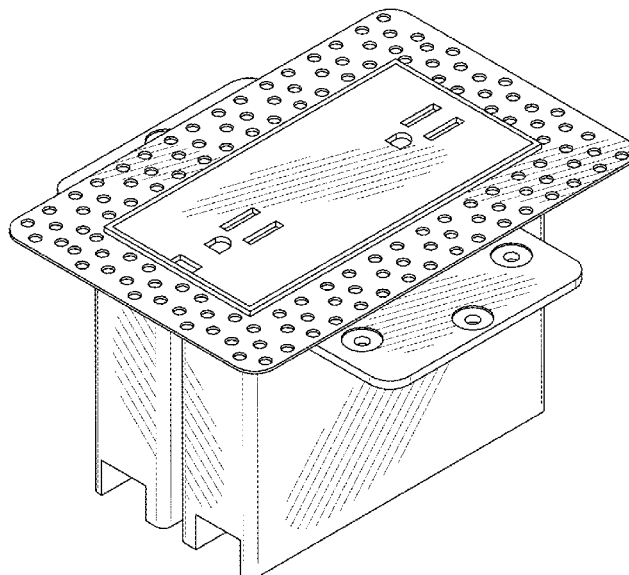
(57) **CLAIM**

I claim the ornamental design for a flush mount electrical box assembly, substantially as shown and described.

DESCRIPTION

FIG. 1 is a front perspective view of the flush mount electrical box assembly.
FIG. 2 is top view of FIG. 1.
FIG. 3 is a bottom view of FIG. 1.
FIG. 4 is a left side view of FIG. 1.
FIG. 5 is a right side view of FIG. 1.
FIG. 6 is a front view of FIG. 1; and,
FIG. 7 is a back view of FIG. 1.

1 Claim, 3 Drawing Sheets



(56)

References Cited

U.S. PATENT DOCUMENTS

D513,495	S *	1/2006	Hull	D13/152
D519,930	S *	5/2006	Hull	D13/152
7,087,837	B1	8/2006	Gretz		
7,098,399	B1	8/2006	Gretz et al.		
7,109,419	B1 *	9/2006	Gretz	H02G 3/12 174/66
7,119,278	B1 *	10/2006	Shotey	H02G 3/14 174/66
7,166,801	B1	1/2007	Gretz		
D539,751	S *	4/2007	Kiely	D13/152
7,319,192	B1 *	1/2008	Gretz	H02G 3/123 174/50
7,353,961	B2 *	4/2008	Hull	H02G 3/085 174/666
7,468,487	B1 *	12/2008	Murphy	H02G 3/123 174/53
7,579,549	B2 *	8/2009	Jolly	H02G 3/12 174/50
7,595,446	B2 *	9/2009	Turcovsky	H02G 3/123 174/50
7,622,675	B2	11/2009	Sutter		
7,674,974	B1	3/2010	Shotey et al.		
7,718,893	B2 *	5/2010	Purves	H02G 3/083 174/53
7,732,715	B2 *	6/2010	Paolucci	H01R 24/76 174/481
7,789,257	B2	9/2010	Davis		
7,956,295	B2	6/2011	Arbel		
7,989,699	B1 *	8/2011	Shotey	H02G 3/14 174/53
8,013,243	B2	9/2011	Korcz et al.		
8,076,577	B2	12/2011	Mango, Jr. et al.		
8,124,872	B2	2/2012	Vigorito et al.		
8,196,364	B2	6/2012	Moscovitch		
8,242,364	B1 *	8/2012	Shotey	H02G 3/14 174/66
D679,256	S *	4/2013	Ericksen	D13/156
8,633,384	B1 *	1/2014	Shotey	H02G 3/126 174/53
8,723,037	B1	5/2014	Matsumoto		
8,789,256	B2 *	7/2014	Temblador	B21D 51/52 29/505
8,835,763	B1	9/2014	Hammond		
8,893,910	B2 *	11/2014	Batchelor	H02G 3/088 220/242
8,933,331	B1	1/2015	Gretz		
9,024,186	B1 *	5/2015	Gonzalez	H02G 3/14 174/66
9,039,831	B2	5/2015	Trudeau		
9,069,028	B2	6/2015	Ebner et al.		
9,101,051	B1	8/2015	Ferrara et al.		
9,148,004	B1 *	9/2015	Solomon	H02G 3/12
D774,467	S *	12/2016	Maccarone	D13/152
9,526,154	B2	12/2016	Thompson		
9,608,420	B1	3/2017	Ferrara		
9,777,478	B1	10/2017	Hulka et al.		
9,819,167	B2 *	11/2017	Kummer	H02G 3/086
D811,348	S *	2/2018	Cueller	D13/152
10,855,066	B2 *	12/2020	Elliott	H02G 3/123
2009/0249705	A1	10/2009	Struthers et al.		
2010/0186986	A1 *	7/2010	Kimbrell	H02G 3/14 174/66
2011/0314759	A1	12/2011	McCullough		
2014/0224792	A1 *	8/2014	Beneke	H02G 3/123 220/3.3
2015/0091553	A1	4/2015	Wong		
2016/0099530	A1	4/2016	Valenti et al.		
2017/0110862	A1	4/2017	Kirkland		
2017/0331265	A1	11/2017	Evilziser		
2018/0076616	A1	3/2018	Thrush et al.		
2020/0220341	A1 *	7/2020	Hughey	H02G 3/12
2020/0328583	A1 *	10/2020	Guthmiller	H02G 3/123

OTHER PUBLICATIONS

“Raco Steel Boxes, Covers and Accessories,” Catalog, Hubbell, 2014, [A6], [A53-A54], Last Accessed Mar. 5, 2019, Available at <https://hubbellcdn.com/ohwassetes/HCI/RACO/Catalog/steelboxescoversaccessories.pdf>.

“Switch & Outlet Boxes—Technical Data,” Catalog, Cooper Industries (EATON), 2015. Last Accessed Mar. 5, 2019, Available at <http://www.cooperindustries.com/content/dam/public/crousehinds/commercial-products/catalog-pdfs/cp-catalog-outlet-box-section.pdf>.

“Steel City Metallic Boxes and Covers,” Catalog, Thomas & Betts, 2013, Last Accessed Mar. 5, 2019, Available at http://www.lawoolley.com/pdf/steel_city_boxes.pdf.

“Catalogue, Section B—Decora Devices,” Catalog, Leviton, Date Unknown, [12-19], Last Accessed Mar. 9, 2019, Available at https://stevenengineering.com/tech_support/PDFs/74L101B.pdf.

“Industrial Specification Grade 15 Amp and 20 Amp Duplex Receptacles,” Catalog, Leviton, 1995, Last Accessed Mar. 5, 2019, Available at http://stevenengineering.com/Tech_Support/PDFs/74INDREC.pdf.

“Commercial grade straight blade duplex receptacles,” Catalog, Cooper Industries, Feb. 2018, Last Accessed Mar. 6, 2019, Available at http://www.cooperindustries.com/content/dam/public/wiringdevices/products/documents/spec_sheets2/commerical_grade_receptacles_spec_sheet.pdf.

“Arrow Hart hospital grade self-test GFCI receptacles,” Catalog, Cooper Industries, Apr. 2018 Last Accessed Mar. 6, 2019, Available at http://www.cooperindustries.com/content/dam/public/wiringdevices/products/documents/spec_sheets2/hospital_grade_gfci_specsheet.pdf.

“Section X,” Catalog, Hubbell, Date Unknown, Last Accessed Mar. 6, 2019, Available at <http://ecatalog.hubbell-wiring.com/press/catalog/x.pdf>.

“Datacom Accessories Catalog,” Catalog, Structured Cable Products, Date Unknown, Last Accessed Mar. 9, 2019, Available at <https://www.scpca5e.com/catalog/scp-datacom-accessories.pdf>.

“RJ45 Connectors,” Catalog, Polamco, 2010, Last Accessed Mar. 6, 2019, Available at <http://www.farnell.com/datasheets/1581551.pdf>.

“EZ-RJ45 Connector,” Catalog, Leviton, 2003, Last Accessed Mar. 6, 2019, Available at <https://www.accu-tech.com/hs-fs/hub/54495/file-17725291-pdf/docs/specs/47613-ezc.pdf>.

“High Voltage Wire and Cable General Specifications,” Data Sheet, RI, Date Unknown, Last Accessed Mar. 6, 2019, Available at <http://www.comcraft.co.jp/products/teledynereynolds/data/multicables.pdf>.

“Building Wire,” Catalog, General Cable, Oct. 2012, Last Accessed Mar. 6, 2019, Available at http://www.aainy.com/pdf/building_wire.pdf.

“USG Sheetrock Brand Gypsum Panels,” Submittal Sheet, USG, Jun. 2017, Last Accessed Mar. 5, 2019, Available at https://www.usg.com/content/dam/USG_Marketing_Communications/united_states/product_promotional_material/finished_assets/sheetrock-gypsum-panels-regular-firecode-cores-submittal-WB1473.pdf.

“Durasan Prefinished Gypsum Board,” Catalog, Gold Bond, Jul. 2018, Last Accessed Mar. 5, 2019, Available at <https://nationalgypsum.com/File/09%2072%2000-34.pdf>.

“USG Sheetrock Brand Installation and Finishing Guide,” Manual, USG, Sep. 2015, Last Accessed Mar. 5, 2019, Available at https://www.usg.com/content/dam/USG_Marketing_Communications/united_states/product_promotional_materials/finished_assets/sheetrock-gypsum-panels-installation-guide-en-J371.pdf.

“DensShield Tile Backer Technical Guide,” Manual, Georgia-Pacific, Feb. 2018, Last Accessed Mar. 5, 2019, Available at <https://cache5.buildgp.com/wp-content/uploads/2018/11/DensShield-Tile-Backer-Technical-Guide.pdf>.

“Dricore Smartwall Detailed Installation,” Manual, Dricore, Date Unknown, Last Accessed Mar. 5, 2019, Available at http://www.dricore.com/nw/PDF/Detailed_Installation_Guide_web-2.pdf?_ga=2.2754935.698343861.1551842844-1360570901.1551842844.

(56)

References Cited

OTHER PUBLICATIONS

Taylor, Glenda, "How to: Mud Drywall," Article, BobVila, Date Unknown, Last accessed Mar. 8, 2019, Available at <https://www.bobvila.com/articles/how-to-mud-drywall/>.

"Hot to Hand Drywall and Mud" Article, diy Network, Date Unknown, Last Accessed Mar. 8, 2019, Available at <https://www.diynetwork.com/how-to/rooms-and-spaces/walls-and-ceilings/how-to-hang-drywall-and-mud>.

"How to Hang Drywall" Article, Lowe's, Date Unknown, Last accessed Mar. 8, 2019, Available at <https://www.lowes.com/projects/build-and-remodel/how-to-hang-drywall/project>.

"Proform Brand All Purpose Joint Compound," Catalog, National Gypsum, Feb. 2019, Last Accessed Mar. 5, 2019, Available at <https://www.nationalgypsum.com/File/09%2029%2000-43.pdf>.

"USG Sheetrock Brand All Purpose Joint Compound," Submittal Sheet, USG, Oct. 2016, Last Accessed Mar. 5, 2019, Available at http://pdf.lowes.com/operatingguides/081099203602_oper.pdf.

"DAP Phenopatch Premium Lightweight Joint Compound with Drydex Dry Time Indicator Technology," Bulletin, Phenopatch, Nov. 2013, Last Accessed Mar. 5, 2019, Available at <http://www.phenopatch.com/docs/tdb/9.pdf>.

"Drywall Screw, Bugle Head, Cross Recessed Drive, Pierce Point, Coarse Thread, Yellow Zinc," Catalog, Fastenal, Oct. 2018, Last Accessed Mar. 6, 2019, Available at https://www.fastenal.com/contest/product_specifications/DRWL.BHPH.PP.COR.YZ.pdf.

"Wallplate Buying Guide," Catalog, Leviton, 2015, Last Accessed Mar. 8, 2019, Available at <https://images.homedepot-static.com/catalog/pdfImages/56/566b87e5-ea5a-4976-a9d2-9fb99b7d8680.pdf>.

"2016 Arrow Hart Buyers Guide, Section K," Catalog, Eaton, 2016, Last Accessed Mar. 8, 2019, Available at <http://www.cooperindustries.com/content/dam/public/wiringdevices/BuyersGuides/AHBG/K/AHBG-K-Sec.pdf>.

"Installation Guide," Manual, TRUFIG, Dec. 2016, [5-7], Last Accessed Mar. 8, 2019, Available at https://static1.squarespace.com/static/56746411c647ad126efd0b08/t/5781f4d09f7456bcf344653b/1480717524900/TRUFIG+Install+Guide_12-02-16.pdf.

TRUFIG Sales Brochure, TRUFIG, 2013, Last Accessed Mar. 8, 2019, Available at https://static1.squarespace.com/static/56746411c647ad126efd0b08/t/57b1fdd9f5e231d16e9f2a4f/1471282658946/Trufig_Brochure.pdf.

"Retail Price List," Catalog, TRUFIG, Oct. 2016, Last Accessed Mar. 8, 2019, Available at https://static1.squarespace.com/static/56746411c647ad126efd0b08/t/57f5357b2e69cfcc6c9816b3/1475687807191/TRUFIG+Retail+Price+List_10_4_16.pdf.

Non-Final Office Action in U.S. Appl. No. 16/848,408, (dated May 11, 2021).

Response to Non-Final Office Action in U.S. Appl. No. 16/848,408 (dated Mar. 10, 2021).

Notice of Allowance in U.S. Appl. No. 16/848,408, (dated Jun. 24, 2021).

* cited by examiner

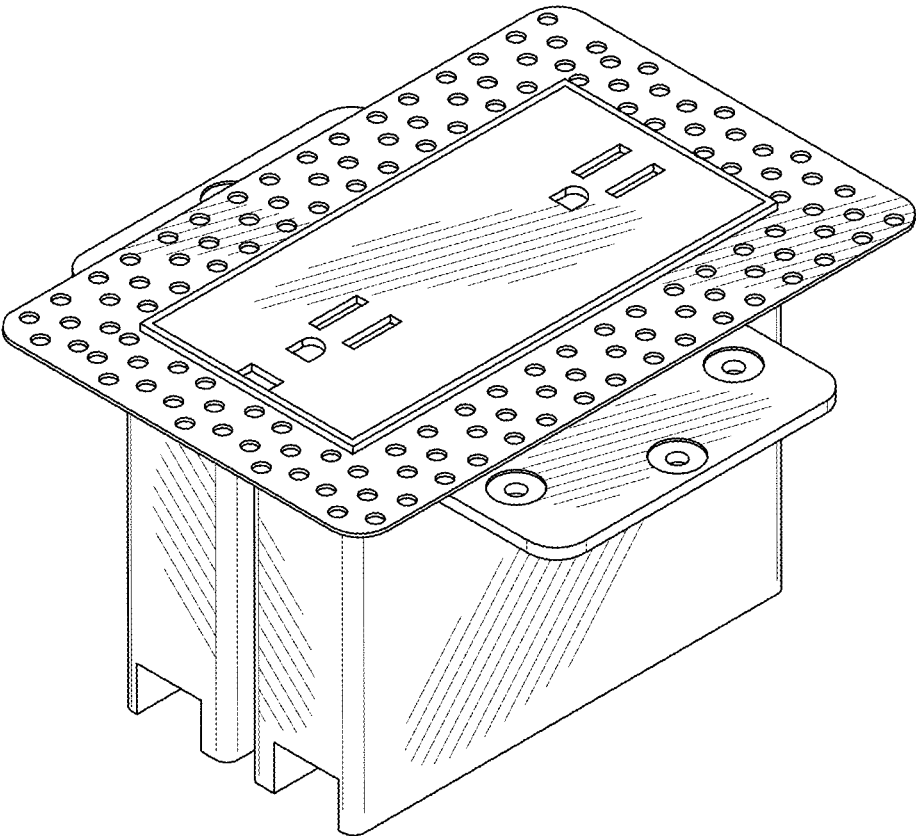


FIG .1

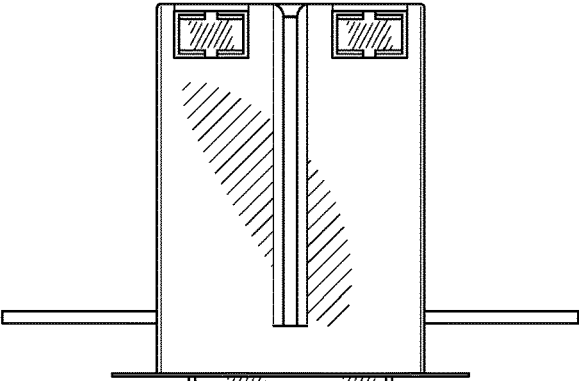


FIG .2

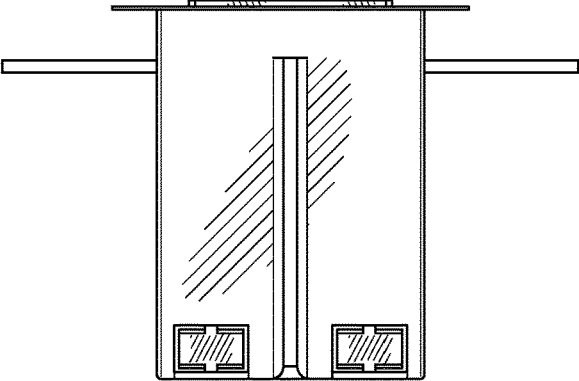


FIG .3

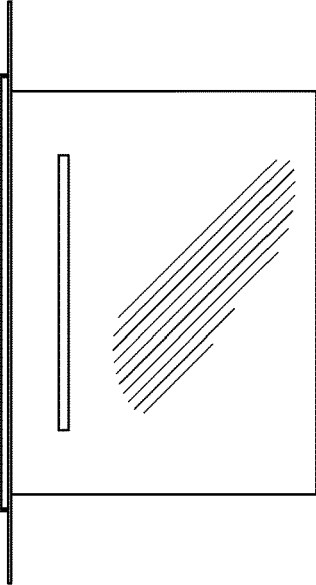


FIG .4

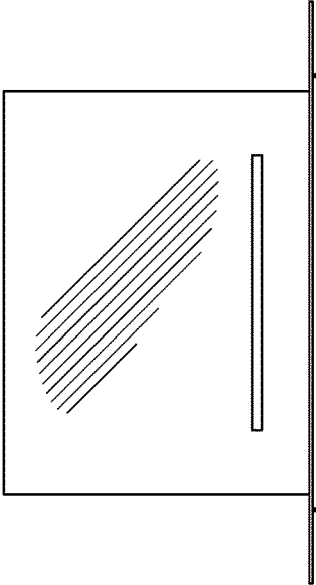


FIG .5

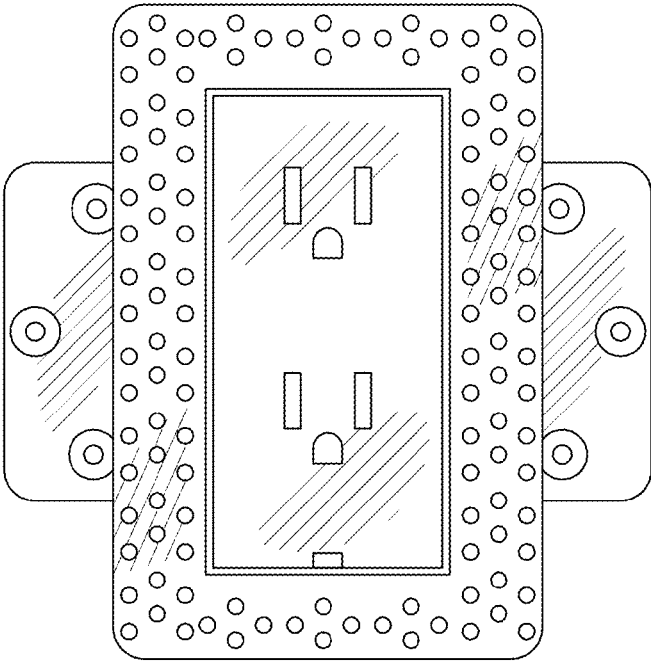


FIG .6

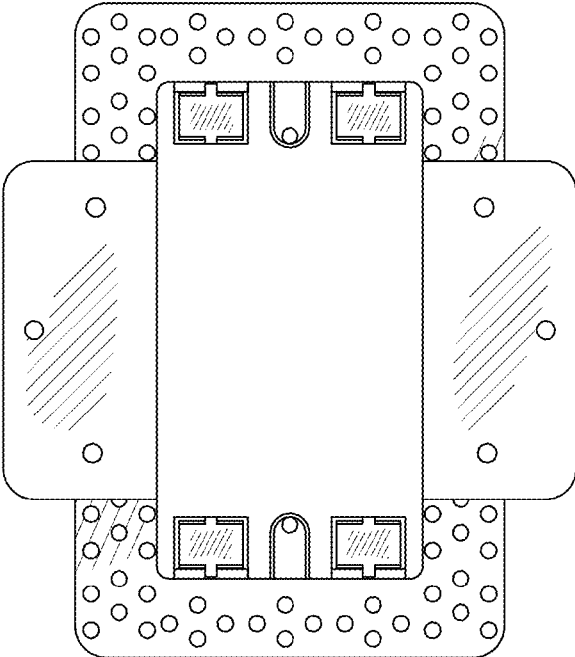


FIG .7