



US00D633649S

(12) **United States Design Patent**
Tickner et al.

(10) **Patent No.:** **US D633,649 S**
(45) **Date of Patent:** **** Mar. 1, 2011**

(54) **LED LIGHT FIXTURE**

(57) **CLAIM**

(75) Inventors: **Jerold Tickner**, Newman, GA (US);
Evans Edward Thompson, III,
Fairburn, GA (US); **Scott David**
Wegner, Peachtree City, GA (US)

The ornamental design for an LED light fixture, as shown and described.

(73) Assignee: **Cooper Technologies Company**,
Houston, TX (US)

DESCRIPTION

(**) Term: **14 Years**

FIG. 1 is a front perspective view of a first embodiment of an LED light fixture showing our new design;

(21) Appl. No.: **29/305,946**

FIG. 2 is a bottom view thereof;

(22) Filed: **Mar. 31, 2008**

FIG. 3 is a front perspective view of a reflector used in the first embodiment, shown separate for completeness of illustration;

(51) **LOC (9) Cl.** **26-99**

(52) **U.S. Cl.** **D26/123**

(58) **Field of Classification Search** D26/124,
D26/123, 129, 130, 131, 120, 113, 152, 138,
D26/72, 77, 81, 83, 139, 85, 71, 87, 26, 118,
D26/125, 73, 9, 134, 84, 127, 63, 50, 119,
D26/60, 67, 128, 88, 86, 141, 142, 145, 153,
D26/154, 155, 76, 78, 122; 428/26; 362/147,
362/351, 365, 350, 348, 335, 364, 235, 249.02,
362/294, 345, 366, 249.1, 25, 240, 376, 221,
362/223, 325, 342; D12/163, 193; D11/125,
D11/121, 49, 117, 184; D1/106, 107; D23/366;
D6/332

FIG. 4 is a front perspective view of a heat sink module and an LED module used in the first embodiment, shown separate for completeness of illustration;

FIG. 5 is an enlarged bottom view of the LED module of the first embodiment, shown separate for completeness of illustration;

FIG. 6 is a side view thereof, the opposite side being identical;

FIG. 7 is a bottom view of a second embodiment of an LED light fixture;

FIG. 8 is a front perspective view of a reflector used in the second embodiment, shown separate for completeness of illustration;

FIG. 9 is a front perspective view of a heat sink module and an LED module used in the second embodiment, shown separate for completeness of illustration;

FIG. 10 is an enlarged bottom view of the LED module of the second embodiment, shown separate for completeness of illustration; and,

FIG. 11 is a side view thereof, the opposite side being identical.

The broken lines are environmental only and form no part of the claimed design.

See application file for complete search history.

(56) **References Cited**

U.S. PATENT DOCUMENTS

1,821,733 A 9/1931 Thibodeau

(Continued)

OTHER PUBLICATIONS

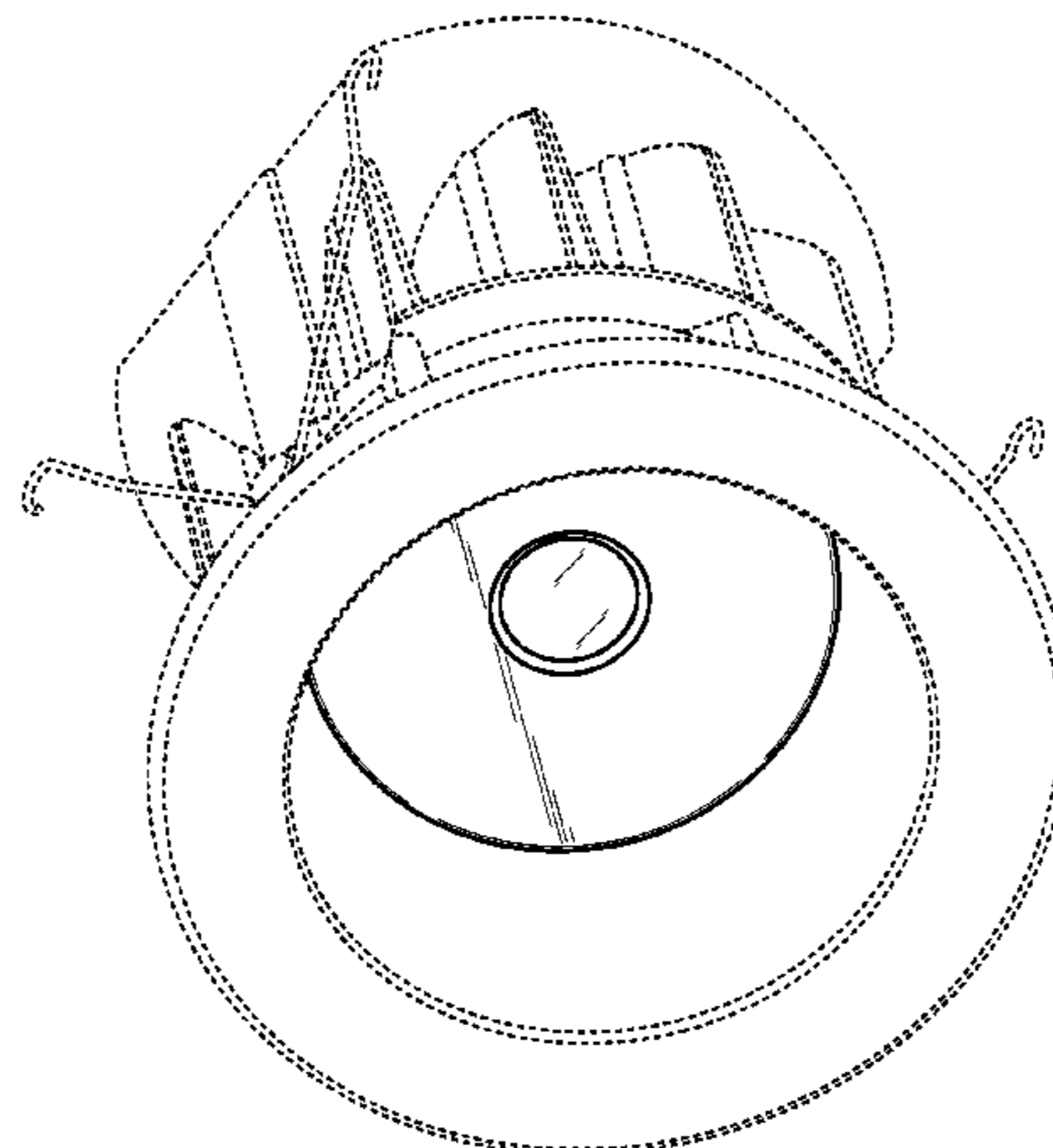
PCT Search Report for PCT/US2008/077212, mailed Nov. 24, 2008.

Primary Examiner—Cathron C Brooks

Assistant Examiner—Kevin K Rudzinski

(74) *Attorney, Agent, or Firm*—SAIDMAN DesignLaw Group

1 Claim, 6 Drawing Sheets



US D633,649 S

Page 2

U.S. PATENT DOCUMENTS

4,321,659	A *	3/1982	Wheeler	362/293	7,144,135	B2	12/2006	Martin et al.	
4,630,182	A *	12/1986	Moroi et al.	362/294	D546,762	S *	7/2007	Kovacs et al. D13/134
4,644,450	A *	2/1987	Caplin et al.	362/147	7,303,301	B2 *	12/2007	Koren et al. 362/101
5,222,800	A	6/1993	Chan et al.			7,350,942	B2 *	4/2008	Chen et al. 362/347
5,374,812	A	12/1994	Chan et al.			7,470,921	B2 *	12/2008	Custer 250/504 R
5,452,816	A	9/1995	Chan et al.			2004/0190305	A1 *	9/2004	Arik et al. 362/555
5,738,436	A *	4/1998	Cummings et al.	362/294	2004/0257818	A1 *	12/2004	Benghozi 362/365
5,746,507	A	5/1998	Lee			2005/0154075	A1 *	7/2005	Siegel 522/8
5,758,959	A	6/1998	Sieczkowski			2005/0231983	A1 *	10/2005	Dahm 362/800
D397,472	S *	8/1998	Lecluze	D26/118	2005/0237746	A1 *	10/2005	Yiu 362/294
5,826,970	A *	10/1998	Keller et al.	362/147	2006/0268548	A1 *	11/2006	Chang 362/245
5,857,766	A	1/1999	Sieczkowski			2007/0132092	A1 *	6/2007	Hu et al. 257/712
5,957,573	A	9/1999	Wedekind et al.			2007/0279900	A1 *	12/2007	Bauer et al. 362/158
6,082,878	A	7/2000	Doubek et al.			2009/0073688	A1	3/2009	Patrick	
6,461,016	B1	10/2002	Jamison et al.			2009/0073689	A1	3/2009	Patrick	
D476,108	S *	6/2003	Lecluze	D26/74	2009/0080189	A1	3/2009	Wegner	
6,822,269	B2 *	11/2004	Horiuchi et al.	257/99	2009/0086476	A1	4/2009	Tickner et al.	
7,025,477	B2 *	4/2006	Blessing et al.	362/364	2009/0086481	A1	4/2009	Wegner	
7,030,423	B2 *	4/2006	Chang et al.	257/98	2009/0129086	A1	5/2009	Thompson, III	
7,083,305	B2 *	8/2006	Galli	362/294	2009/0262530	A1	10/2009	Tickner et al.	

* cited by examiner

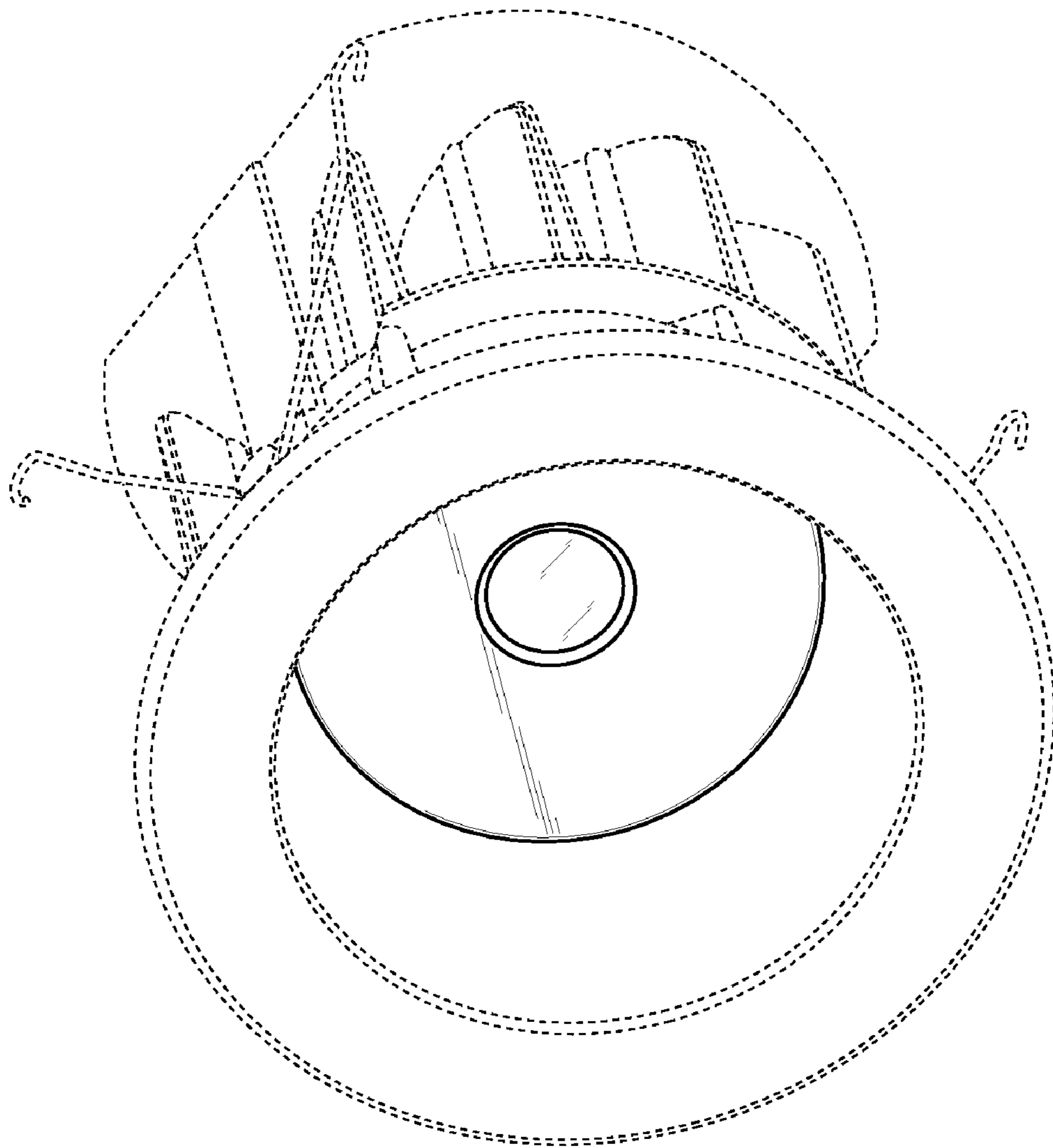


Fig. 1

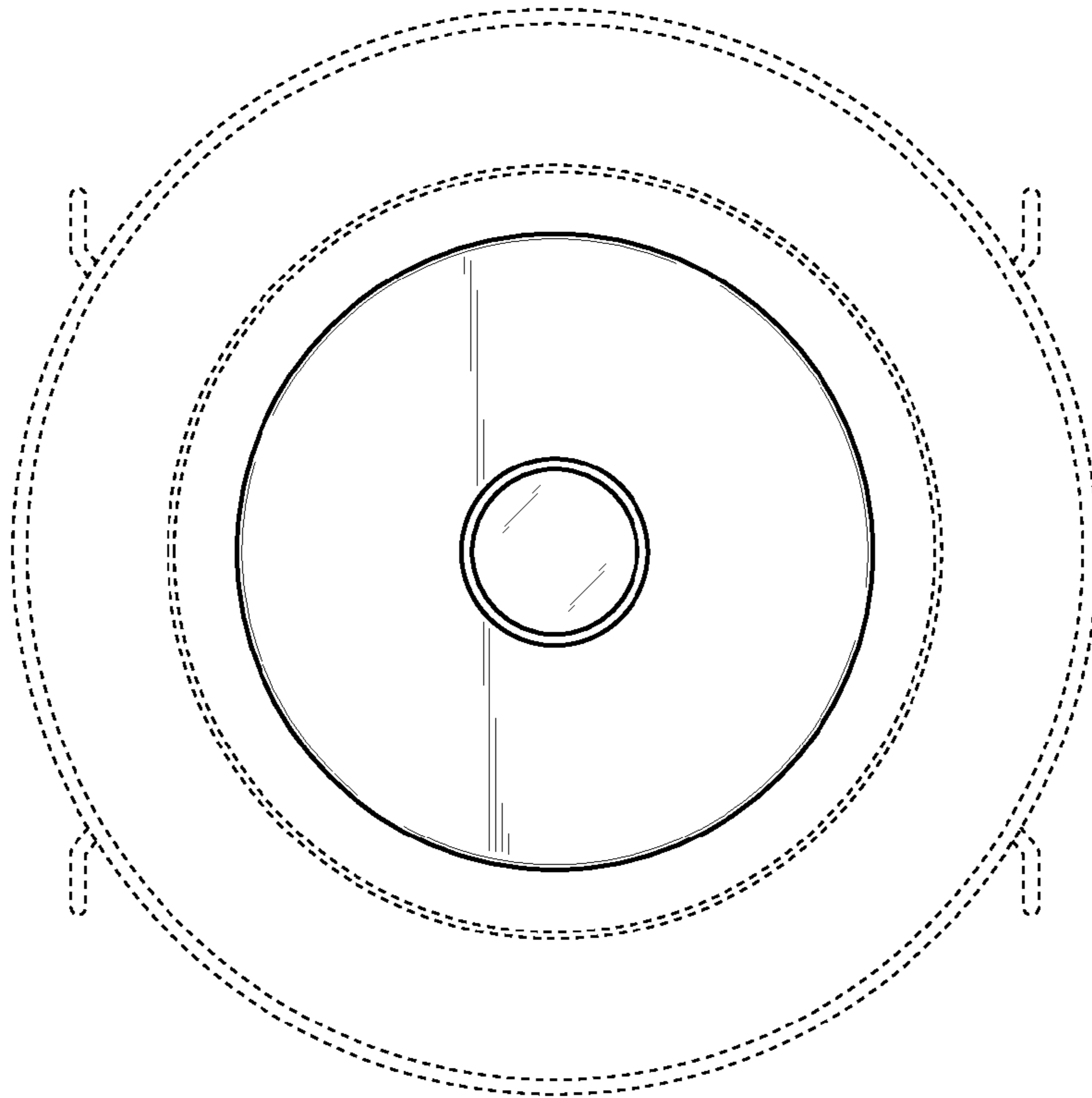


Fig. 2

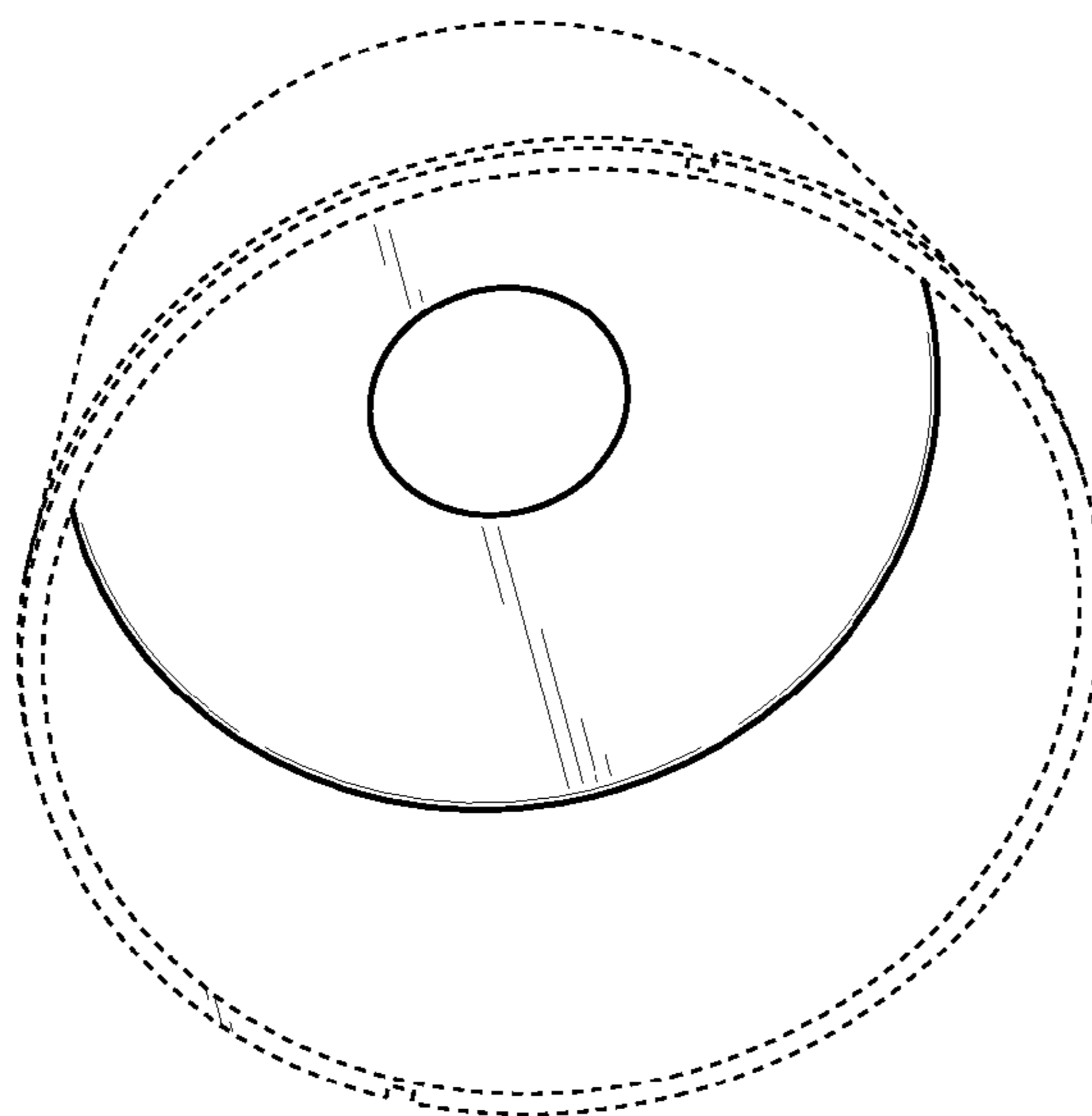


Fig. 3

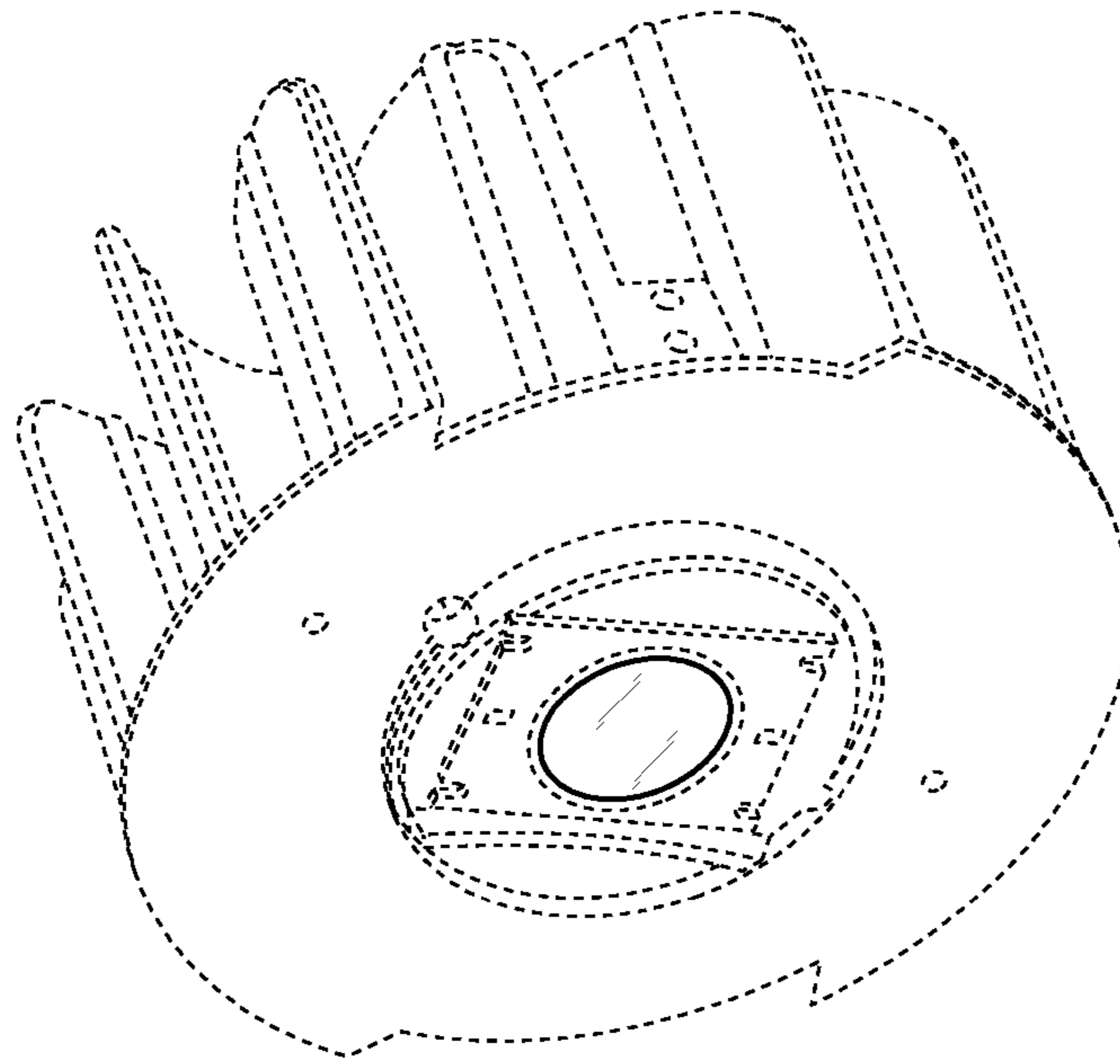


Fig. 4

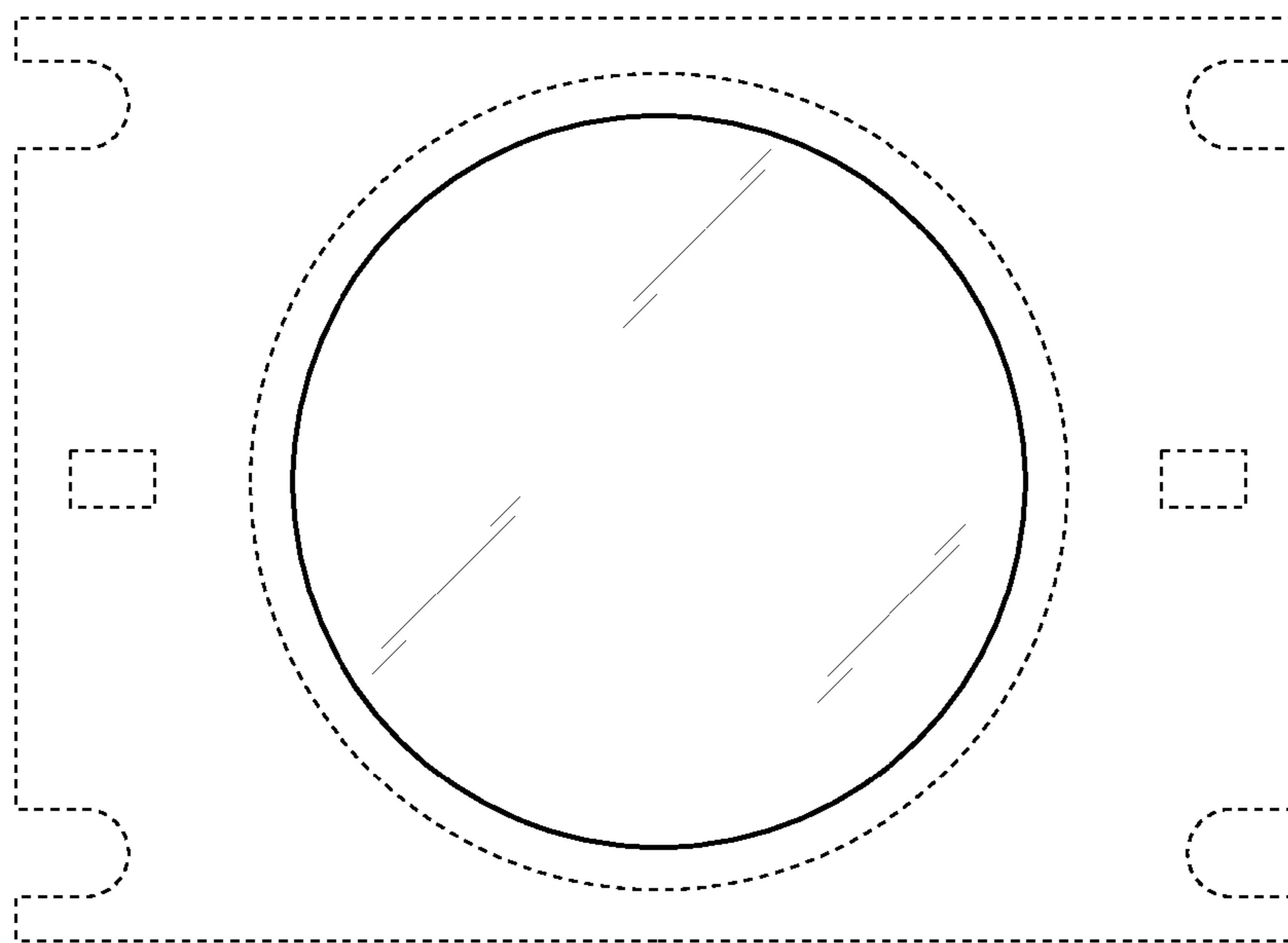


Fig. 5



Fig. 6

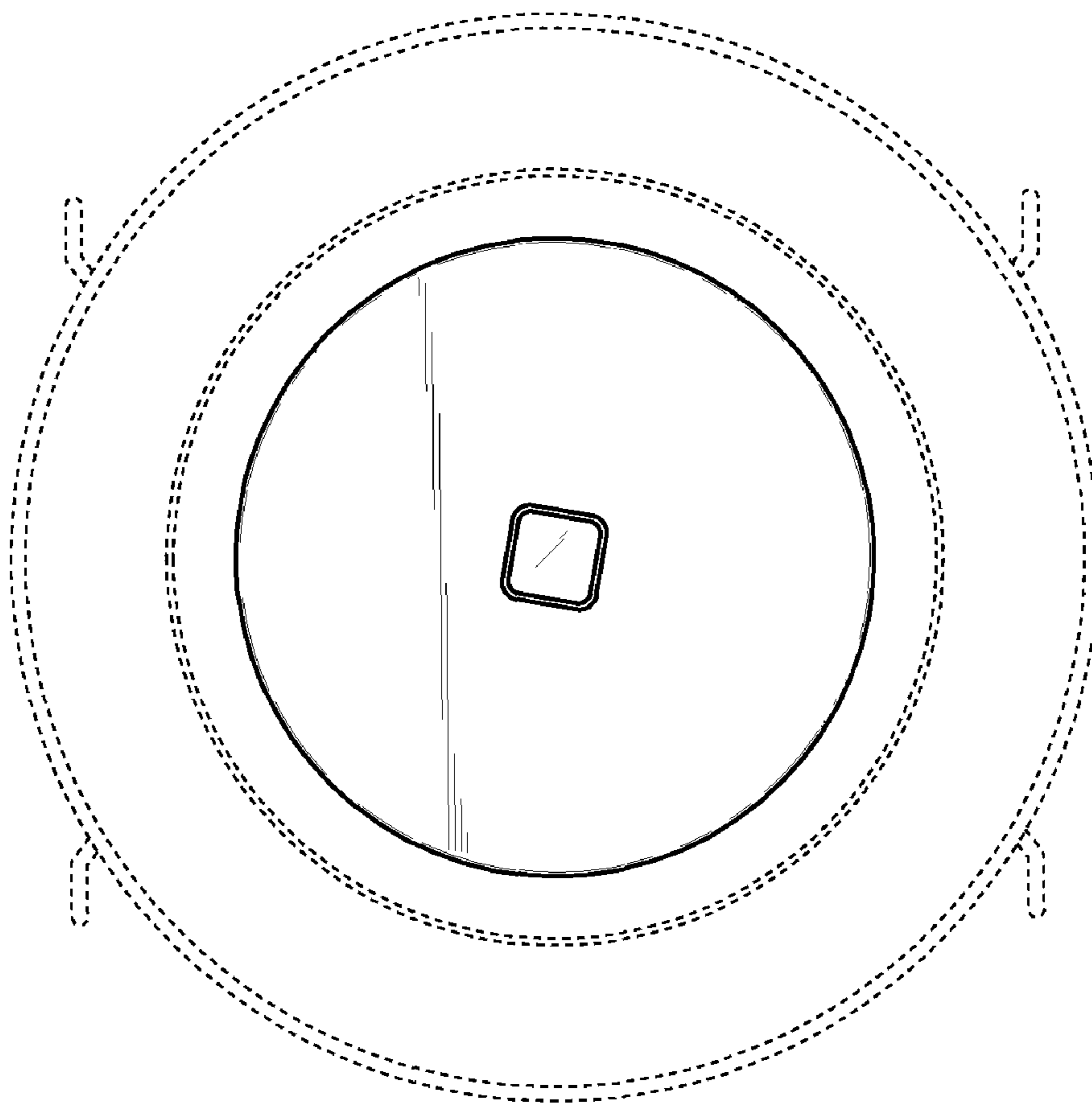


Fig. 7

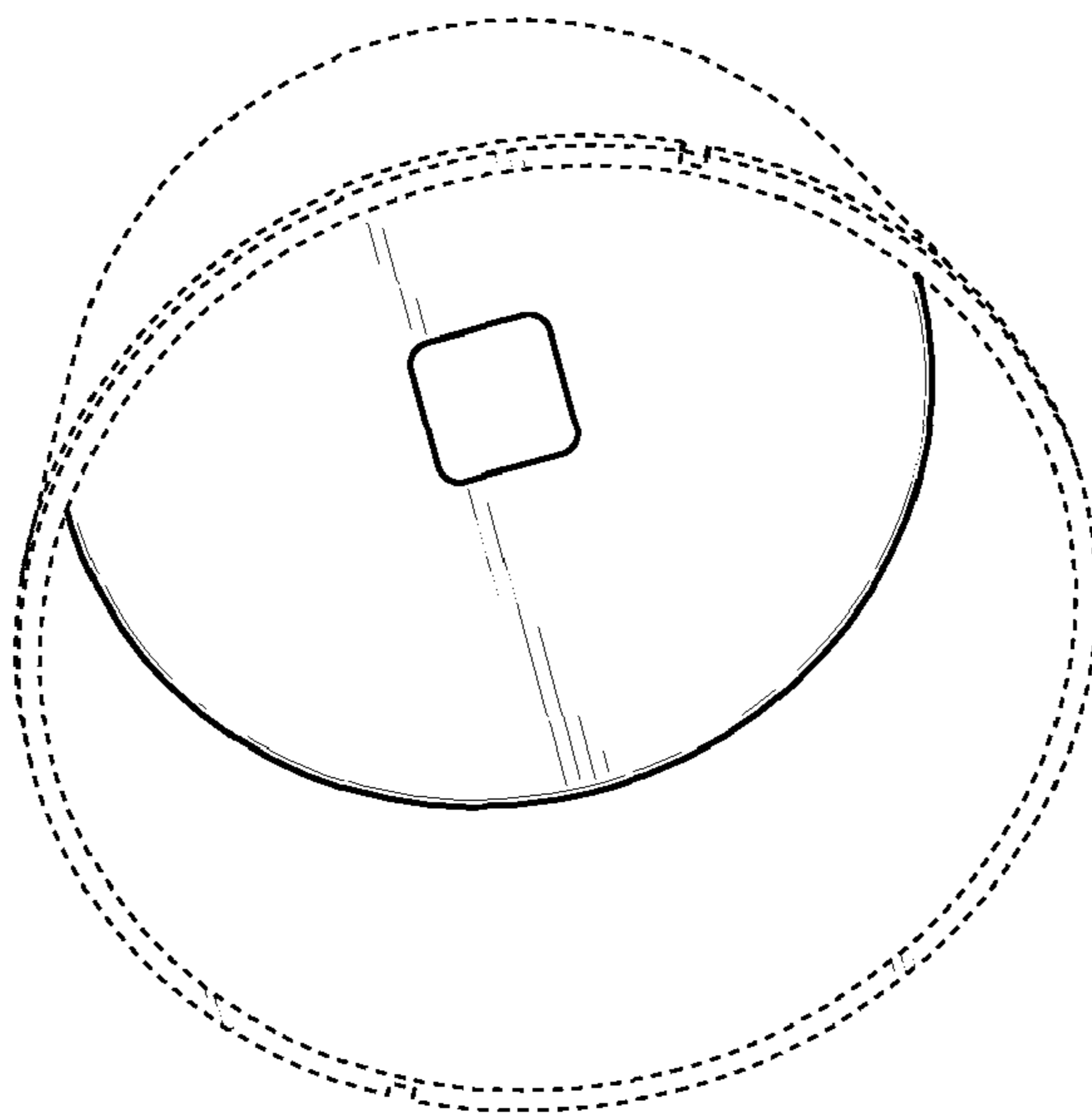


Fig. 8

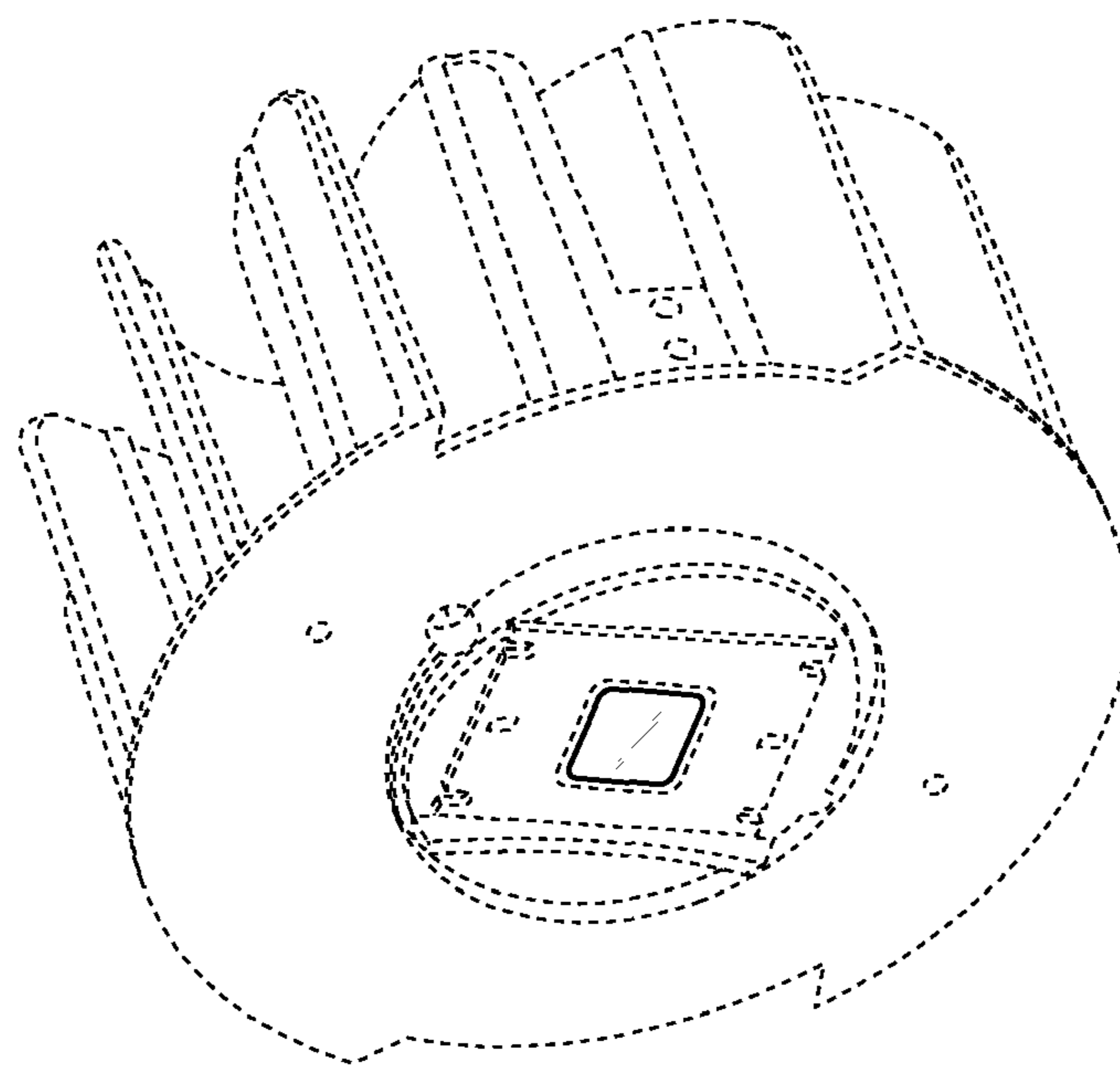


Fig. 9

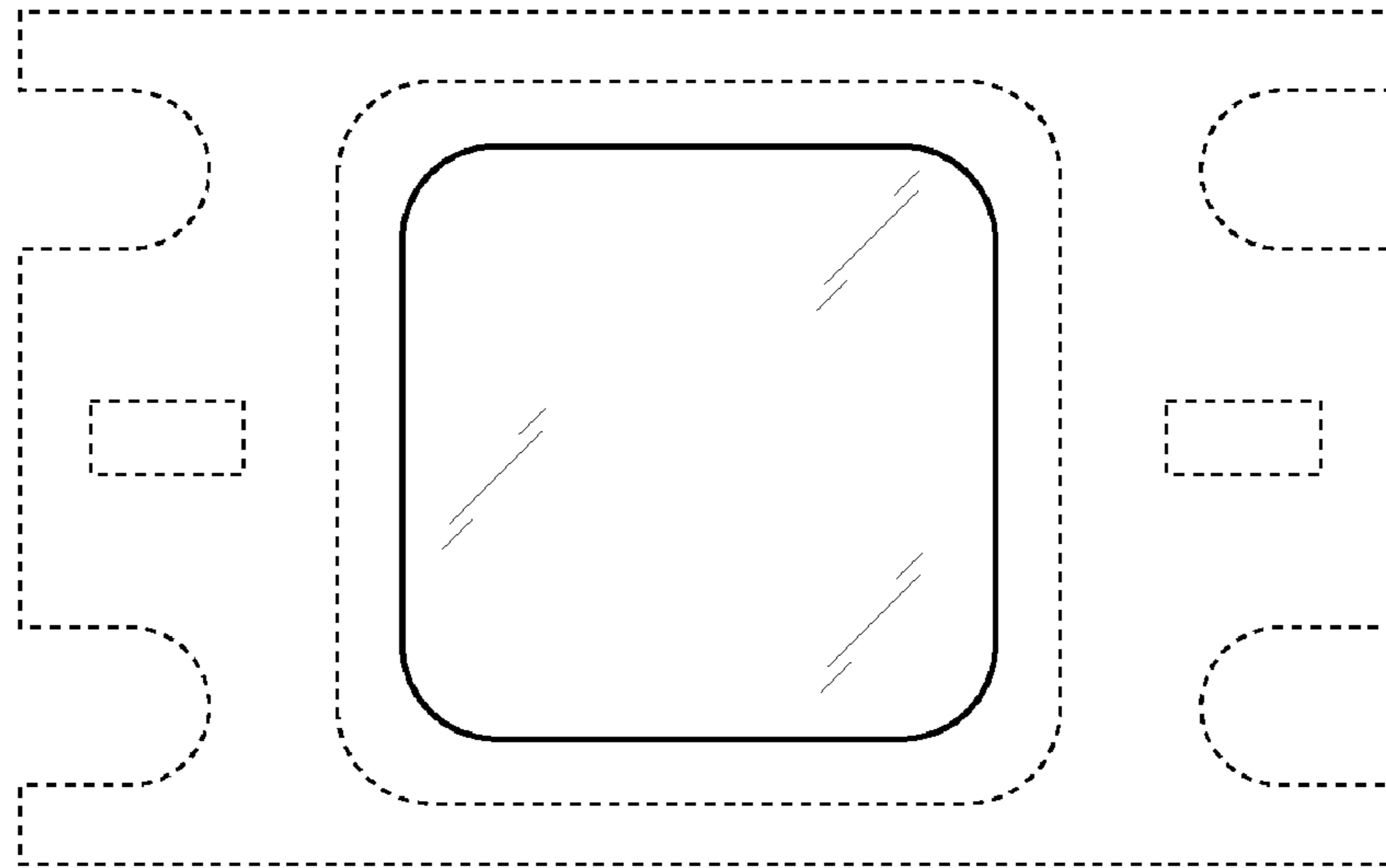


Fig. 10

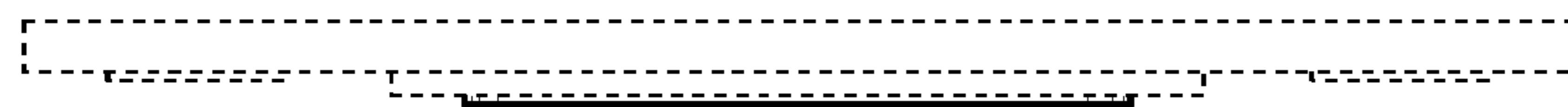


Fig. 11