



US0D1013070S

(12) **United States Design Patent**  
**Dabrowski**

(10) **Patent No.:** **US D1,013,070 S**

(45) **Date of Patent:** **\*\* Jan. 30, 2024**

(54) **DUMBBELL**

(71) Applicant: **Ovibell Pflanzen, Deko und Freizeit GmbH & Co. KG**, Muelheim an der Ruhr (DE)

(72) Inventor: **Marc Dabrowski**, Muelheim an der Ruhr (DE)

(73) Assignee: **Ovibell Pflanzen, Deko and Freizeit GmbH & Co. KG**, Muelheim an der Ruhr (DE)

(\*\*) Term: **15 Years**

(21) Appl. No.: **29/802,669**

(22) Filed: **Aug. 6, 2021**

(51) **LOC (14) Cl.** ..... **21-02**

(52) **U.S. Cl.** ..... **D21/680**  
USPC .....

(58) **Field of Classification Search**  
USPC ..... D21/457, 488, 662, 678-682, 684;  
D3/201, 232, 234, 238-240; D9/516,  
D9/519, 522, 529, 531, 537; D11/1, 40,  
D11/44

CPC ..... A63B 21/072; A63B 23/12; A63B 21/06;  
A63B 21/0601; A63B 21/075; A63B  
23/1236; A63B 21/00094

See application file for complete search history.

(56) **References Cited**

**U.S. PATENT DOCUMENTS**

D522,594 S *	6/2006	Donahue .....	D21/682
D522,595 S *	6/2006	Donahue .....	D21/682
D616,949 S *	6/2010	Wang .....	D21/682
D653,716 S *	2/2012	Lin .....	
D654,971 S *	2/2012	Januszek .....	D21/682
D692,509 S *	10/2013	Kessler .....	D21/682
D726,264 S *	4/2015	Agate .....	D21/682
D728,040 S *	4/2015	Peterson .....	D21/680
D799,975 S *	10/2017	Anvaripour .....	D9/535
D811,019 S *	2/2018	Alton .....	D21/681

D877,824 S *	3/2020	Chiang .....	D21/680
D906,529 S *	12/2020	Metcalf .....	D24/214
D918,318 S *	5/2021	Liu .....	D21/682
D932,571 S *	10/2021	Wang .....	D21/680

(Continued)

**FOREIGN PATENT DOCUMENTS**

CN 301734932 11/2011

**OTHER PUBLICATIONS**

Polyfit Adjustable Kettlebell. Online, published date Aug. 24, 2021. Retrieved on Mar. 21, 2023 from URL: <https://www.amazon.com/Polyfit-Adjustable-Kettlebell-Weights-Home/dp/B095XDYB1F?th=1>.\*

(Continued)

*Primary Examiner* — Omeed Agilee

*Assistant Examiner* — David Truong

(74) *Attorney, Agent, or Firm* — Pauly, DeVries Smith & Definer LLC

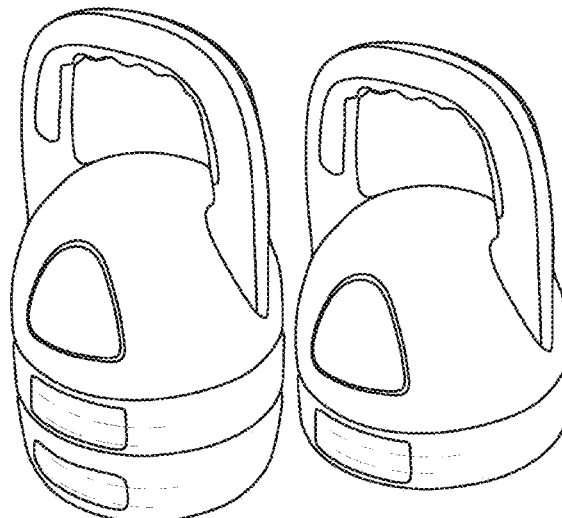
(57) **CLAIM**

The ornamental design for a dumbbell, as shown and described.

**DESCRIPTION**

FIG. 1 is a top front right side perspective view of a dumbbell according to a first embodiment. FIG. 2 is a front view of the dumbbell of FIG. 1. FIG. 3 is a rear view of the dumbbell of FIG. 1. FIG. 4 is a right side view of the dumbbell of FIG. 1. FIG. 5 is a left side view of the dumbbell of FIG. 1. FIG. 6 is a top front right side perspective view of a dumbbell according to a second embodiment. FIG. 7 is a front view of the dumbbell of FIG. 6. FIG. 8 is a rear view of the dumbbell of FIG. 6. FIG. 9 is a right side view of the dumbbell of FIG. 6; and, FIG. 10 is a left side view of the dumbbell of FIG. 6.

**1 Claim, 10 Drawing Sheets**



(56)

**References Cited**

U.S. PATENT DOCUMENTS

D942,559	S	*	2/2022	Wang	.....	D21/680
D950,654	S	*	5/2022	Wang	.....	D21/680
D955,507	S	*	6/2022	Wang	.....	D21/680
D971,597	S	*	12/2022	Bär	.....	D3/234
D975,513	S	*	1/2023	Richardson	.....	D8/38
2008/0081744	A1		4/2008	Gormley		
2010/0120588	A1		5/2010	Krull		
2011/0263392	A1		10/2011	Yu		
2018/0169460	A1*		6/2018	Chen	.....	A63B 21/075
2021/0379440	A1*		12/2021	Sisler	.....	A63B 21/072

OTHER PUBLICATIONS

Apex Adjustable Heavy=Duty Exercise kettlebell. Online, published date Aug. 8, 2017. Retrieved on Mar. 21, 2023 from URL: <https://www.amazon.com/Apex-Adjustable-Heavy-Duty-Weightlifting-APKB-5009/dp/B074N5392C/>.\*

\* cited by examiner

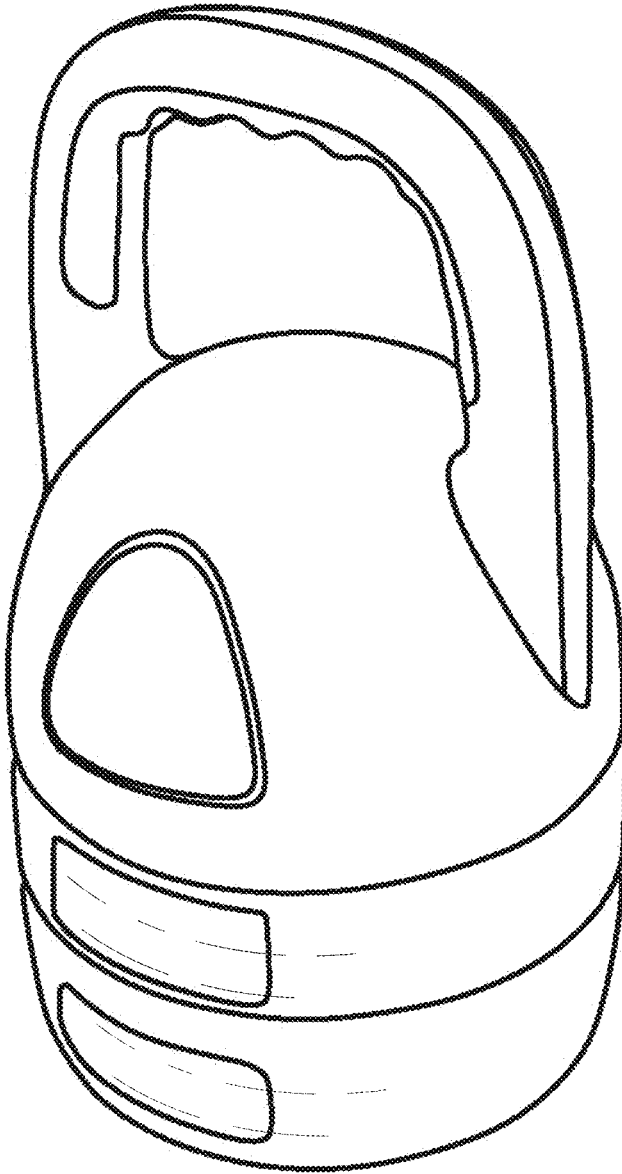


FIG. 1

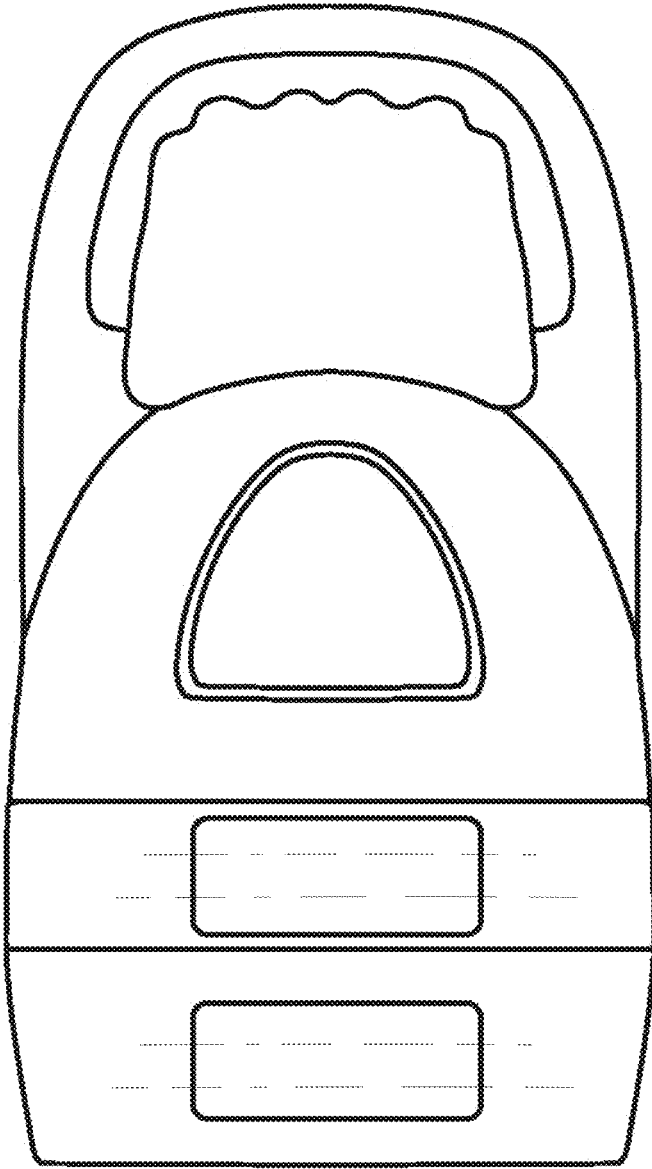


FIG. 2

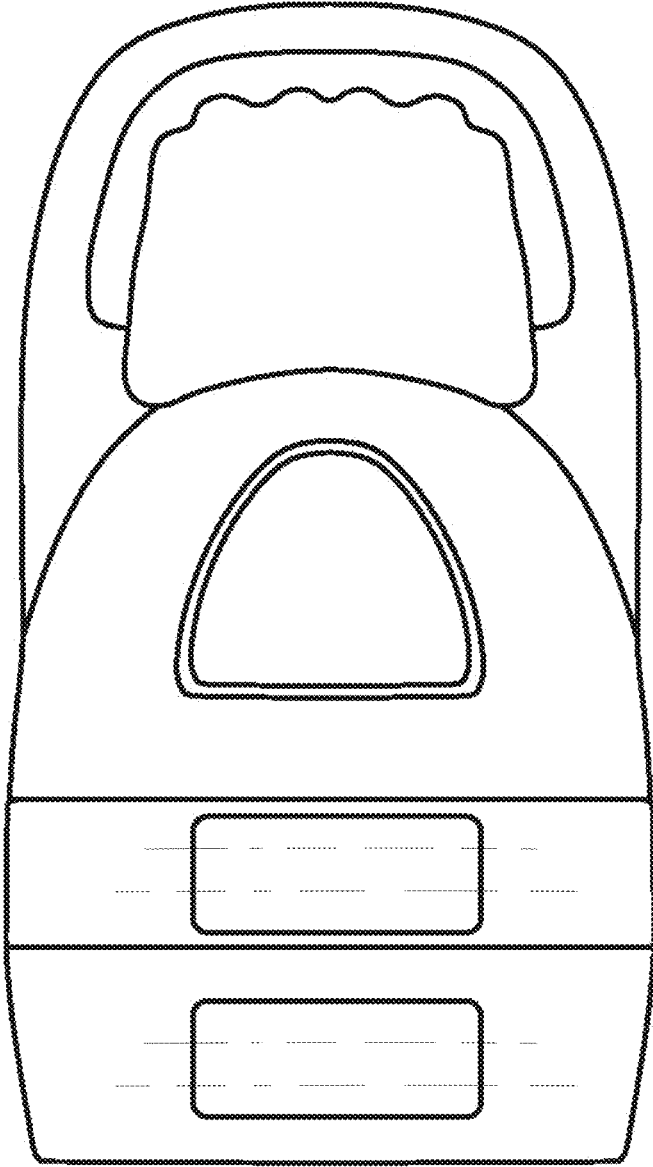


FIG. 3

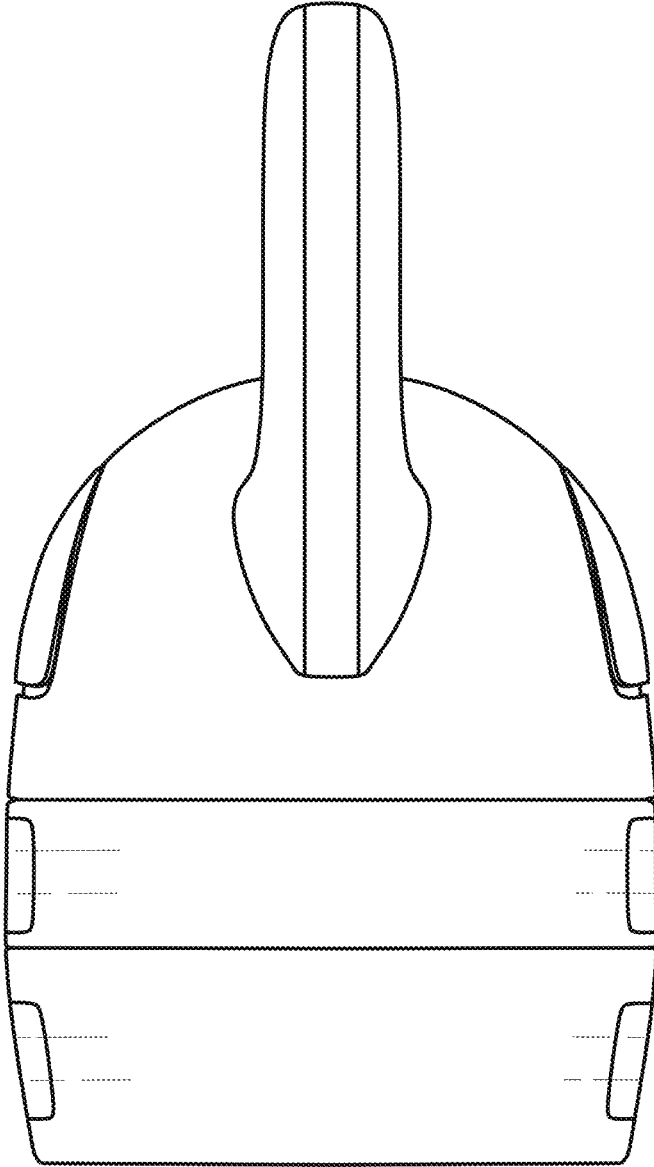


FIG. 4

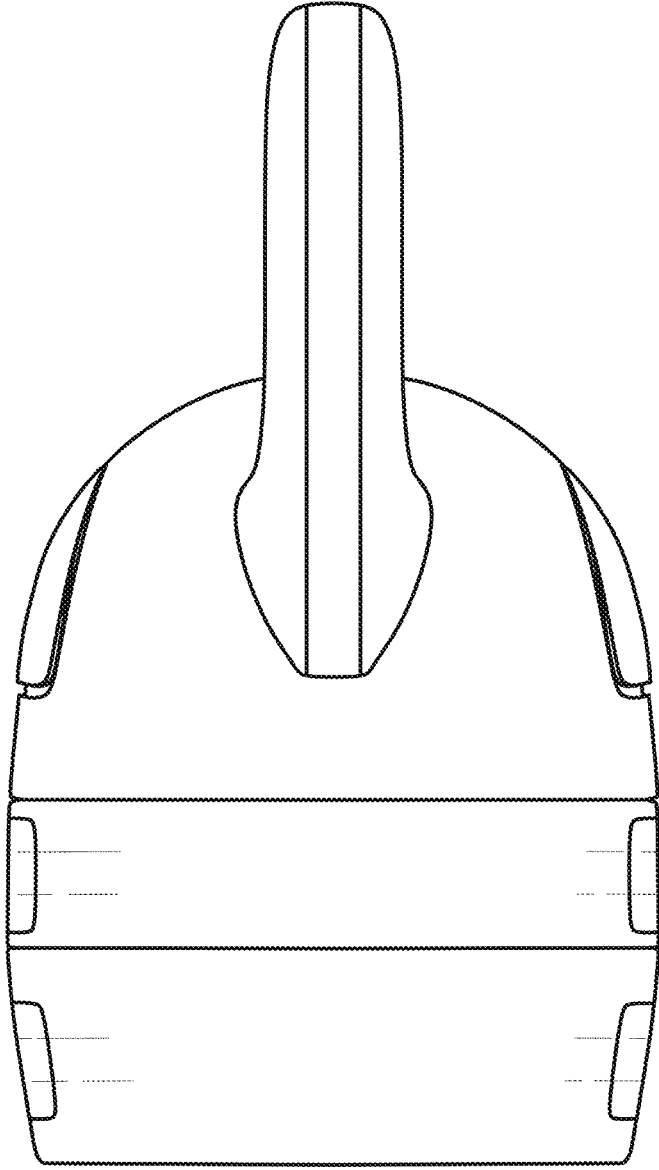


FIG. 5

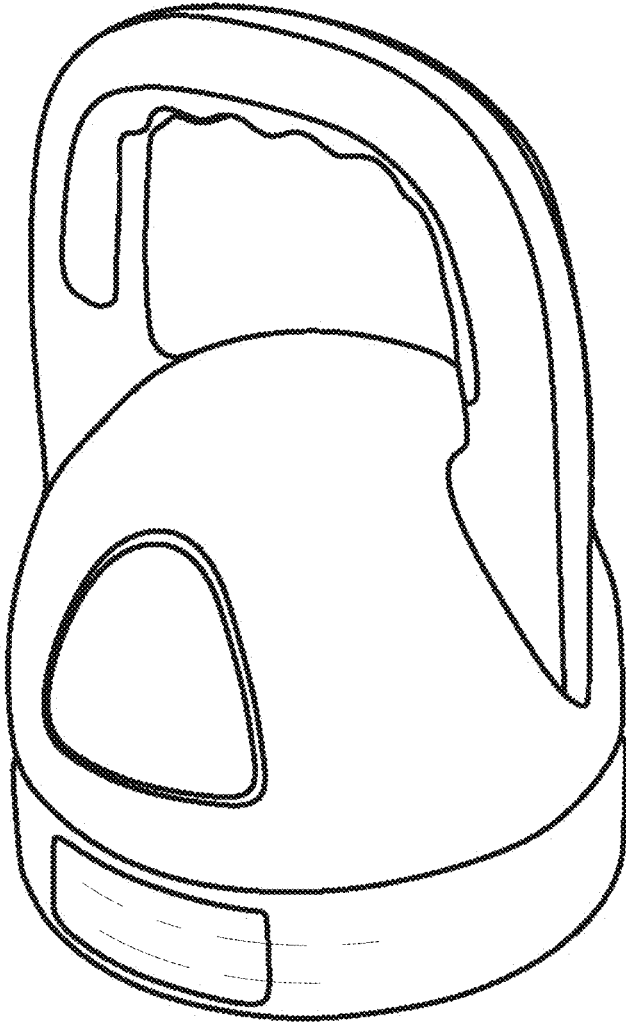


FIG. 6



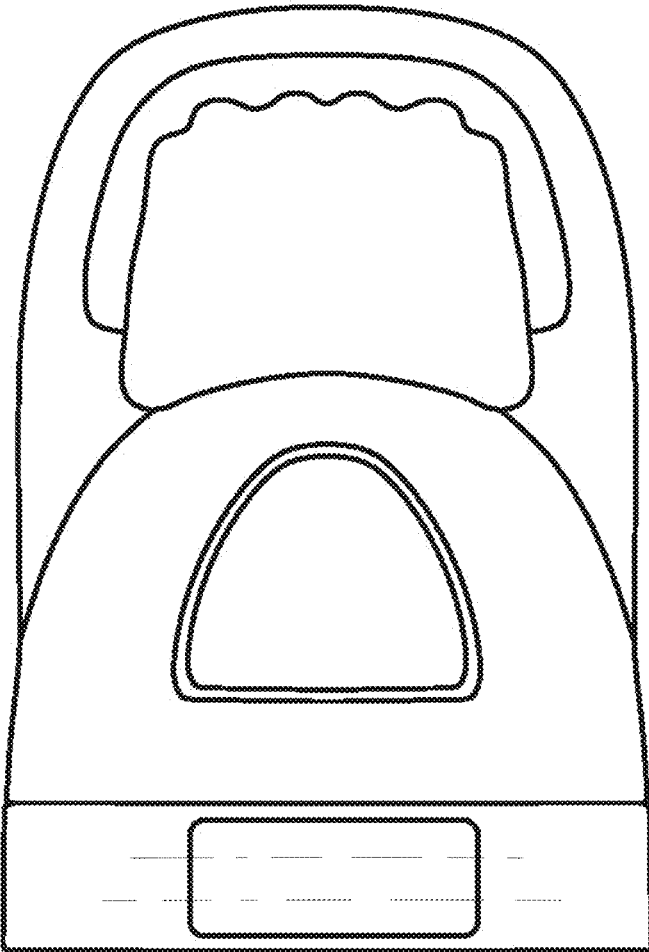


FIG. 7

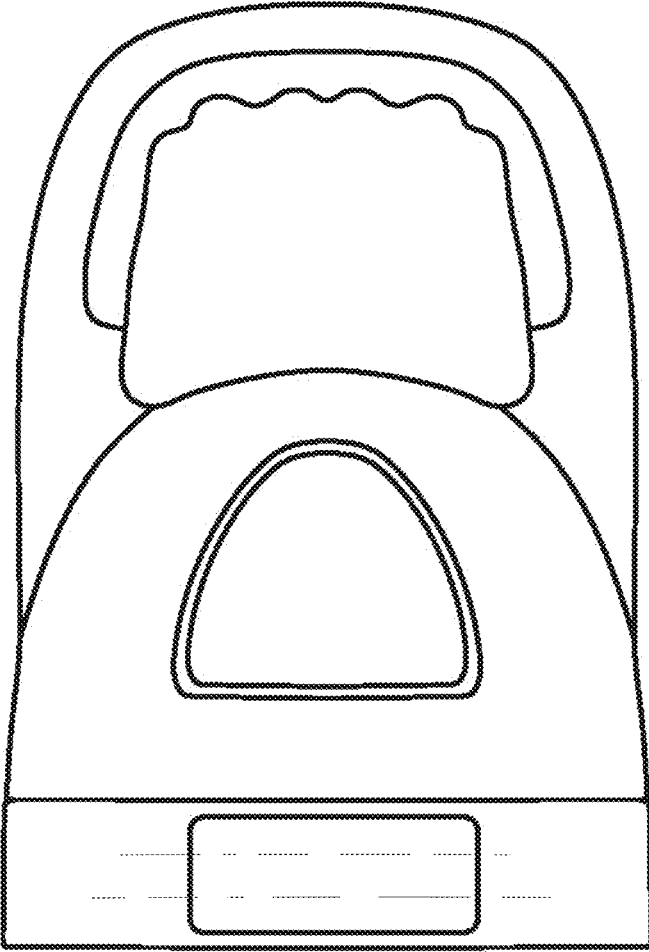


FIG. 8

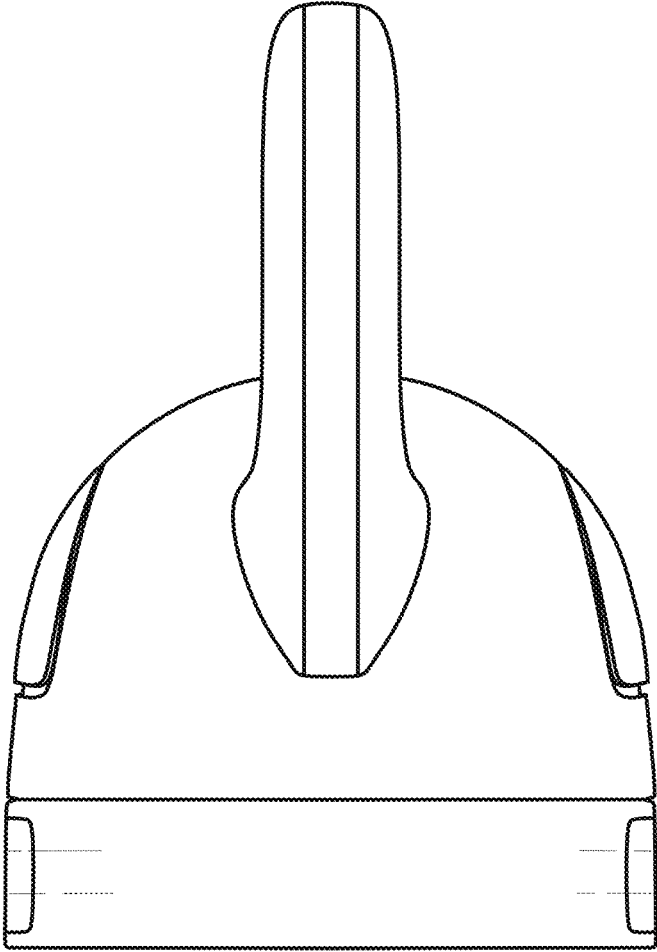


FIG. 9

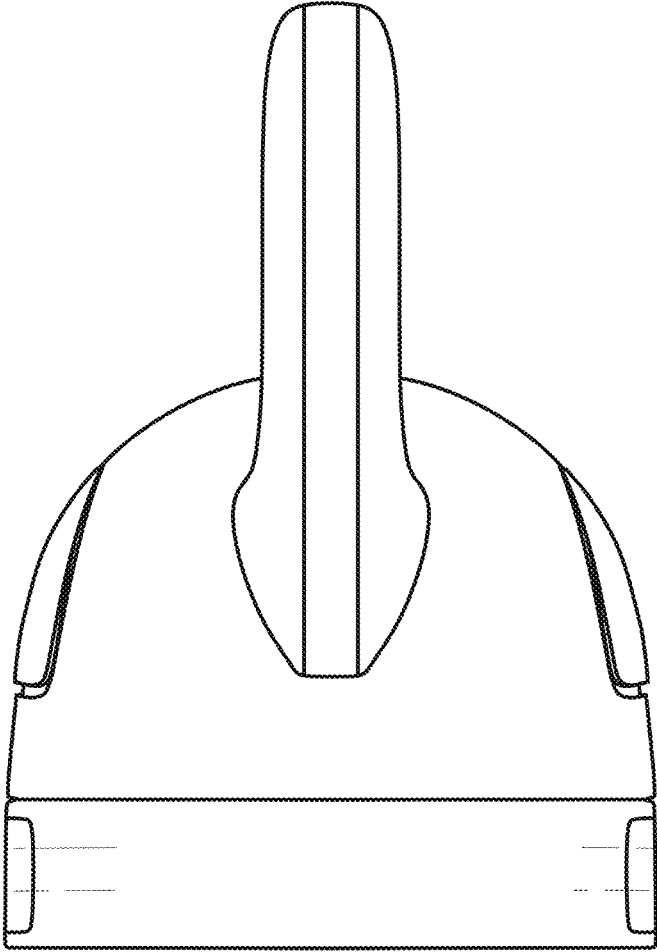


FIG. 10