



US00D957987S

(12) **United States Design Patent**
Hall et al.

(10) **Patent No.:** **US D957,987 S**

(45) **Date of Patent:** **** Jul. 19, 2022**

(54) **TRUCK TRAY**

(71) Applicant: **Austin Engineering Limited**, Milton (AU)

(72) Inventors: **Jamie Vincent Clarke Hall**, Kalamunda (AU); **Lyndon Brian Greeshaw**, Yokine (AU)

(73) Assignee: **Austin Engineering Limited**

(**) Term: **15 Years**

(21) Appl. No.: **29/710,442**

(22) Filed: **Oct. 23, 2019**

(30) **Foreign Application Priority Data**

Apr. 23, 2019 (AU) 201912227

(51) **LOC (13) Cl.** **12-08**

(52) **U.S. Cl.**
USPC **D12/15**

(58) **Field of Classification Search**
USPC D12/1, 14, 15, 98, 82, 96, 221; D15/10, D15/21-26, 28, 33
CPC B60P 1/283; B60P 1/28; B60P 1/30; B60P 1/286; B60P 1/16; F16C 11/04; F16C 2326/01; B60G 2200/10

See application file for complete search history.

(56) **References Cited**

U.S. PATENT DOCUMENTS

D118,033 S	12/1939	Alexander
D172,979 S	9/1954	Mortag
D189,025 S	10/1960	Acker
D190,023 S	4/1961	Parsley et al.
D198,841 S	8/1964	Simmons et al.
D204,604 S	5/1966	Fryer
D206,708 S	1/1967	Maxon, Jr.
3,521,930 A	7/1970	Tucker
D268,830 S	5/1983	Sutela

D289,748 S	5/1987	Proeschl
D386,128 S	11/1997	Gerding et al.
D386,722 S	11/1997	Dunphy
5,772,271 A	6/1998	Sanders
D409,524 S	5/1999	McKinney
D414,138 S	9/1999	McKinney
D425,825 S	5/2000	Shambeau et al.

(Continued)

FOREIGN PATENT DOCUMENTS

AU	332686 S	9/2010
AU	2012213921 A1	9/2013

(Continued)

OTHER PUBLICATIONS

Search Report for Chilean Application No. 202000495 dated Mar. 22, 2021; 3 pages.

(Continued)

Primary Examiner — Ania Aman
(74) *Attorney, Agent, or Firm* — Lerner, David, Littenberg, Krumholz & Mentlik, LLP

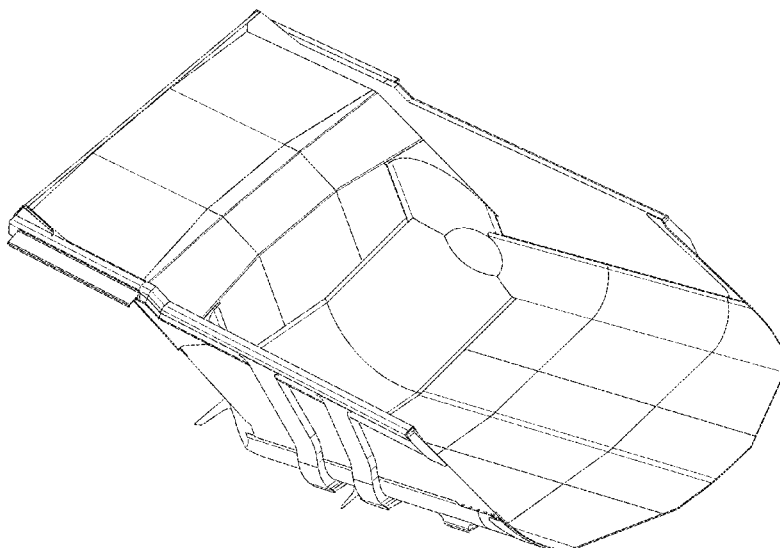
(57) **CLAIM**

The ornamental design for a truck tray, as shown and described.

DESCRIPTION

FIG. 1 is a first top perspective view of a truck tray according to our new design;
FIG. 2 is a second top perspective view thereof;
FIG. 3 is a bottom perspective view thereof;
FIG. 4 is a left side view thereof;
FIG. 5 is a right side view thereof;
FIG. 6 is a rear elevation view thereof;
FIG. 7 is a front elevation view thereof;
FIG. 8 is a top plan view thereof; and,
FIG. 9 is a bottom elevation view thereof.

1 Claim, 9 Drawing Sheets



(56)

References Cited

U.S. PATENT DOCUMENTS

D429,662 S 8/2000 Smith et al.
 D431,498 S 10/2000 Smith et al.
 D450,627 S 11/2001 Musso et al.
 D466,135 S 11/2002 Spomer et al.
 D476,999 S 7/2003 Truan et al.
 D560,553 S * 1/2008 Vance D12/15
 D606,565 S 12/2009 Hickenbottom
 D649,168 S 11/2011 Hall
 D885,975 S * 6/2020 Hettinger D12/15
 D886,673 S * 6/2020 Hettinger D12/15
 D909,277 S * 2/2021 Hall D12/221
 2003/0015906 A1 1/2003 Mistler
 2003/0080603 A1 5/2003 Connor
 2003/0156933 A1 8/2003 Arne et al.
 2005/0115795 A1 6/2005 Bailey
 2009/0315387 A1 12/2009 Smith
 2012/0207581 A1 * 8/2012 Hagenbuch B60P 1/286
 414/812
 2013/0234468 A1 9/2013 Hall
 2013/0255083 A1 * 10/2013 Hagenbuch B62D 25/20
 29/897.1
 2014/0054925 A1 2/2014 Hyde et al.
 2014/0159465 A1 * 6/2014 Hagenbuch B60H 1/00014
 298/1 H
 2014/0333090 A1 11/2014 Garcia-Huidobro Valdivieso
 2015/0001910 A1 * 1/2015 Natarajan B60P 1/286
 298/1 H

2015/0165957 A1 * 6/2015 Sarangapani B60P 1/286
 296/183.2
 2015/0239385 A1 * 8/2015 Kitaguchi B60P 1/28
 296/183.2
 2018/0022259 A1 * 1/2018 Zamorano B62D 65/02
 296/183.2
 2018/0312097 A1 * 11/2018 Petrie B60P 1/283
 2019/0263311 A1 * 8/2019 Robbs B60P 1/286
 2019/0381925 A1 * 12/2019 Arul B60P 1/286
 2021/0188147 A1 * 6/2021 De Jager B60P 1/286

FOREIGN PATENT DOCUMENTS

AU 2010332139 B2 7/2014
 AU 201815225 S 5/2019
 AU 201912455 S 6/2019
 AU 201912456 S 6/2019
 AU 201912457 S 6/2019
 AU 201912459 S 6/2019
 CL 42705 B 7/2006
 CL 2011003363 A1 7/2012
 WO 2012103664 A1 8/2012

OTHER PUBLICATIONS

Hercules Tray from DT Australia, pp. 6-7, available as early as Jul. 22, 2019 (Machine generated translation is attached).

* cited by examiner

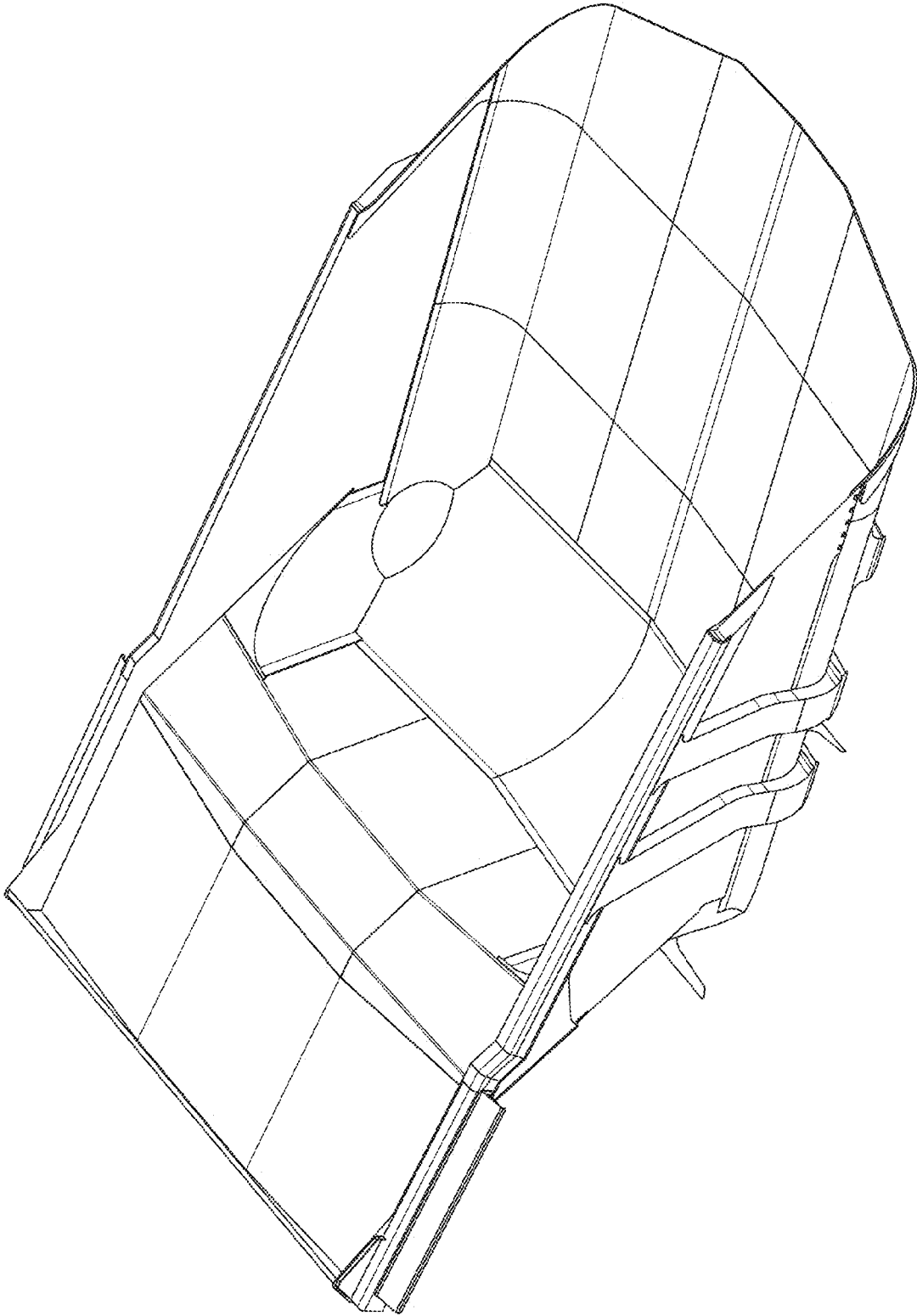
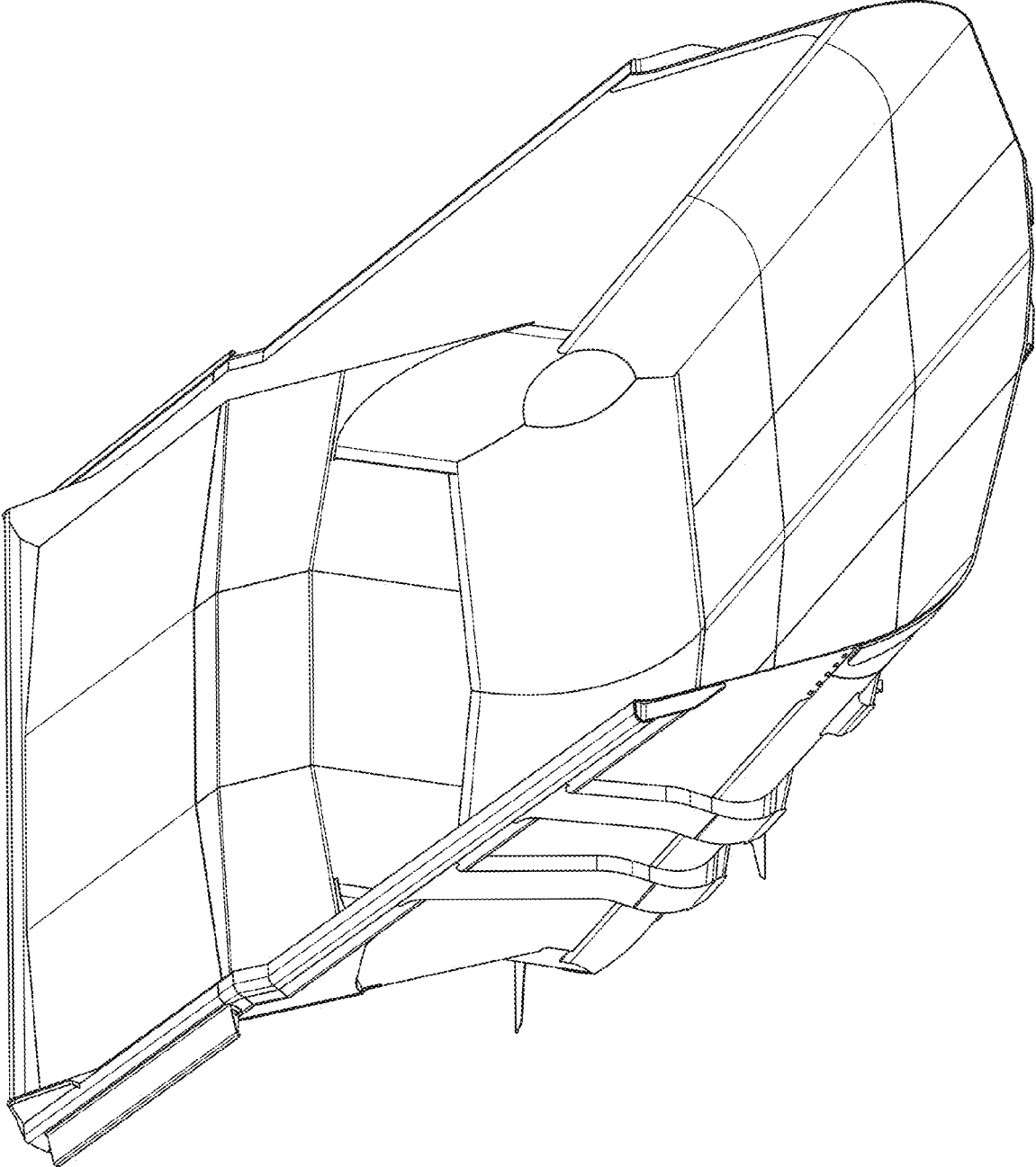


FIG. 1

FIG. 2



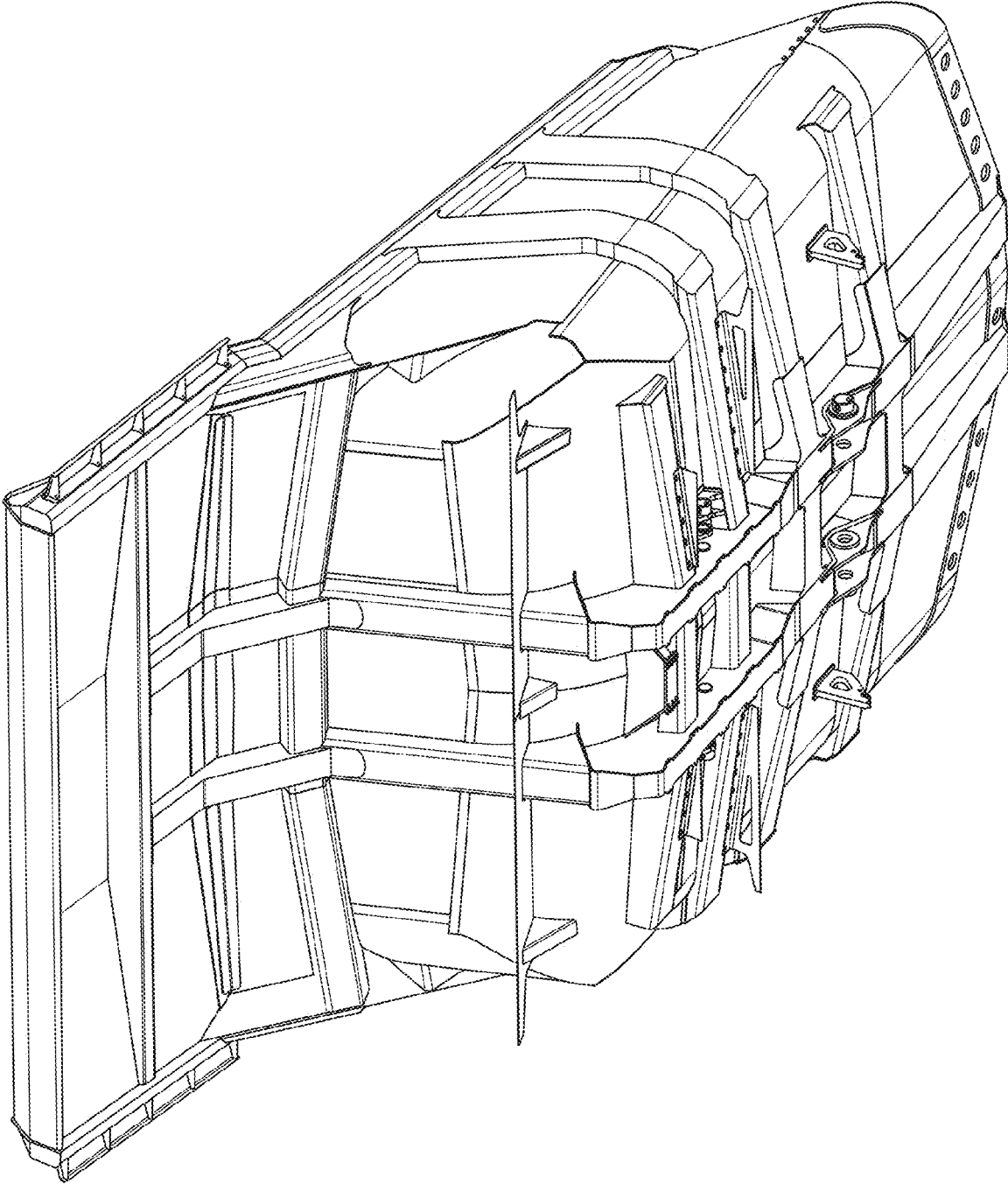


FIG. 3

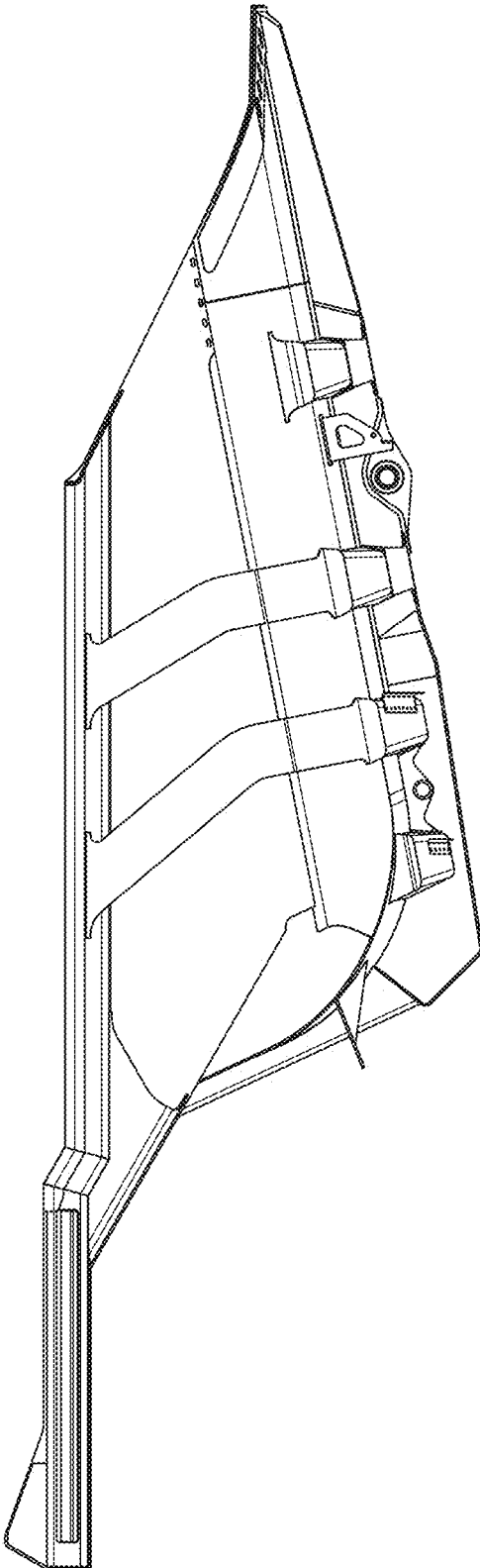


FIG. 4

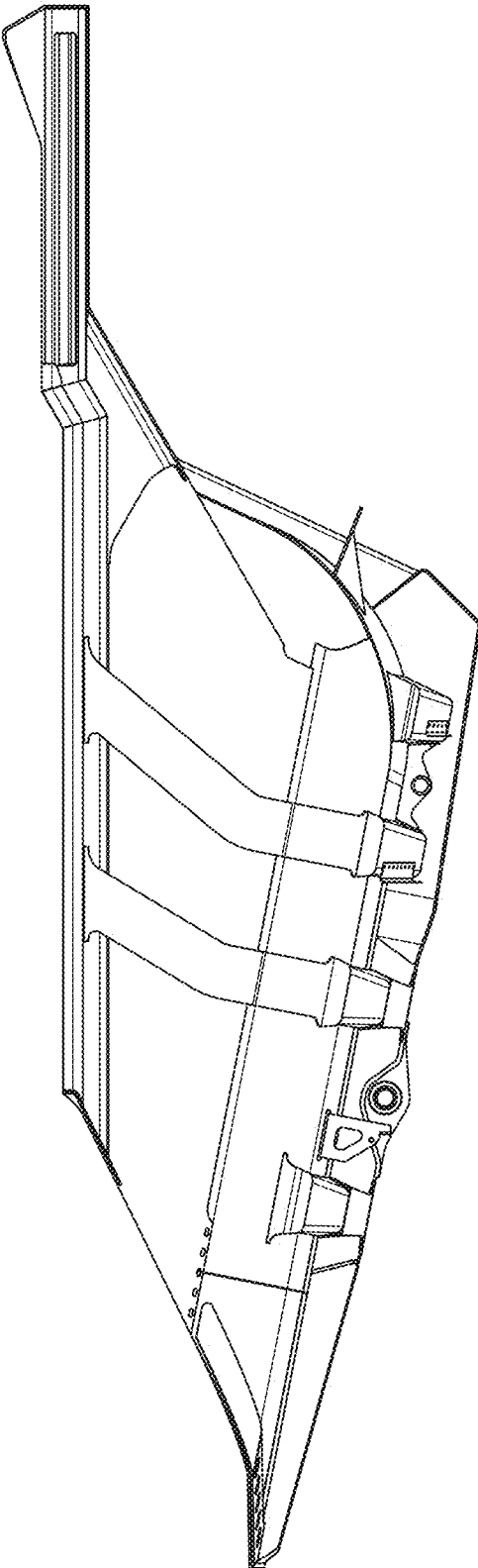


FIG. 5

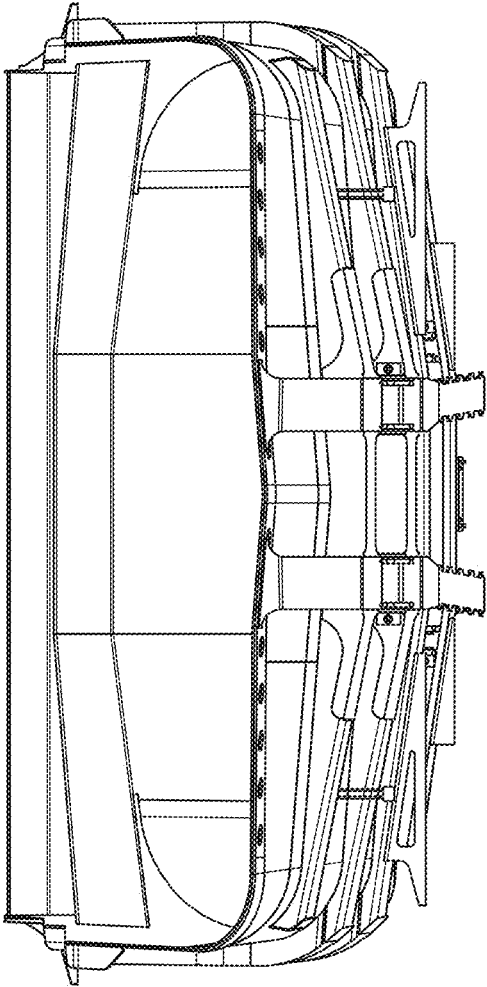


FIG. 6

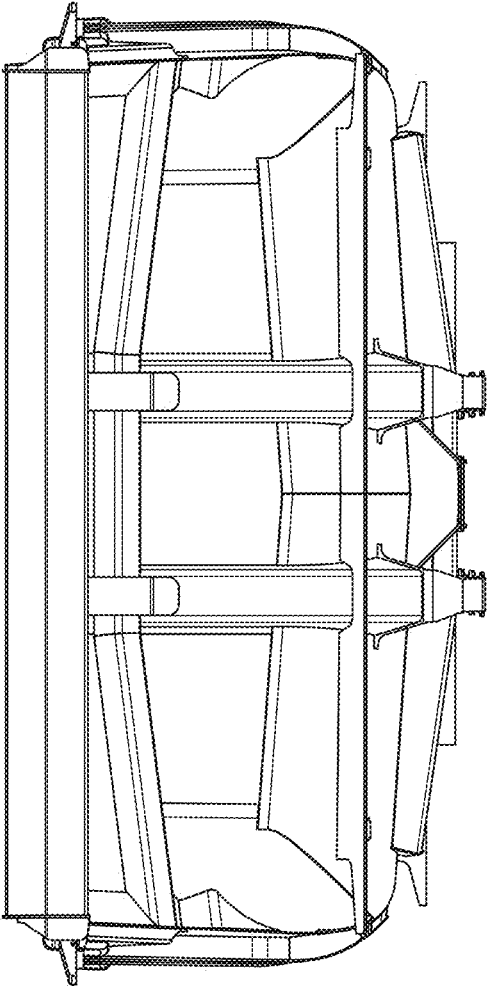


FIG. 7

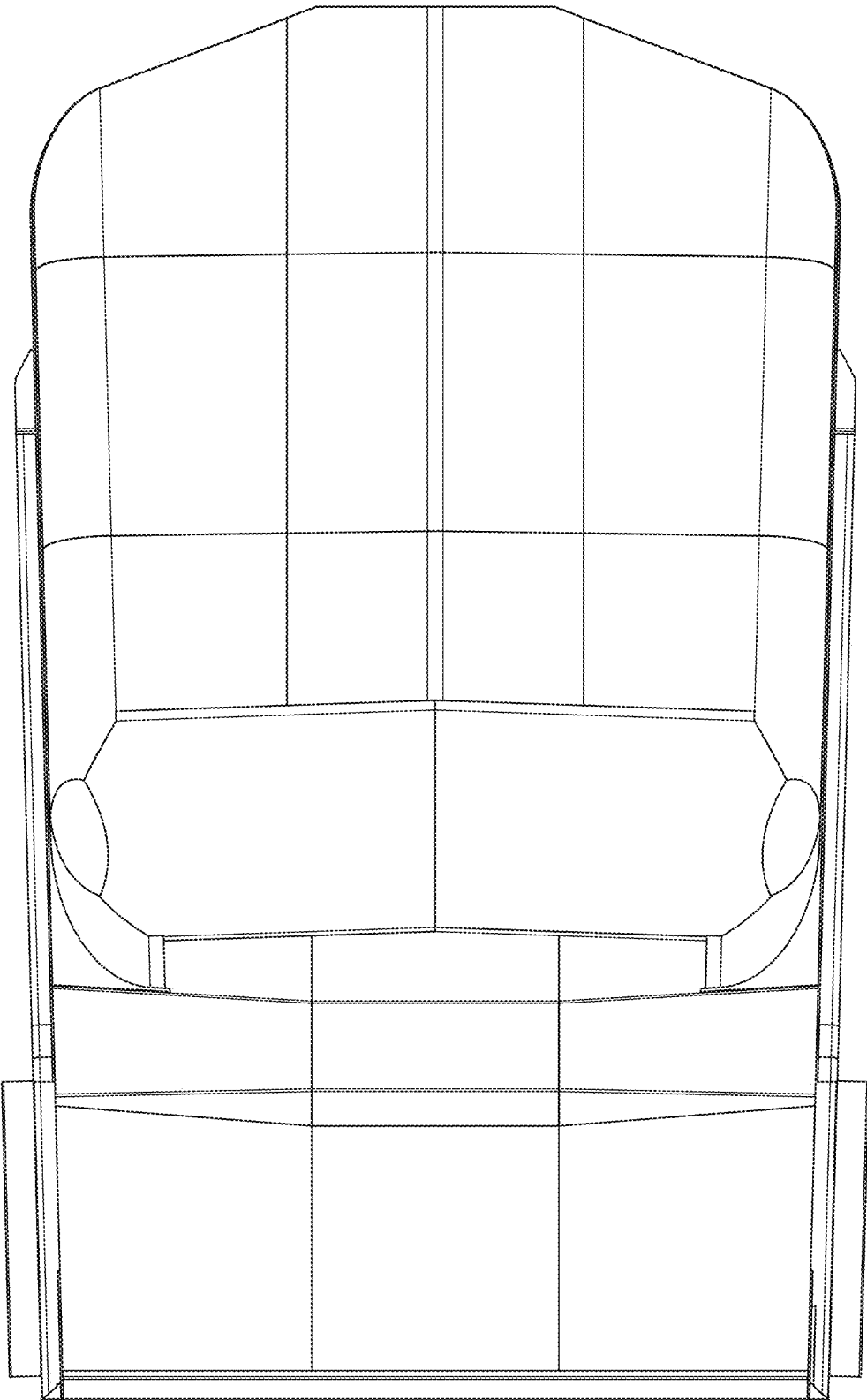


FIG. 8

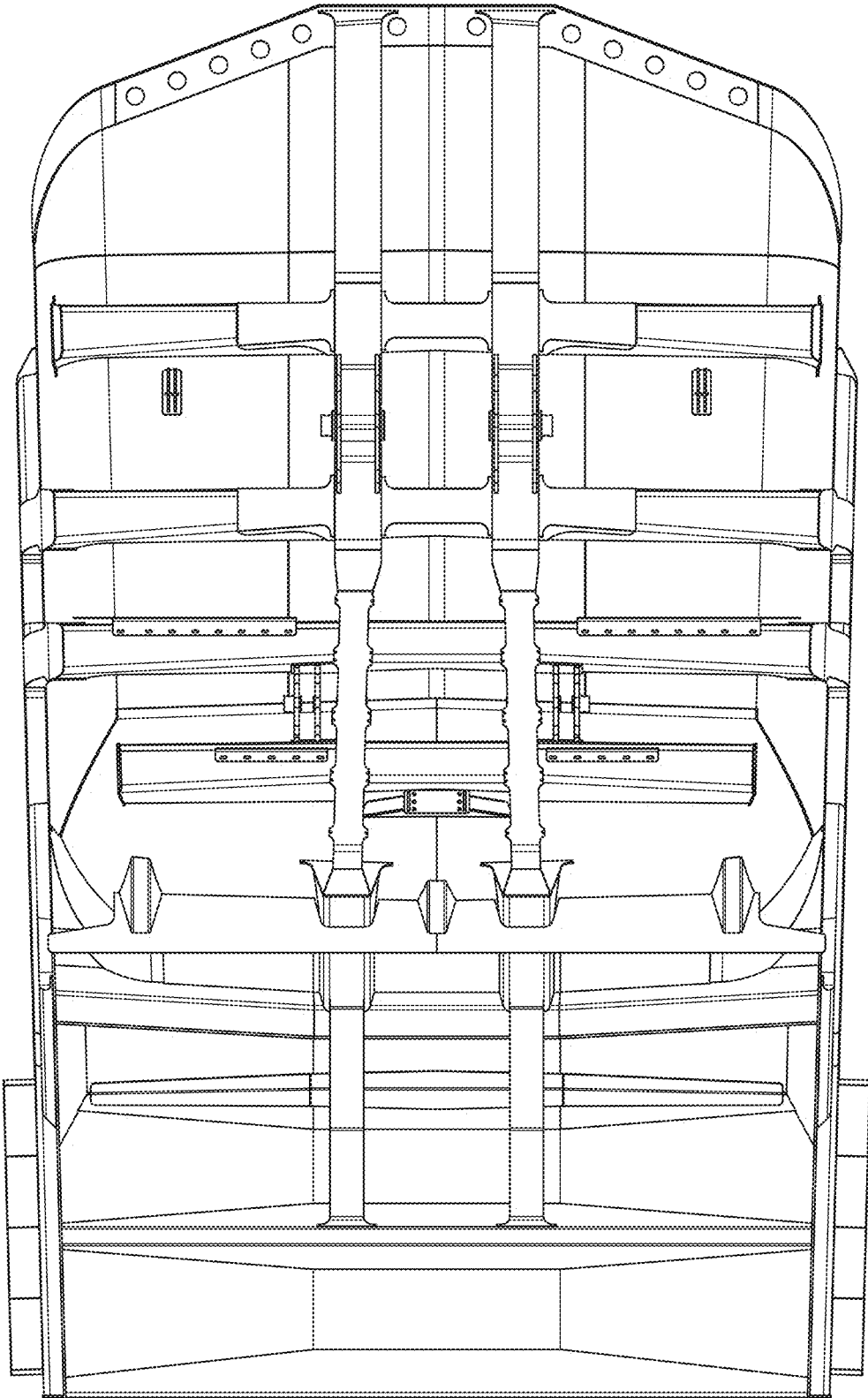


FIG. 9