



US00D470424S

(12) **United States Design Patent** (10) **Patent No.:** **US D470,424 S**
Hand et al. (45) **Date of Patent:** **** Feb. 18, 2003**

(54) **SELF LEVELING ROTARY LASER**

(75) Inventors: **James C. Hand**, Glen Ellyn, IL (US);
Michael M. Zhang, Schaumburg, IL (US)

(73) Assignee: **Chicago Steel Tape Company**,
Watseka, IL (US)

(**) Term: **14 Years**

(21) Appl. No.: **29/157,981**

(22) Filed: **Mar. 27, 2002**

(51) **LOC (7) Cl.** **10-04**

(52) **U.S. Cl.** **D10/69**

(58) **Field of Search** D10/69; 33/291,
33/295, DIG. 21; 356/138, 249, 250; 372/9-30

(56) **References Cited**

U.S. PATENT DOCUMENTS

3,936,197 A	2/1976	Aldrink et al.	
4,062,634 A	12/1977	Rando et al.	
4,679,937 A	7/1987	Cain et al.	
5,644,850 A	7/1997	Costales	
5,680,208 A	10/1997	Butler et al.	
5,983,510 A	11/1999	Wu et al.	
D418,432 S	* 1/2000	Krantz	D10/69

OTHER PUBLICATIONS

Levelite Technology Inc. laser level literature.
Hilti PR Series laser level literature.
Sokkia LP21-LP22 laser level literature.
Bosch BL 50 R laser level literature.

Bosch BL 100 VHR laser level literature.
Topcon laser level brochure.
Topcon RL-VH3 laser level literature.
Topcon RL-H1S/H2S laser level literature.
Topcon RL-VH laser level literature.
Topcon RL-H/RL-60 Series laser level literature.
Topcon RL-VH3 Series laser level literature.
Pro Shot laser level literature.
David White Auto Laser laser level literature.
Laser Alignment LB-1000 laser level literature.
Pacific Laser laser level literature, Jan. 24, 2001.
Toolz, Inc. laser level literature.

* cited by examiner

Primary Examiner—Antoine Duval Davis
(74) *Attorney, Agent, or Firm*—Lee, Mann, Smith,
McWilliams, Sweeney and Ohlson

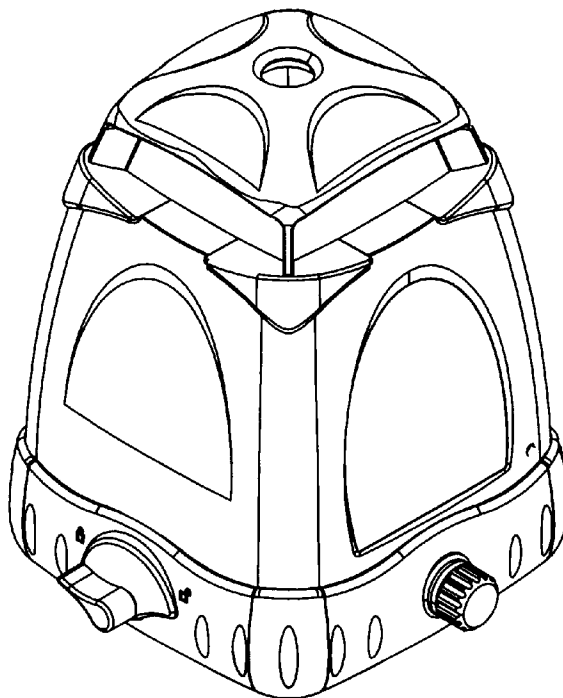
(57) **CLAIM**

The ornamental design for a self leveling rotary laser, as shown and described.

DESCRIPTION

FIG. 1 is a top view of a new design for a self leveling rotary laser according to our invention;
FIG. 2 is a front view thereof;
FIG. 3 is a perspective view illustrating the front and left view thereof;
FIG. 4 is a left view thereof;
FIG. 5 is another perspective view illustrating the right and rear view thereof; and,
FIG. 6 is a right view thereof.

1 Claim, 3 Drawing Sheets



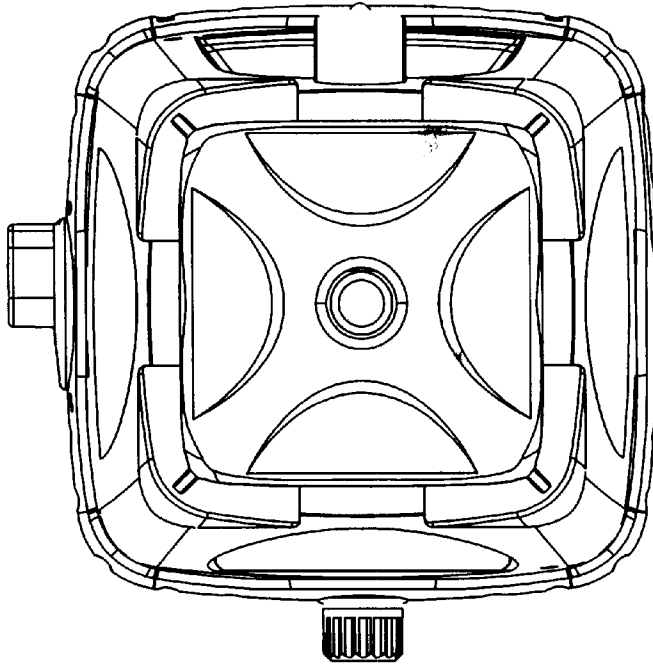


Fig. 1

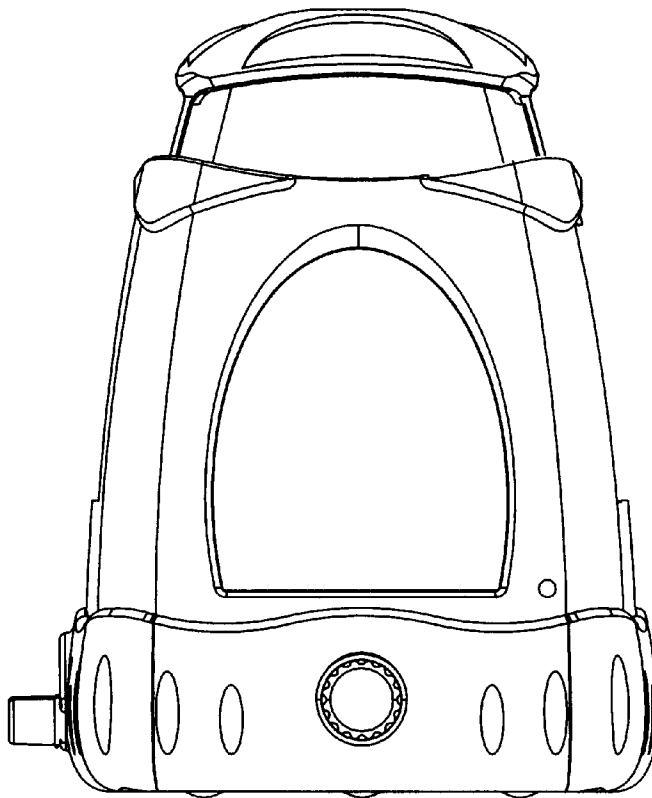


Fig. 2

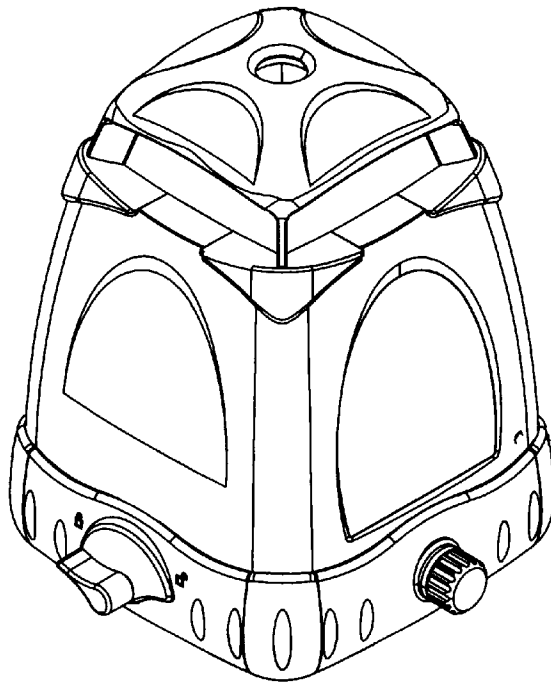


Fig. 3

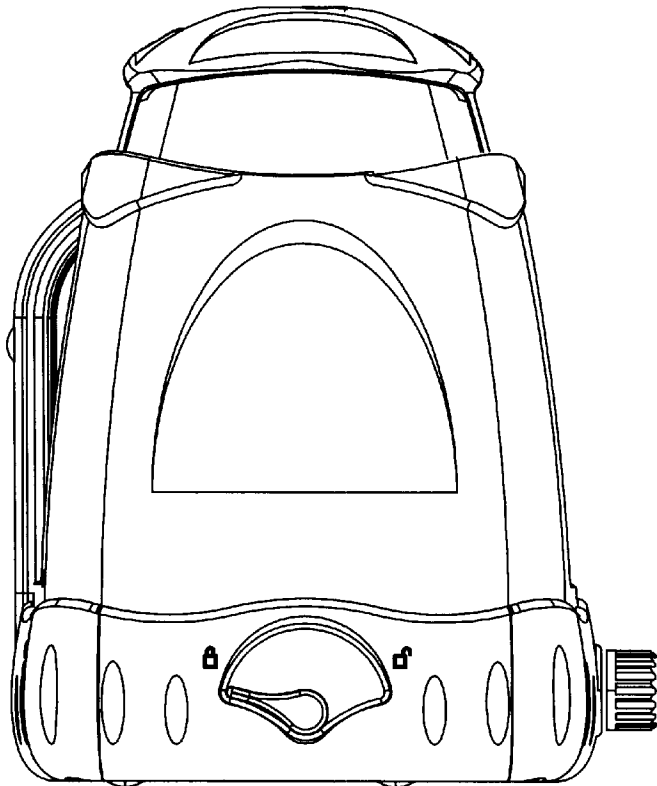


Fig. 4

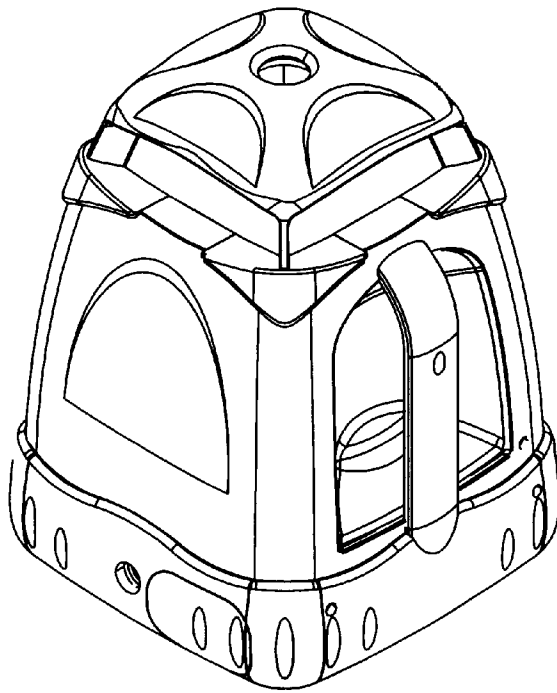


Fig. 5

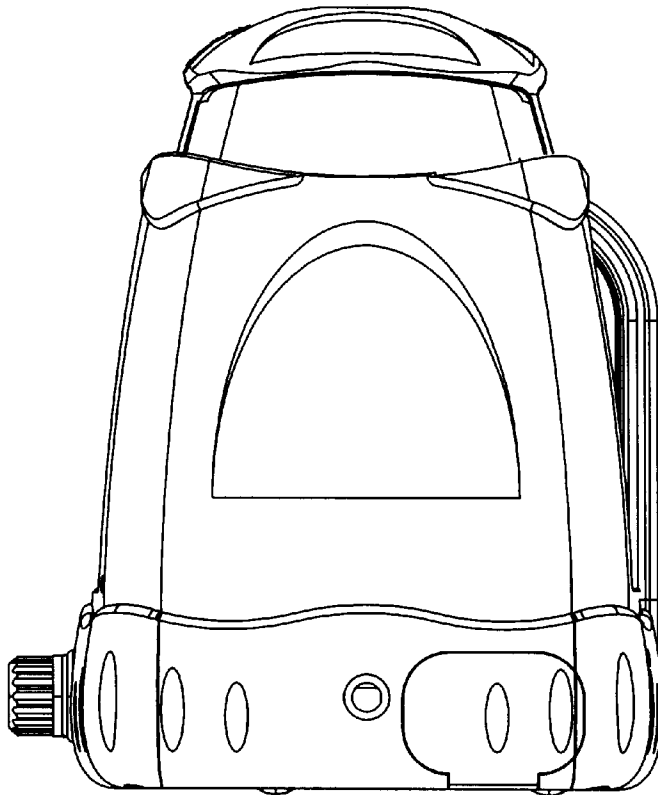


Fig. 6