

[54] BOOKCASE OR SIMILAR ARTICLE

[75] Inventor: Nicholas A. Ungaro, Louisville, Ky.

[73] Assignee: Schweiger Industries, Inc., Jefferson, Wis.

[**] Term: 14 Years

[21] Appl. No.: 245,679

[22] Filed: Mar. 19, 1981

Related U.S. Application Data

[62] Division of Ser. No. 72,765, Sep. 5, 1979.

[51] Int. Cl. D06-04

[52] U.S. Cl. D6/167; D6/186

[58] Field of Search D6/85, 167, 108, 150, D6/181, 186

[56] References Cited

U.S. PATENT DOCUMENTS

D. 188,742 8/1960 Kiegel et al. D6/186
D. 259,685 6/1981 Scalice D6/186 X

Primary Examiner—Joel Stearman

Assistant Examiner—Carmen H. Vales

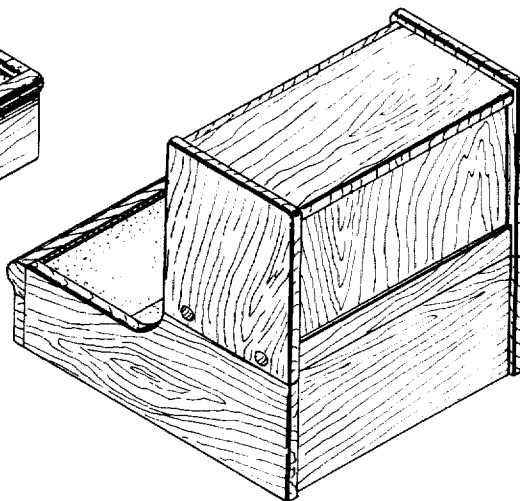
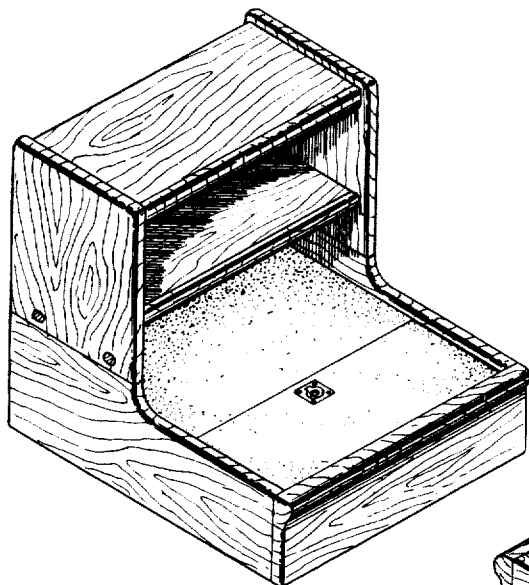
Attorney, Agent, or Firm—Lalos, Leeds, Keegan, Lett & Marsh

[57] CLAIM

The ornamental design for a bookcase or similar article, as shown and described.

DESCRIPTION

FIG. 1 is a perspective view of a bookcase or similar article showing my new design; FIG. 2 is a rear perspective view thereof; FIG. 3 is a front elevational view thereof; and FIG. 4 is a top plan view thereof.



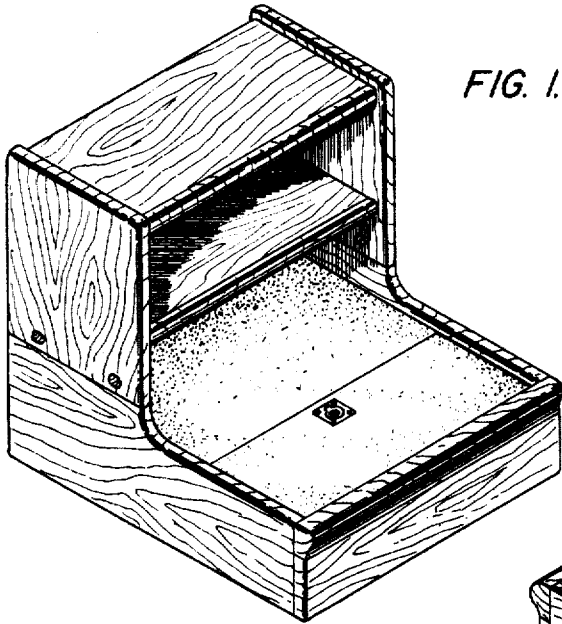


FIG. 1.

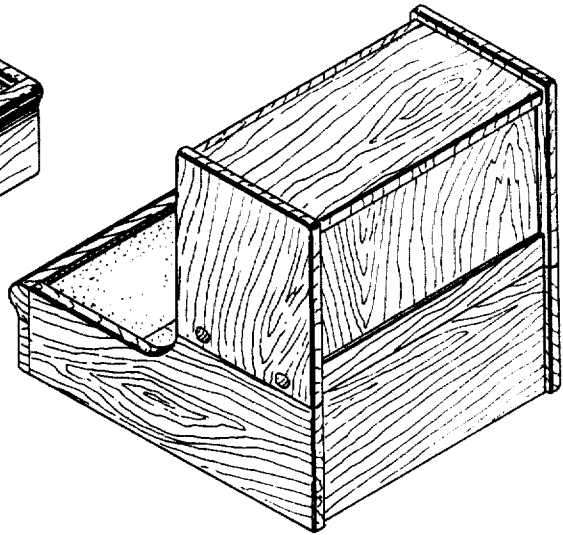


FIG. 2.

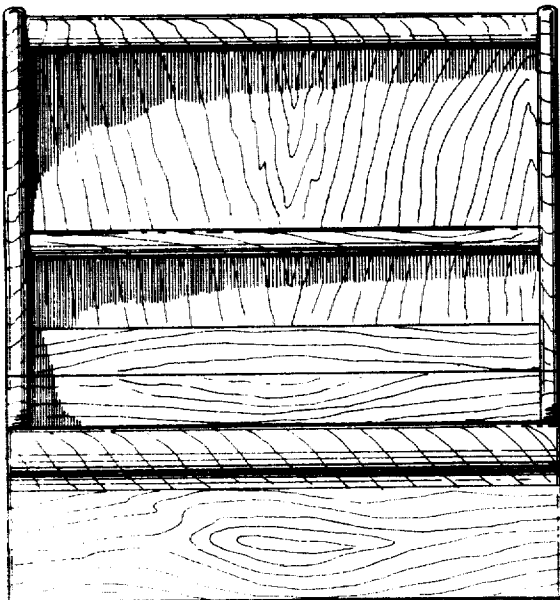


FIG. 3.

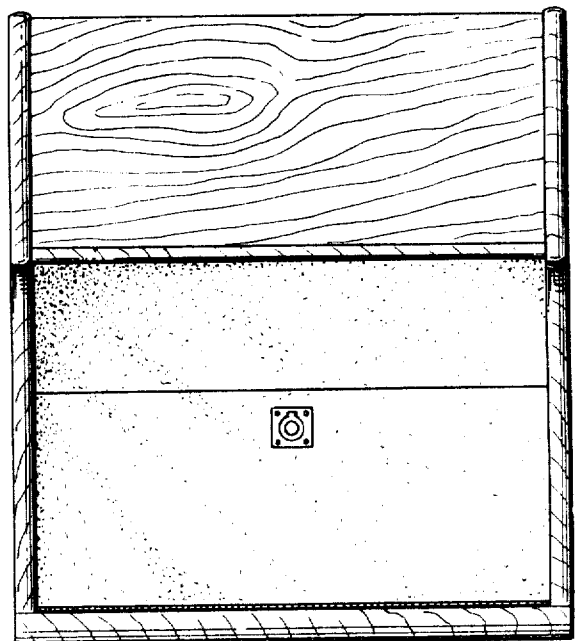


FIG. 4.