



US00D735006S

(12) **United States Design Patent**
Aoki et al.

(10) **Patent No.:** **US D735,006 S**

(45) **Date of Patent:** **** Jul. 28, 2015**

(54) **PORTABLE ELECTRIC DRIVER**

(71) Applicant: **Hitachi Koki Co., Ltd.**, Minato-ku,
Tokyo (JP)

(72) Inventors: **Yoshiki Aoki**, Hitachinaka (JP); **Masato Sakai**, Hitachinaka (JP); **Rui Akiba**, Hitachinaka (JP); **Hiroki Uchida**, Hitachinaka (JP); **Masanori Okada**, Hitachinaka (JP); **Yoshihiro Komuro**, Hitachinaka (JP)

(73) Assignee: **Hitachi Koki Co., Ltd.**, Minato-Ku,
Tokyo (JP)

(**) Term: **14 Years**

(21) Appl. No.: **29/482,727**

(22) Filed: **Feb. 21, 2014**

(30) **Foreign Application Priority Data**

Aug. 22, 2013 (JP) 2013-019208
Aug. 22, 2013 (JP) 2013-019209

(51) **LOC (10) Cl.** **08-03**

(52) **U.S. Cl.**
USPC **D8/68**

(58) **Field of Classification Search**

USPC D8/61, 67, 68; 81/57.4, 489; 173/48,
173/109, 170, 178, 217; 408/124, 125;
362/119; 475/149

CPC B62D 23/005; B62D 29/00; B62D 29/043;
B62D 31/00; B62D 33/046; B62D 35/00;
B62D 35/001; B60Q 1/0005

See application file for complete search history.

(56) **References Cited**

U.S. PATENT DOCUMENTS

6,308,378 B1 * 10/2001 Mooty et al. 16/430
D546,154 S * 7/2007 Fong et al. D8/68

D551,527 S * 9/2007 Aglassinger D8/68
7,492,125 B2 * 2/2009 Serdynski et al. 320/114
D589,317 S * 3/2009 Okuda D8/68
D593,831 S * 6/2009 Van Wambeke et al. D8/68
D609,072 S * 2/2010 Van Wambeke D8/68
D611,319 S * 3/2010 Van Wambeke et al. D8/68
8,210,273 B2 * 7/2012 Suzuki et al. 173/2
D675,500 S * 2/2013 Taniguchi et al. D8/68
D678,744 S * 3/2013 Aoki et al. D8/68
D682,650 S * 5/2013 Kawase et al. D8/68
2009/0302554 A1 * 12/2009 Thiel 279/62

OTHER PUBLICATIONS

“Hitachi Cordless Driver Drills—14.4V / 18V Cordless Driver Drills with Brushless Motors” Electronic Leaflet., Mar. 10, 2014 [online], [retrieved on Jun. 7, 2014]. Retrieved from the Internet <URL: <http://www.hitachi-koki.com/powertools/products/catalog/ds14dbel.pdf>>.*

* cited by examiner

Primary Examiner — Phillip S Hyder

Assistant Examiner — Darlington Ly

(74) *Attorney, Agent, or Firm* — Banner & Witcoff, Ltd.

(57) **CLAIM**

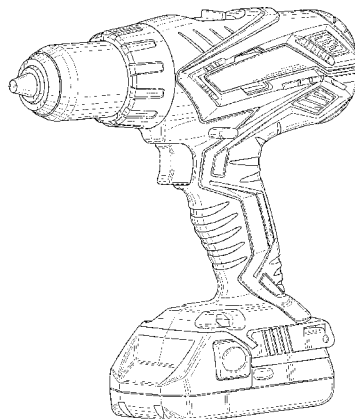
The ornamental design for portable electric driver, as shown and described.

DESCRIPTION

FIG. 1 is a front perspective view of the portable electric driver showing our new design;
FIG. 2 is a rear perspective view thereof;
FIG. 3 is a front view thereof;
FIG. 4 is a rear view thereof;
FIG. 5 is a left side view thereof;
FIG. 6 is a right side view thereof;
FIG. 7 is a top plan view thereof; and,
FIG. 8 is a bottom view thereof.

The broken lines showing in FIG. 8 is for environmental purposes only and form no part of the claimed design.

1 Claim, 6 Drawing Sheets



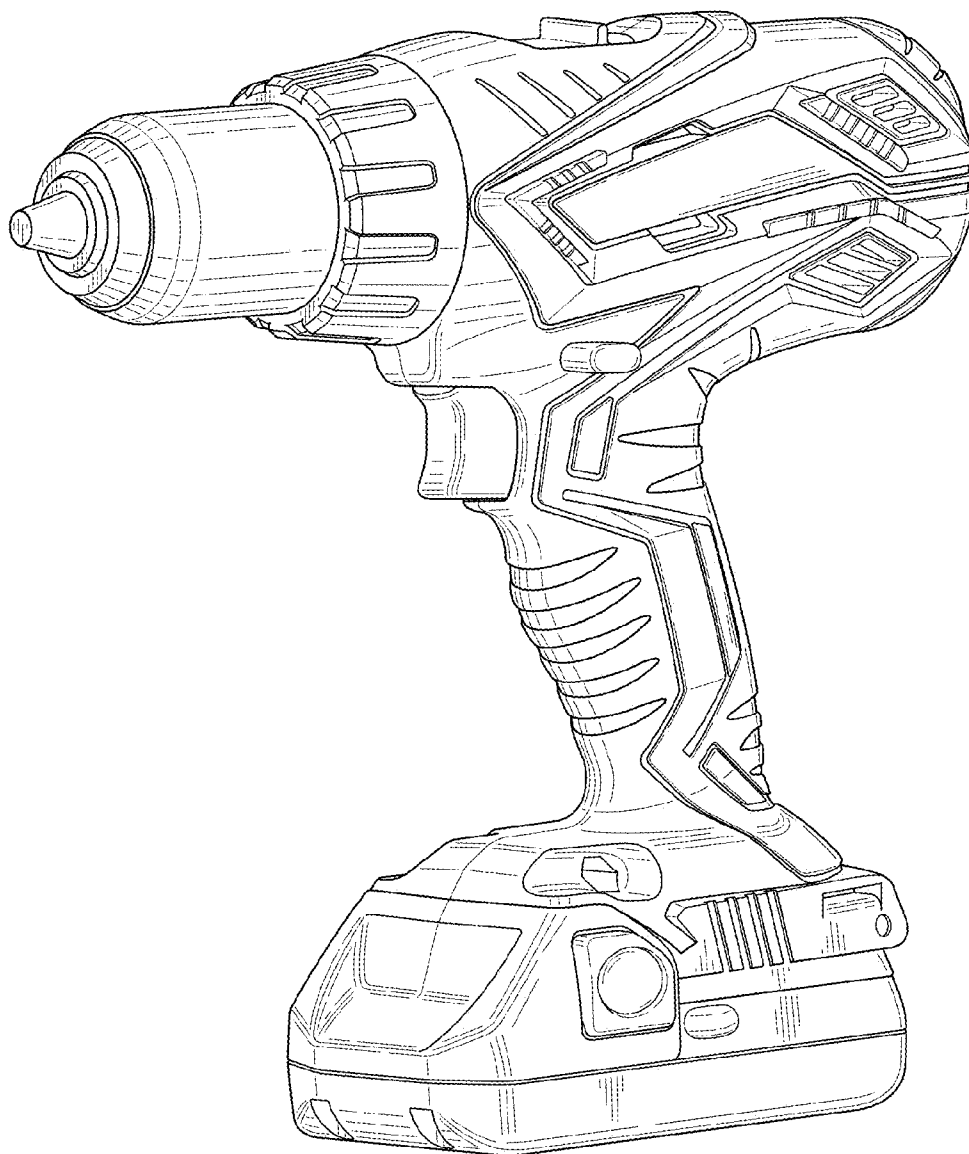


FIG. 1

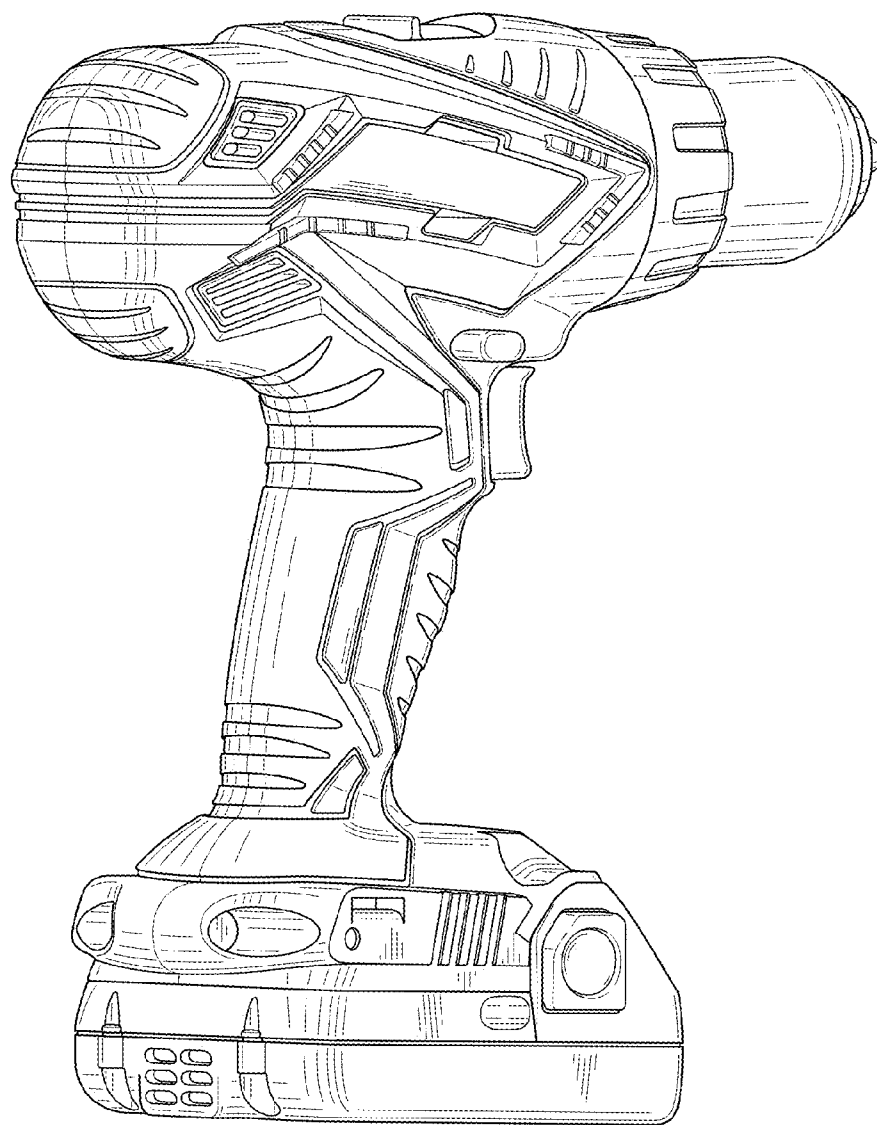


FIG. 2

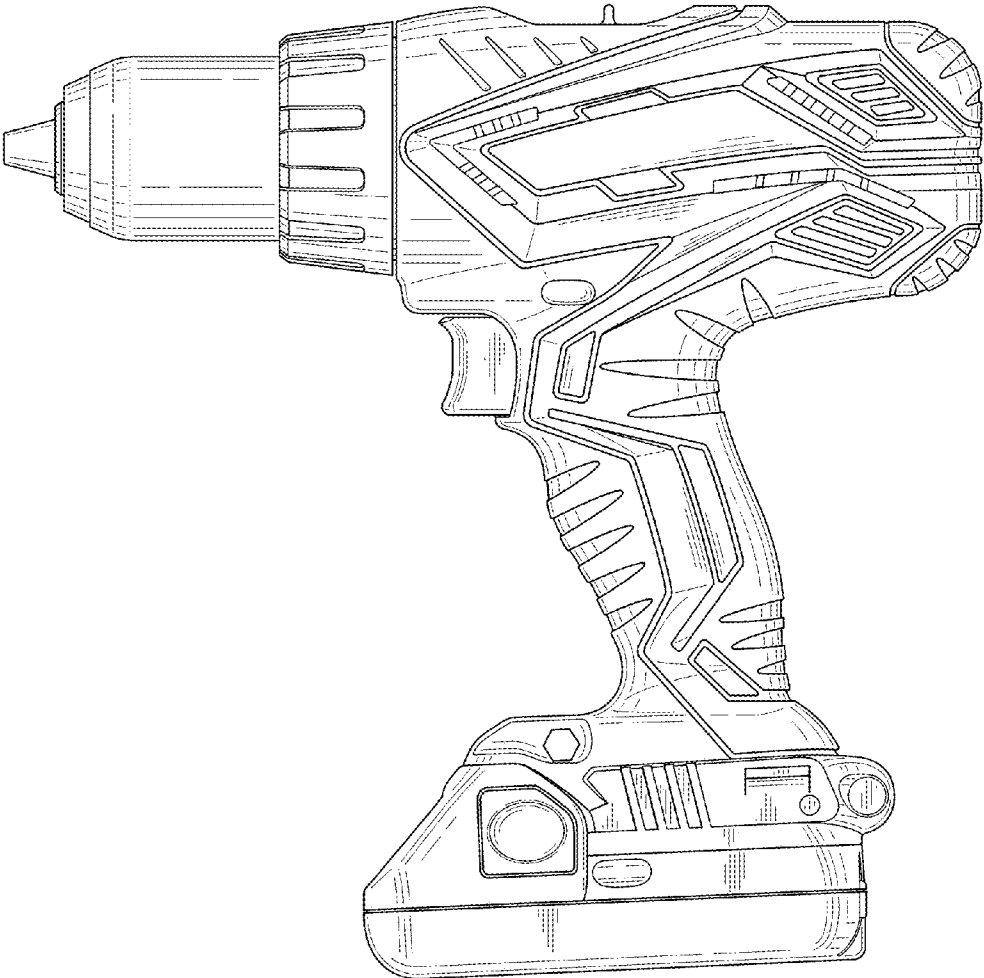


FIG. 3

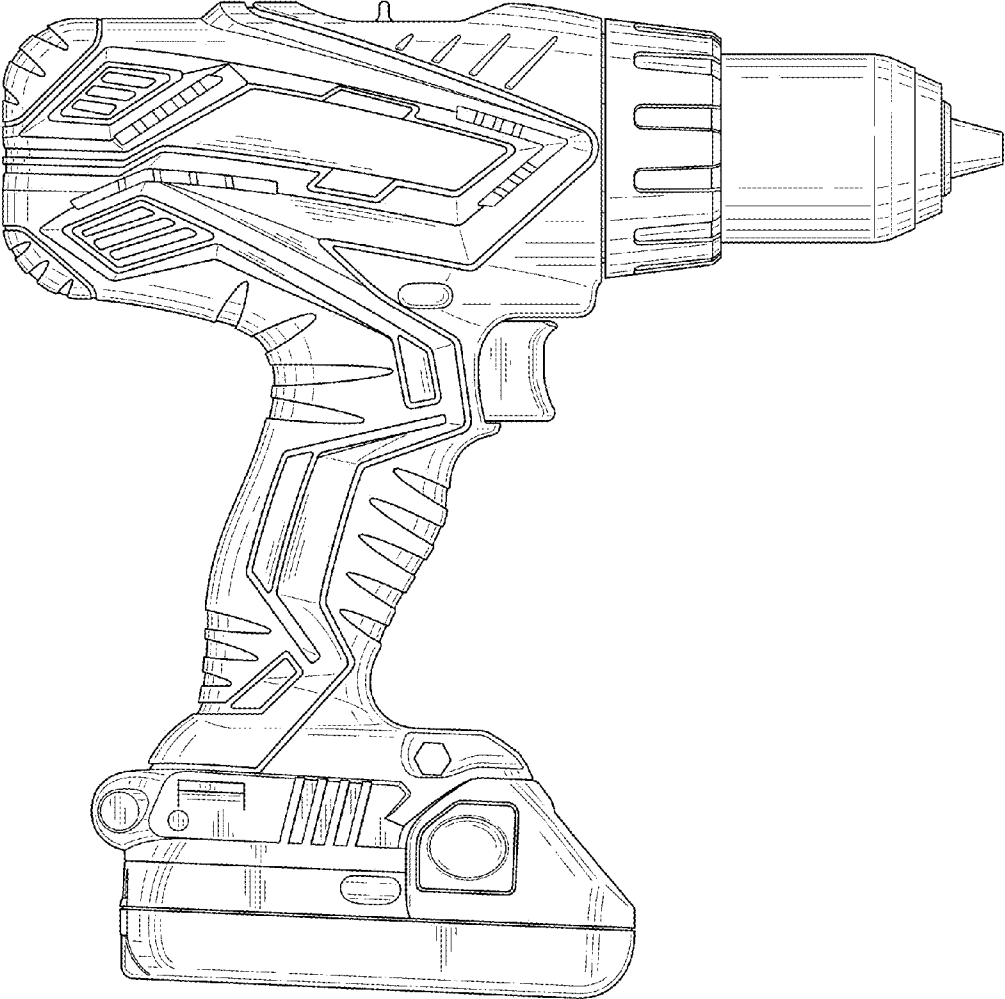


FIG. 4

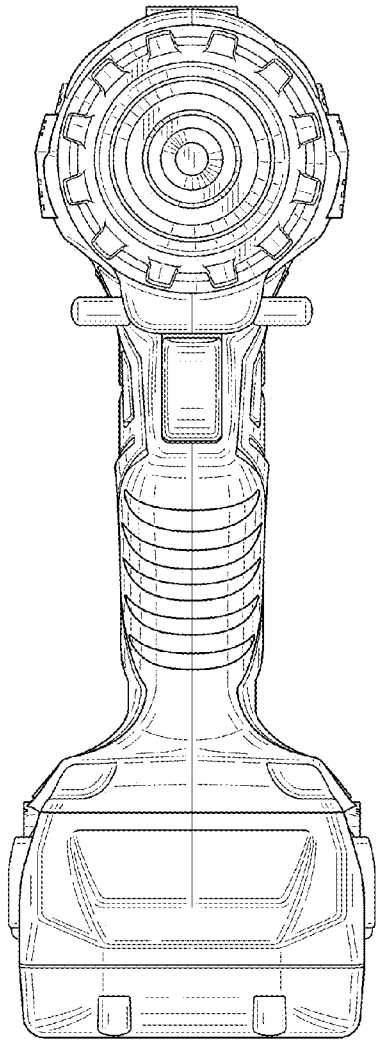


FIG. 5

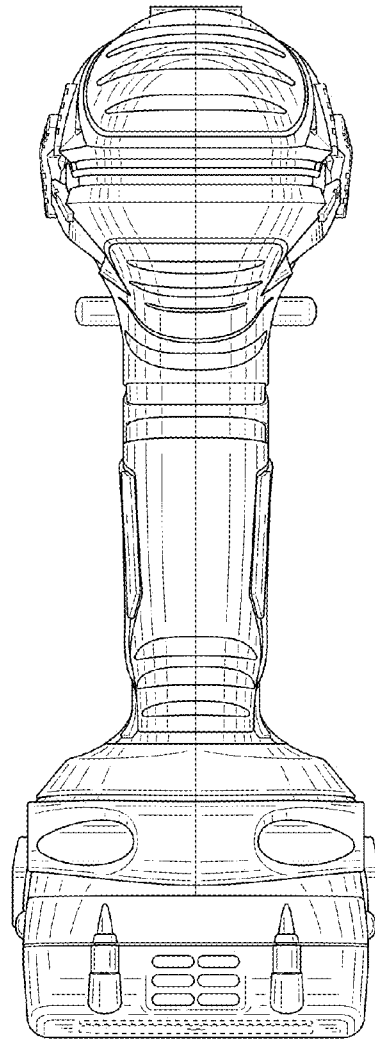


FIG. 6

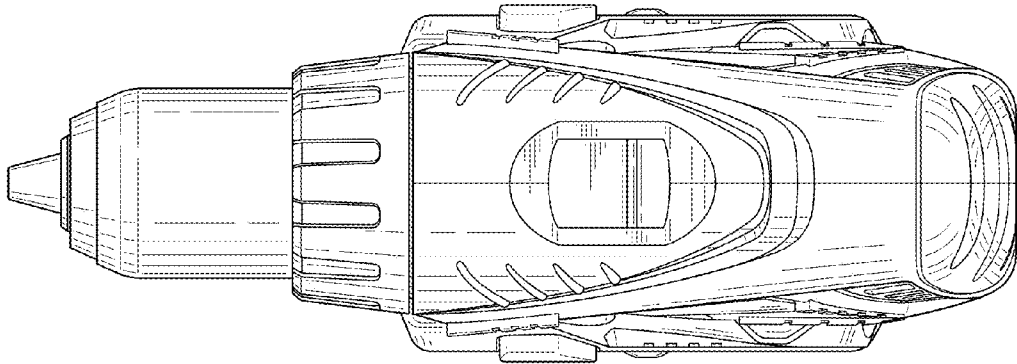


FIG. 7

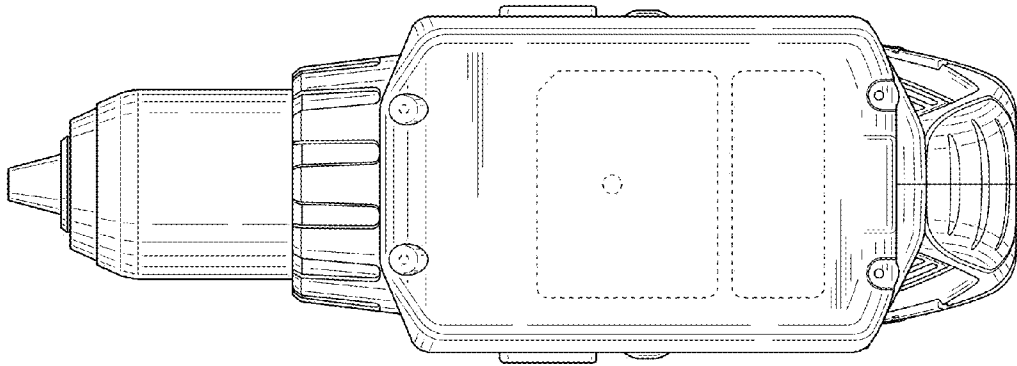


FIG. 8