



US00D854176S

(12) **United States Design Patent**
Murnaghan

(10) **Patent No.:** **US D854,176 S**

(45) **Date of Patent:** **** Jul. 16, 2019**

(54) **ACUPRESSURE MAT**
(71) Applicant: **Pearll Ltd**, Merseyside (GB)
(72) Inventor: **Shane Murnaghan**, Knocklyon (IE)
(73) Assignee: **PEARLL LTD**, St. Helens, Merseyside (GB)
(**) Term: **15 Years**
(21) Appl. No.: **29/559,387**
(22) Filed: **Mar. 28, 2016**

(30) **Foreign Application Priority Data**
Sep. 28, 2015 (EP) 002801829-0001
Sep. 28, 2015 (EP) 002801829-0002

(51) **LOC (11) CL.** **28-03**
(52) **U.S. CL.**
USPC **D24/200**

(58) **Field of Classification Search**
USPC D24/200, 211, 215, 212; D6/582-583
CPC A61H 7/001; A61H 7/002; A61H 7/00;
A61H 15/00; A61H 39/04; A61H
2015/0042; A61H 2015/005; A61H
2015/0057; A61H 2015/0064; A61H
2201/1284; A61H 2201/1695; A61H
2201/0157
See application file for complete search history.

(56) **References Cited**
U.S. PATENT DOCUMENTS
3,741,411 A * 6/1973 Peacock B65D 57/00
206/593
D294,212 S 2/1988 Sias
5,158,073 A * 10/1992 Bukowski A61H 39/04
5/944
D336,198 S * 6/1993 Gibbons D6/583

D344,137 S 2/1994 Yoo
D348,108 S * 6/1994 Kim D24/212
5,938,684 A 8/1999 Lynch
D475,792 S * 6/2003 Robbins, III D24/212
D610,696 S * 2/2010 Makuch D24/211
D713,970 S * 9/2014 Olofsson D24/200
D821,594 S 6/2018 Davidson
2005/0165450 A1* 7/2005 Perez-Torrens A61H 7/001
606/240
2006/0241538 A1* 10/2006 Chen A61H 7/001
601/134
2008/0004554 A1* 1/2008 Smith A61H 7/001
601/134
2012/0253248 A1* 10/2012 Carlson A61H 15/00
601/128
2013/0324382 A1* 12/2013 Wilson A61H 7/007
482/142
2014/0088474 A1* 3/2014 Bukharina A61H 7/001
601/134
2015/0351996 A1* 12/2015 Bukharina A61H 7/001
601/134
2018/0055722 A1* 3/2018 Murnaghan A61H 7/001

* cited by examiner
Primary Examiner — Wan Laymon
(74) *Attorney, Agent, or Firm* — Brinks Gilson & Lione;
John C. Freeman

(57) **CLAIM**
The ornamental design for an acupressure mat, as shown and described.

DESCRIPTION
FIG. 1 is an end view of an ornamental design for an acupressure mat;
FIG. 2 is a bottom view of the acupressure mat of FIG. 1;
FIG. 3 is a top view of the acupressure mat of FIG. 1; and,
FIG. 4 is an end view of the acupressure mat of FIG. 1.

1 Claim, 4 Drawing Sheets

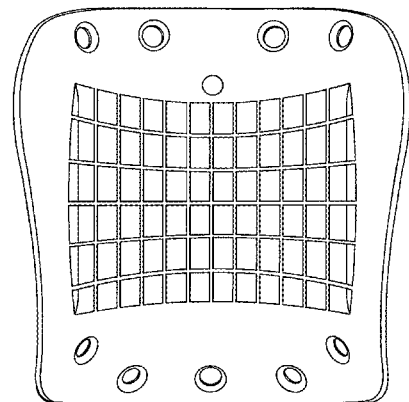
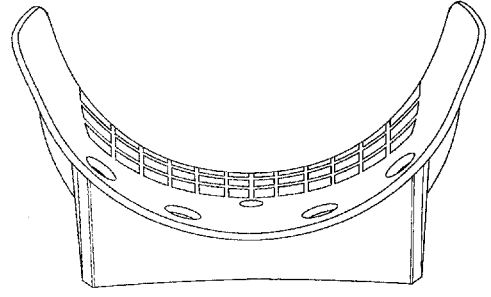


FIG. 1

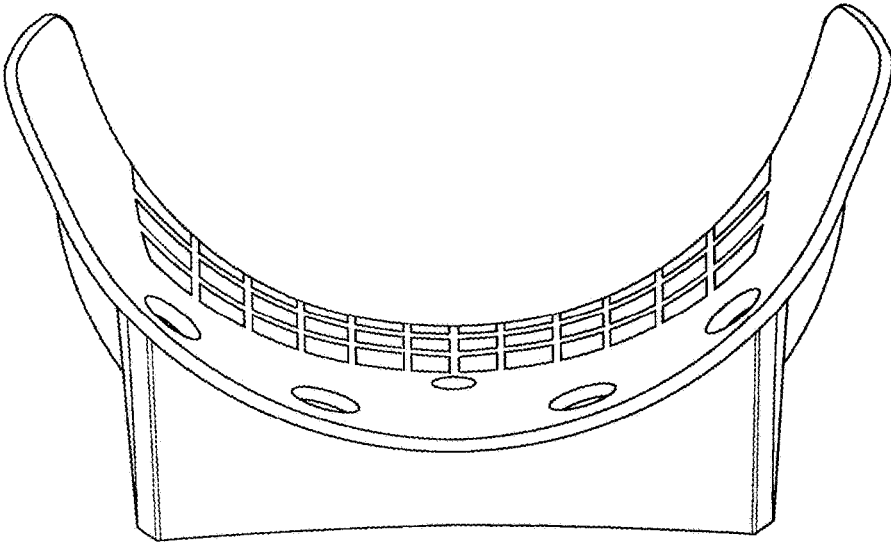


FIG. 2

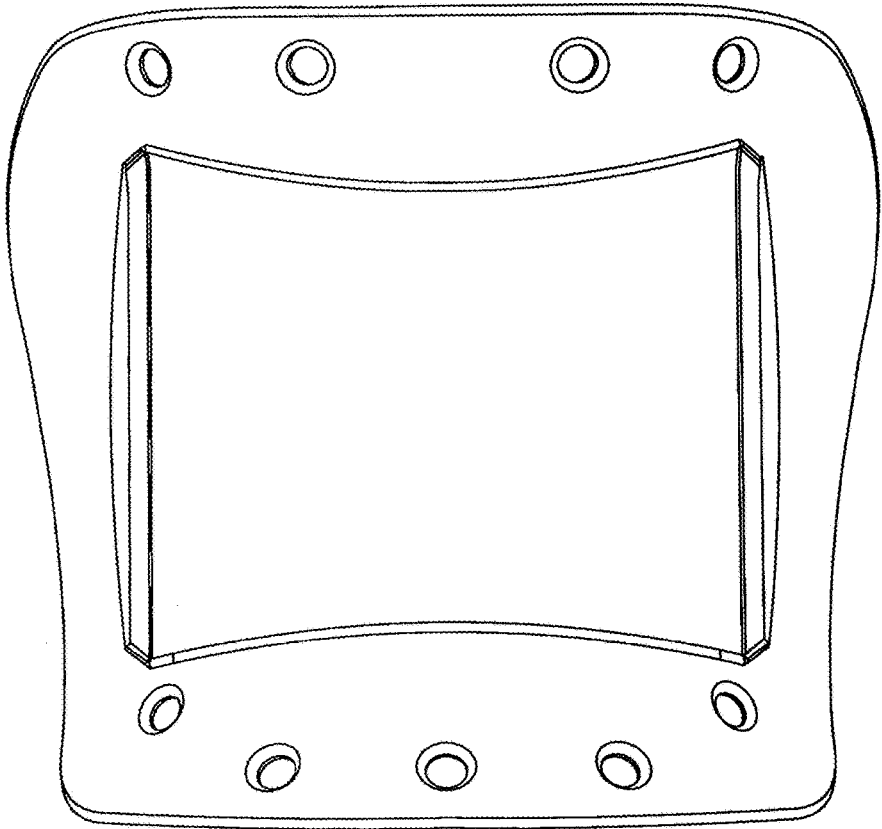


FIG. 3

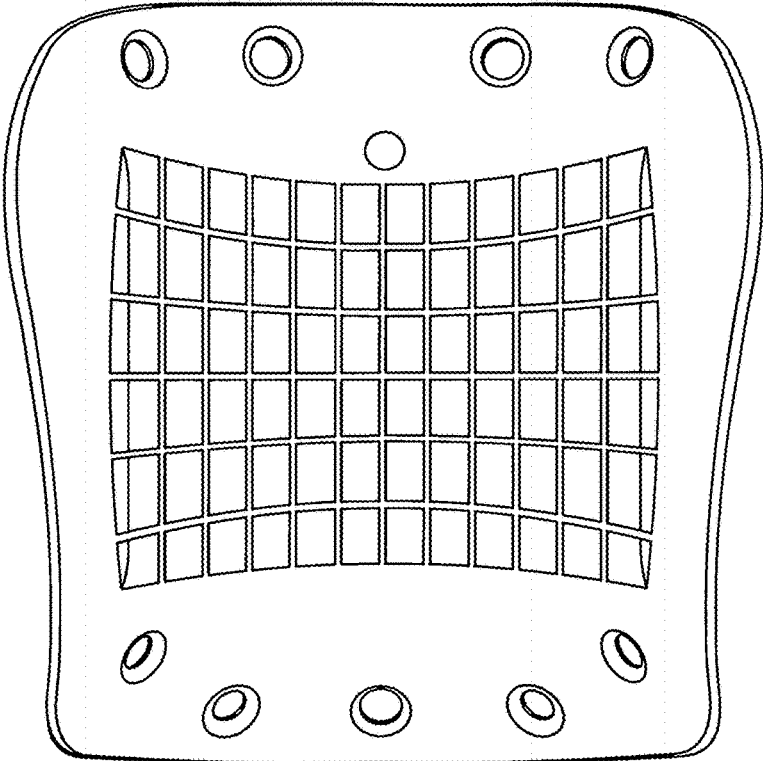


FIG. 4

