



US0D1041769S

(12) **United States Design Patent**
Thomas

(10) **Patent No.:** **US D1,041,769 S**
(45) **Date of Patent:** **** Sep. 10, 2024**

- (54) **GARDEN AQUARIUM**
- (71) Applicant: **Garden Aquarium Limited**, Swansea (GB)
- (72) Inventor: **Gareth Owen Thomas**, Swansea (GB)
- (73) Assignee: **Garden Aquarium Limited**, Swansea (GB)
- (**) Term: **15 Years**
- (21) Appl. No.: **29/835,948**
- (22) Filed: **Apr. 22, 2022**

4,844,016	A	7/1989	Filosa	
4,958,593	A	9/1990	Hurlburt et al.	
D696,470	S	12/2013	Towndrow	
D1,009,376	S *	12/2023	Thomas	D30/101
2019/0289833	A1 *	9/2019	Yu	A01K 63/003
2021/0029976	A1 *	2/2021	Yang	A01K 63/00
2022/0117204	A1 *	4/2022	Ogawa	A01K 63/003

- Related U.S. Application Data**
- (62) Division of application No. 29/728,897, filed on Mar. 23, 2020, now Pat. No. Des. 1,010,942.
- (30) **Foreign Application Priority Data**
- Jan. 6, 2020 (EP) 007480843-0001
- Jan. 6, 2020 (EP) 007480843-0002
- Jan. 6, 2020 (EP) 007480843-0003
- Jan. 6, 2020 (EP) 007480843-0004
- (51) **LOC (14) Cl.** **30-02**
- (52) **U.S. Cl.**
- USPC **D30/101**
- (58) **Field of Classification Search**
- USPC D30/101-107; D11/144-145
- CPC A01K 63/00; A01K 63/003
- See application file for complete search history.

- (56) **References Cited**
- U.S. PATENT DOCUMENTS**
- 2,792,811 A * 5/1957 Chiaro A01K 63/003
119/269
- 3,747,566 A 7/1973 Lovitz
- D237,729 S * 11/1975 Coppa D30/101

OTHER PUBLICATIONS

Clear View Garden Aquarium Lotus Square Raised Garden Pond with Windows (Light Grey). Apr. 20, 2020. Retrieved Jan. 10, 2023. Retrieved from the Internet: <<https://www.amazon.com/Clear-View-Garden-Aquarium-Windows/dp/B087C9XPPQ?th=1>>.*

* cited by examiner

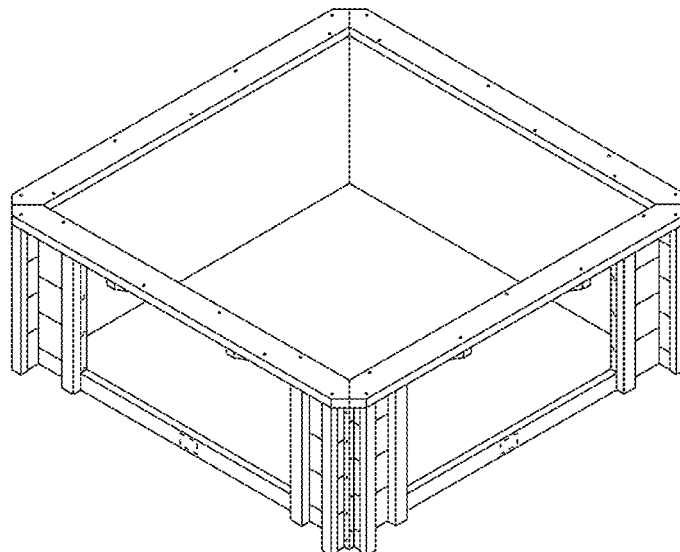
Primary Examiner — Wan Laymon
(74) *Attorney, Agent, or Firm* — Blanchard Horton PLLC

(57) **CLAIM**
I claim the ornamental design for a garden aquarium, as shown and described.

DESCRIPTION

FIG. 1 is a perspective view of a garden aquarium showing my new design;
FIG. 2 is a front elevation view of the garden aquarium of FIG. 1;
FIG. 3 is a rear elevation view of the garden aquarium of FIG. 1;
FIG. 4 is a right elevation view of the garden aquarium of FIG. 1;
FIG. 5 is a left elevation view of the garden aquarium of FIG. 1;
FIG. 6 is a bottom plan view of the garden aquarium of FIG. 1; and,
FIG. 7 is a top plan view of the garden aquarium of FIG. 1. The elements shown in broken line illustrate portions of the garden aquarium that form no part of the claimed design.

1 Claim, 5 Drawing Sheets



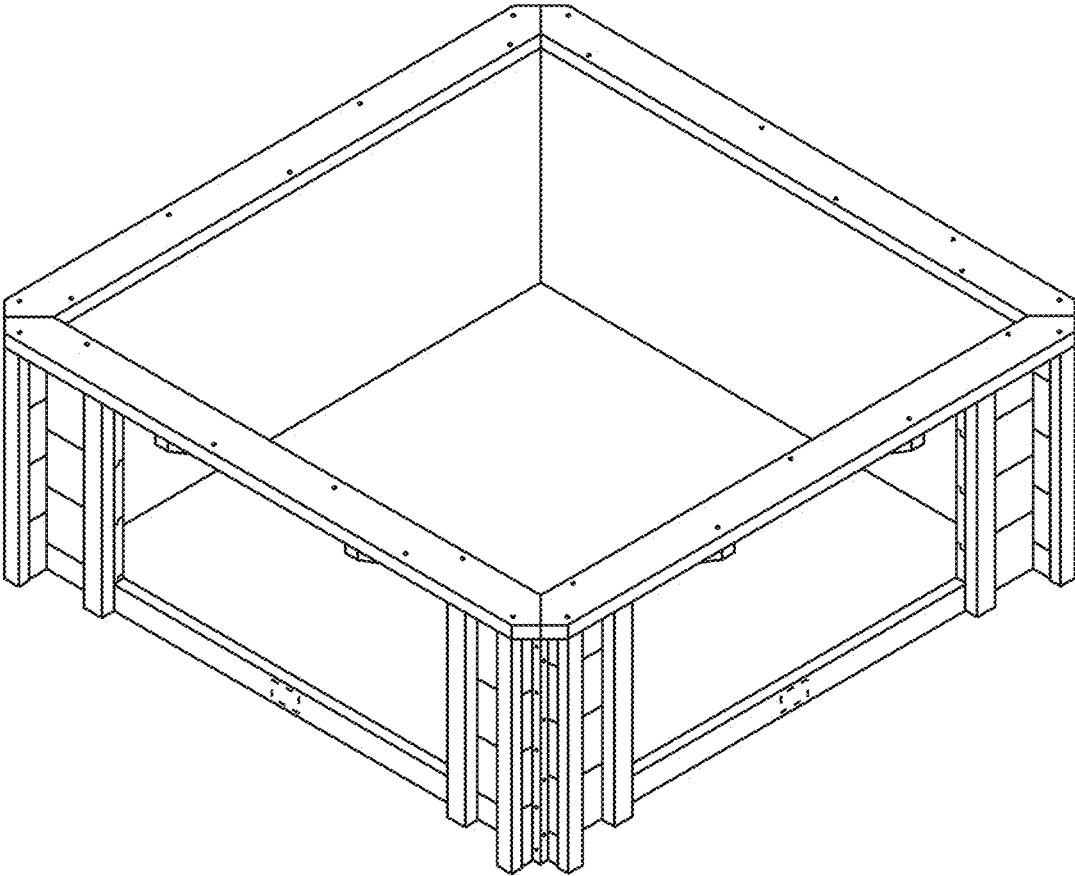


FIG. 1

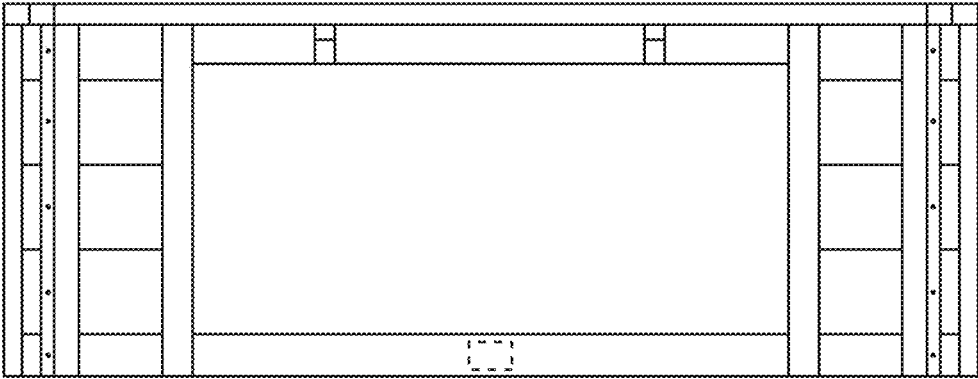


FIG. 2

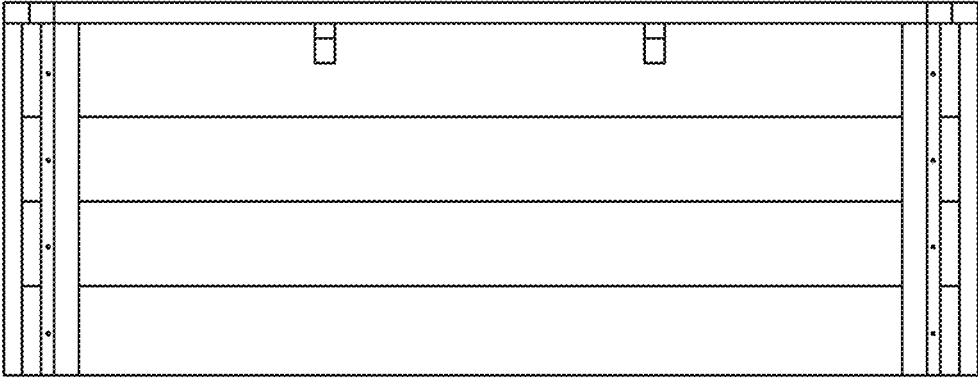


FIG. 3

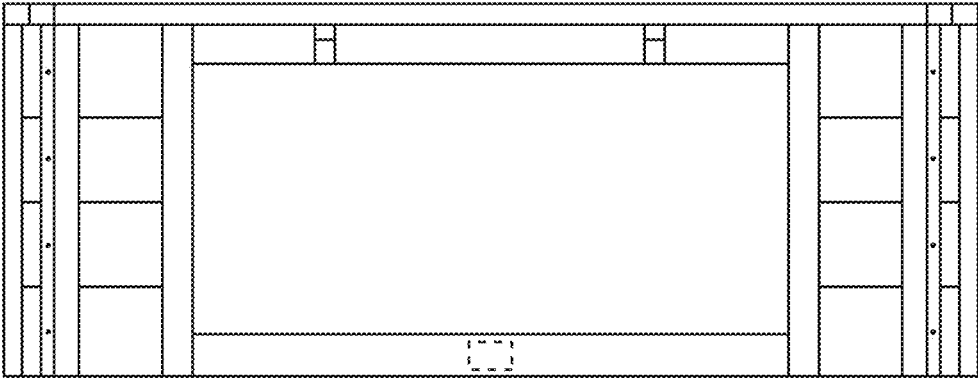


FIG. 4

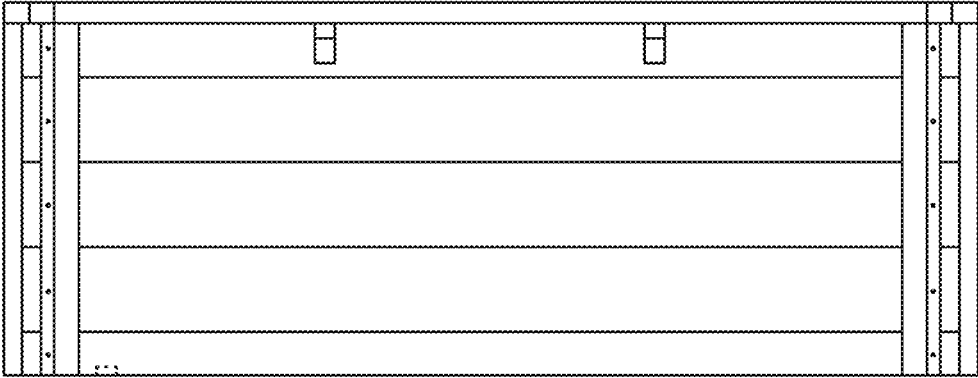


FIG. 5

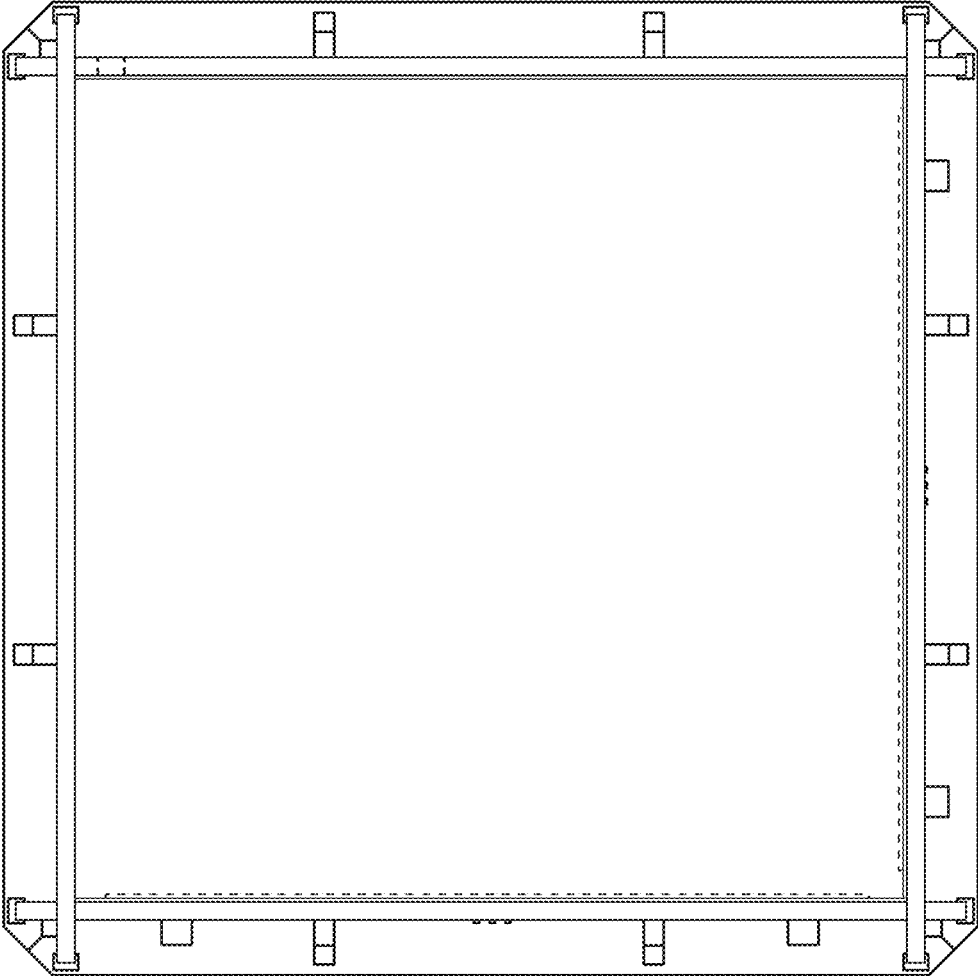


FIG. 6

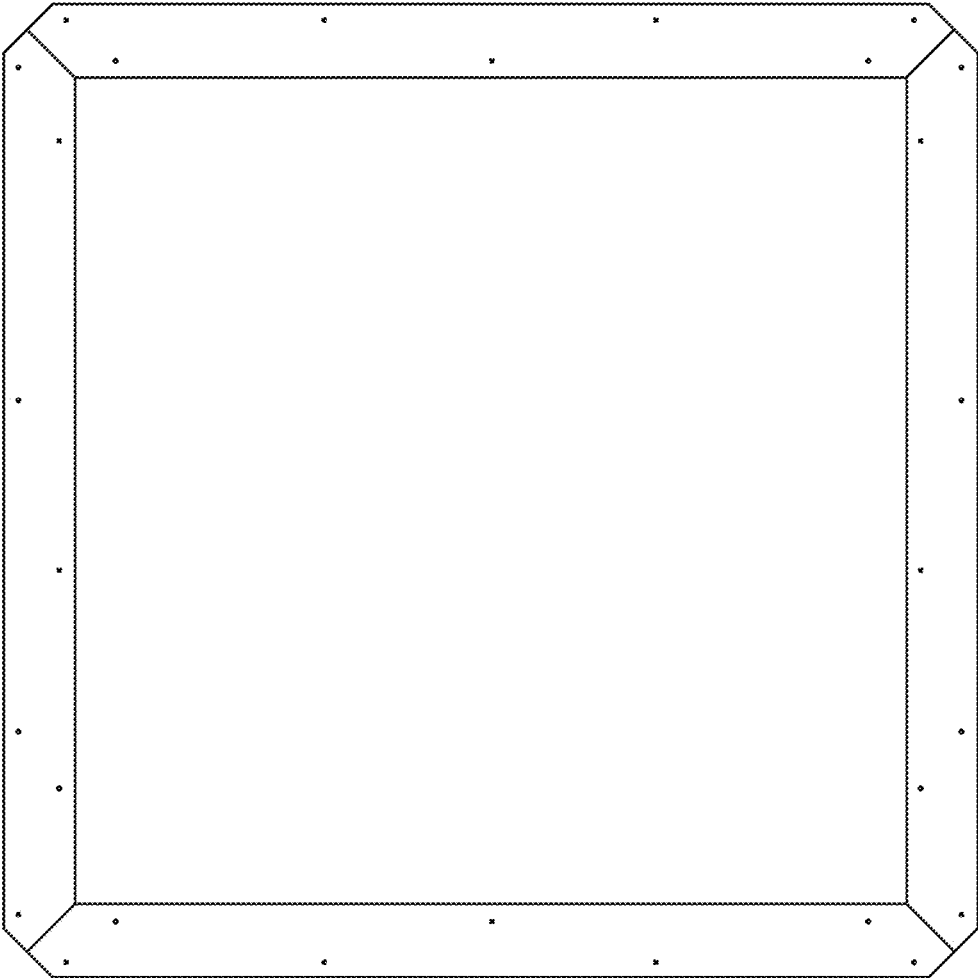


FIG. 7