



US00D826468S

(12) **United States Design Patent** (10) **Patent No.:** **US D826,468 S**
Stanley (45) **Date of Patent:** **** Aug. 21, 2018**

(54) **LIGHT FIXTURE**

- (71) Applicant: **IP Holdings, LLC**, Vancouver, WA (US)
- (72) Inventor: **John Stanley**, Vancouver, WA (US)
- (73) Assignee: **HGCI, Inc.**, Las Vegas, NV (US)
- (**) Term: **15 Years**
- (21) Appl. No.: **29/621,363**
- (22) Filed: **Oct. 6, 2017**

Related U.S. Application Data

- (63) Continuation of application No. 29/596,622, filed on Mar. 9, 2017, now Pat. No. Des. 802,830, which is a (Continued)
- (51) **LOC (11) Cl.** **29-99**
- (52) **U.S. Cl.**
USPC **D26/118**
- (58) **Field of Classification Search**
USPC ... D26/9, 10, 12, 13, 15, 16, 24, 51, 61, 72, D26/76, 80, 81, 85, 86, 88, 90, 113, 118,
(Continued)

(56) **References Cited**

U.S. PATENT DOCUMENTS

32,722 A	7/1861	Schmidlin
D46,253 S	8/1914	Kopp

(Continued)

FOREIGN PATENT DOCUMENTS

CA	2034710	8/1991
CA	1314529	3/1993

(Continued)

OTHER PUBLICATIONS

Apollo Horticulture GLRCTAC 6" Air Cool Tube Grow Light Deluxe Glass Cylinder with Hood Reflector, image post date Oct. 15, 2010, site visted Oct. 3, 2014, (online), <http://www.amazon.com/apollo-horticulture-glrcac-cylinder-reflector/dp/b003qkvv04/ref=pd_sbs_lg_5?ie=utf8&refrid=1y9v9qhh4n5vnctjmfr>.

(Continued)

Primary Examiner — Brian N. Vinson

(74) *Attorney, Agent, or Firm* — J. Douglas Wells

(57) **CLAIM**

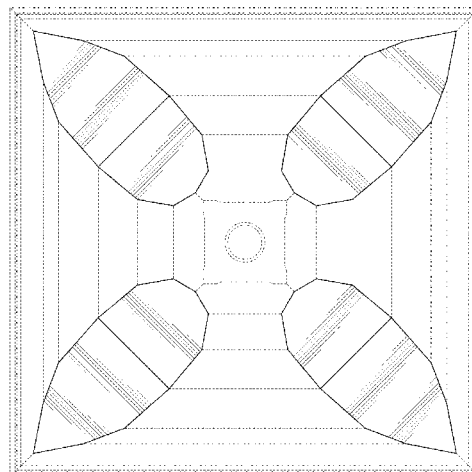
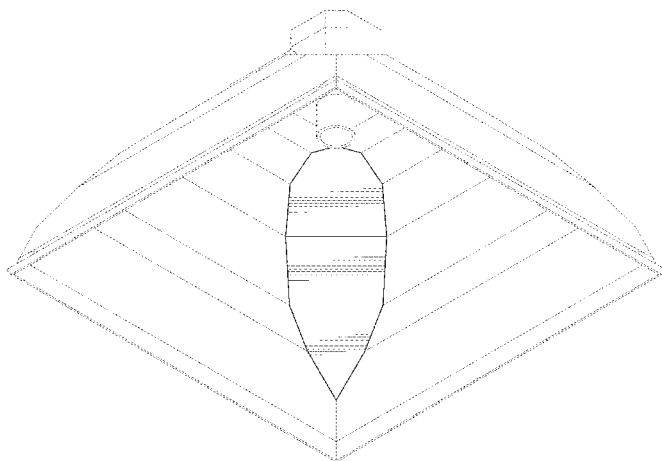
The ornamental design for a light fixture, as shown and described.

DESCRIPTION

FIG. 1 is a perspective view of a first embodiment of a light fixture, as viewed from below, showing my new design; FIG. 2 is a perspective view of the light fixture shown in FIG. 1, as viewed from above; FIG. 3 is a left side view of the light fixture shown in FIG. 1; FIG. 4 is a right side view of the light fixture shown in FIG. 1; FIG. 5 is a front elevation view of the light fixture shown in FIG. 1; FIG. 6 is a rear elevation view of the light fixture shown in FIG. 1; FIG. 7 is a top plan view of the light fixture shown in FIG. 1; and, FIG. 8 is a bottom plan view of the light fixture shown in FIG. 1.

The broken-line disclosure shown in the views is understood to represent portions of the article in which the claimed design is embodied, but which form no part of the claimed design.

1 Claim, 6 Drawing Sheets



Related U.S. Application Data

continuation of application No. 29/578,431, filed on Sep. 21, 2016, now Pat. No. Des. 786,490, which is a continuation of application No. 29/522,849, filed on Apr. 2, 2015, now Pat. No. Des. 770,079, which is a continuation of application No. 13/533,189, filed on Jun. 26, 2012, now Pat. No. 9,335,038.

(58) Field of Classification Search

USPC D26/119, 120, 122, 128, 129, 138, 143, D26/144
 CPC B60Q 1/04; B60Q 1/26; F21S 8/026; F21S 8/04; F21L 19/00; F23D 11/443; F21Y 2101/02; F21V 21/02; F21V 29/004; F21V 21/04; F21V 29/2212; F21V 7/22; F21V 29/83; F21V 37/002; F21V 7/00; A61L 9/037

See application file for complete search history.

(56)

References Cited

U.S. PATENT DOCUMENTS

1,410,945	A	3/1922	Walker Mayfield	D268,287	S	3/1983	Boschetti
1,547,026	A	7/1925	Canney	D270,577	S	9/1983	DeVos
1,798,567	A	3/1931	Wagenhorst	4,446,506	A	5/1984	Larson
D85,049	S	9/1931	Kopp	4,531,180	A	7/1985	Hernandez
D85,382	S	10/1931	Guth	4,616,293	A	10/1986	Baliozian
1,848,734	A	3/1932	Luce	4,669,033	A	5/1987	Lee
1,873,310	A	8/1932	Doane	D290,662	S	7/1987	Basil
1,930,070	A	10/1933	Zecher	D300,877	S	4/1989	Cyr
1,987,705	A	1/1935	Pedersen	4,855,884	A	8/1989	Richardson
D106,614	S	10/1937	Waterbury	4,893,221	A	1/1990	Friedman
2,194,841	A	3/1940	Welch	4,933,821	A	6/1990	Anderson
D119,800	S	4/1940	Carter	4,939,629	A	7/1990	Glanton
D123,768	S	12/1940	Scribner	D311,597	S	10/1990	Poot
D125,559	S	3/1941	Biller	4,970,428	A	11/1990	Hayakawa
2,242,590	A	5/1941	Marcel	4,980,809	A	12/1990	Baldwin
D128,049	S	7/1941	Kurtz	D316,301	S	4/1991	Michael
D135,375	S	3/1943	Biller	5,006,752	A	4/1991	Eggink
2,339,100	A	1/1944	Netting	5,065,294	A	11/1991	Poot
2,348,617	A	5/1944	Furedy	5,072,349	A	12/1991	Waniga
D156,014	S	11/1949	Lazerson	D323,897	S	2/1992	Compton
2,492,946	A	1/1950	Barber	5,088,015	A	2/1992	Baggio
D174,221	S	3/1955	Hatch	D329,104	S	9/1992	Dieperink
2,740,883	A	4/1956	Kruger	D330,438	S	10/1992	Herst
2,741,694	A	4/1956	Wiig	5,192,129	A	3/1993	Figueroa
2,998,511	A	8/1961	Chan	5,199,784	A	4/1993	Hempleman
3,025,391	A	3/1962	Golko	5,253,152	A	10/1993	Yang
D193,802	S	10/1962	Thomsen	D349,358	S	4/1994	Herst
D195,012	S	4/1963	Hoyle	5,353,746	A	10/1994	Del Rosario
3,125,301	A	3/1964	Stotter	D352,126	S	11/1994	Ruud
3,263,071	A	7/1966	Fabbri	5,440,470	A	8/1995	Ly
3,272,978	A	9/1966	Jackson	D457,450	S	10/1995	Deese
3,322,946	A	5/1967	Cooper	5,461,554	A	10/1995	Leonetti
3,420,995	A	1/1969	Dunckel	D365,159	S	12/1995	Tinen
D213,391	S	2/1969	Bruno	5,486,737	A	1/1996	Hrubowchak
3,433,941	A	3/1969	Hall	5,510,676	A	4/1996	Cottaar
3,675,008	A	7/1972	Hill	D373,000	S	8/1996	Brady
3,684,883	A	8/1972	Entwistle	5,555,162	A	9/1996	Shemitz
3,701,898	A	10/1972	McNamara, Jr.	D374,301	S	10/1996	Kleffman
3,755,667	A	8/1973	Price	D376,437	S	10/1996	Karlo
3,829,677	A	8/1974	DeLlano	5,568,680	A	10/1996	Parker
3,902,059	A	8/1975	McNamara, Jr.	5,570,947	A	11/1996	Felland
3,911,265	A	10/1975	Landrum	D377,993	S	2/1997	Herst
4,028,542	A	6/1977	McReynolds, Jr.	5,621,267	A	4/1997	Shaffner
D245,016	S	7/1977	Barr	D383,243	S	9/1997	Fry
4,037,096	A	7/1977	Brengord	5,698,947	A	12/1997	Choi
4,078,169	A	3/1978	Armstrong	5,702,179	A	12/1997	Sidwell
4,175,360	A	11/1979	Mulvey	D391,632	S	3/1998	Thomas
4,229,782	A	10/1980	Ruud	D396,319	S	7/1998	Sutton
D259,738	S	6/1981	Boschetti	D397,481	S	8/1998	Schafer
4,308,473	A	12/1981	McNamara, Jr.	D399,328	S	10/1998	Compton
D262,659	S	1/1982	Lalita	D399,329	S	10/1998	Compton
D266,578	S	10/1982	Moshier	D399,587	S	10/1998	Compton
				D400,289	S	10/1998	Wardenburg
				D440,289	S	10/1998	Wardenburg
				5,816,694	A	10/1998	Ideker
				D401,006	S	11/1998	Edwards
				D405,976	S	2/1999	Beall
				5,896,004	A	4/1999	Feldman
				5,924,789	A	7/1999	Thornton
				5,932,955	A	8/1999	Berger
				5,938,317	A	8/1999	Thornton
				D415,304	S	10/1999	Brown
				5,983,564	A	11/1999	Stragnola
				5,987,697	A	11/1999	Song
				5,999,943	A	12/1999	Nori
				D418,626	S	1/2000	Herst
				D419,248	S	1/2000	Lyons
				6,024,468	A	2/2000	Kassay
				6,042,250	A	3/2000	Stragnola
				6,051,927	A	4/2000	Graser
				6,053,624	A	4/2000	Cronk
				D425,237	S	5/2000	Scott
				D425,652	S	5/2000	Brok
				D426,010	S	5/2000	Compton
				6,061,690	A	5/2000	Nori
				6,065,849	A	5/2000	Chen
				6,070,173	A	5/2000	Huber
				6,076,944	A	6/2000	Maranon
				6,079,851	A	6/2000	Altman

(56)

References Cited

U.S. PATENT DOCUMENTS

D428,516	S	*	7/2000	Reo	D26/118	7,360,927	B2	4/2008	Oka	
6,094,919	A		8/2000	Bhatia			D569,024	S	5/2008	Redfern	
6,111,739	A		8/2000	Wu			D572,858	S	7/2008	Santoro	
6,152,579	A		11/2000	Reed			7,445,363	B2	11/2008	Vanden Eynden	
D439,008	S		3/2001	Kim			7,524,090	B2	4/2009	Hargreaves	
6,210,025	B1		4/2001	Schmidt			7,534,011	B2	5/2009	Townsley	
6,230,497	B1		5/2001	Morris			D595,894	S	7/2009	Verfuert	
D443,198	S		6/2001	Snyder			D602,625	S	10/2009	Santoro	
D443,949	S		6/2001	Dimonte			D603,087	S	10/2009	Mo	
6,247,830	B1		6/2001	Winnett			7,617,057	B2	11/2009	May	
D445,943	S		7/2001	Littman			D605,342	S	12/2009	Chung	
6,257,735	B1		7/2001	Baar			D608,490	S	1/2010	Chung	
6,267,483	B1		7/2001	Hembery			7,641,367	B2	1/2010	Hargreaves	
D447,272	S	*	8/2001	Smith	D26/118	7,654,702	B1	2/2010	Ding	
6,279,012	B1		8/2001	Sexton			D611,183	S	3/2010	Duarte	
6,299,327	B1		10/2001	Camarota			D613,900	S	4/2010	Hargreaves	
D452,559	S		12/2001	Schonberger			D614,801	S	* 4/2010	Collins D26/118
6,343,984	B1		2/2002	Langdon			7,722,228	B2	5/2010	Broer	
6,371,630	B1		4/2002	Unger			D617,028	S	6/2010	Verfuert	
D456,927	S		5/2002	Russello			D620,190	S	7/2010	Chung	
D456,928	S		5/2002	Russello			D621,993	S	8/2010	Jong	
D456,938	S	*	5/2002	Wardenburg	D26/118	7,771,086	B2	8/2010	Goverde	
D459,825	S		7/2002	Field			D628,335	S	11/2010	Hyland	
6,488,387	B2		12/2002	Wardenburg			7,854,534	B2	12/2010	Liu	
D469,564	S		1/2003	Brok			D632,419	S	2/2011	Ng	
6,527,422	B1		3/2003	Hutchison			D633,247	S	2/2011	Kong	
6,548,948	B1		4/2003	Muessli			D633,640	S	3/2011	Wauters	
6,595,662	B2		7/2003	Wardenburg			D634,060	S	* 3/2011	Wardenburg D26/118
6,601,972	B2		8/2003	Sei			D634,240	S	3/2011	Junkeer	
6,658,652	B1		12/2003	Alexander			D634,468	S	3/2011	Hargreaves	
6,679,619	B2		1/2004	Saieva			D634,469	S	* 3/2011	Hargreaves D26/118
D486,593	S		2/2004	Griffin			D637,162	S	5/2011	Bridgman	
6,688,759	B1		2/2004	Hadjimichael			D637,341	S	5/2011	Wardenburg	
6,709,131	B1		3/2004	Herst			D637,752	S	5/2011	Mekhtarian	
6,729,383	B1		5/2004	Cannell			D640,404	S	6/2011	Chipperfield	
6,783,263	B1		8/2004	Cronk			7,959,331	B2	6/2011	Ho	
D496,121	S		9/2004	Santoro			D641,100	S	7/2011	Li	
D499,504	S		12/2004	Meyer			7,972,044	B2	7/2011	Burkhauser	
D499,505	S		12/2004	Benensohn			D644,185	S	8/2011	Hargreaves	
D504,343	S		4/2005	Ek			7,987,632	B2	8/2011	May	
6,885,134	B2		4/2005	Kurashima			8,018,630	B2	9/2011	Herloski	
6,908,212	B2		6/2005	Schultz			8,038,318	B2	10/2011	Plunk	
7,011,424	B1		3/2006	Poulson			D648,652	S	11/2011	Hawkins	
7,083,309	B2		8/2006	Chan			D649,685	S	11/2011	Trzesniowski	
7,101,060	B2		9/2006	Oppenheimer			D650,515	S	12/2011	Bradley	
7,131,753	B1		11/2006	Edwards, Jr.			D650,935	S	12/2011	Beghelli	
7,156,539	B2		1/2007	Cronk			D653,376	S	1/2012	Kong	
7,175,309	B2		2/2007	Craw			8,113,696	B2	2/2012	Striebel	
D542,460	S		5/2007	Hargreaves			D655,403	S	3/2012	Zakula	
D543,652	S	*	5/2007	Hargreaves	D26/118	D657,748	S	4/2012	Hargreaves	
D543,654	S		5/2007	Hargreaves			D660,252	S	5/2012	Hargreaves	
D543,655	S		5/2007	Hargreaves			D661,370	S	6/2012	Imajo	
D544,982	S		5/2007	Hargreaves			D661,833	S	6/2012	Imajo	
7,213,948	B2		5/2007	Hein			8,209,912	B2	7/2012	Hargreaves	
D544,136	S		6/2007	Hargreaves			8,215,799	B2	7/2012	Vanden Eynden	
D544,138	S		6/2007	Hargreaves			D667,584	S	9/2012	Beghelli	
D544,139	S		6/2007	Hargreaves			D668,370	S	10/2012	Guercio	
D544,626	S		6/2007	Hargreaves			D671,259	S	11/2012	Chen	
D544,980	S		6/2007	Hargreaves			D672,908	S	12/2012	Wilcox	
D544,981	S		6/2007	Hargreaves			D672,911	S	12/2012	Mayfield, III	
D544,983	S		6/2007	Hargreaves			D673,324	S	12/2012	Mayfield	
D544,984	S		6/2007	Hargreaves			8,334,640	B2	12/2012	Reed	
D544,985	S		6/2007	Hargreaves			D675,369	S	* 1/2013	Michaud D26/118
D544,987	S		6/2007	Hargreaves			8,348,481	B2	1/2013	Chang	
D544,994	S		6/2007	Hargreaves			D675,772	S	2/2013	Tran	
D544,995	S	*	6/2007	Hargreaves	D26/118	8,371,726	B2	2/2013	Collins	
D545,460	S		6/2007	Mason, II			D678,597	S	3/2013	Lehman	
D545,484	S	*	6/2007	Hargreaves	D26/118	D678,599	S	3/2013	Boyer	
D545,485	S	*	6/2007	Hargreaves	D26/118	D679,848	S	4/2013	Pickard	
D545,990	S		7/2007	Hargreaves			D683,064	S	5/2013	Tuck	
D545,994	S		7/2007	Hargreaves			D745,993	S	7/2013	Reynolds	
D545,996	S		7/2007	Hargreaves			8,505,224	B2	8/2013	Huang	
D549,869	S		8/2007	Ward			D689,238	S	9/2013	Halsey	
D553,781	S		10/2007	Pickard			D689,986	S	9/2013	Lord	
7,296,914	B1		11/2007	Russello			D690,875	S	10/2013	McKenzie	
							D693,959	S	* 11/2013	Boyer D26/118
							D697,663	S	1/2014	Speier	
							D698,074	S	1/2014	Hargreaves	
							D698,075	S	1/2014	Klus	

(56)

References Cited

U.S. PATENT DOCUMENTS

D698,986 S *	2/2014	Reynolds	D26/118	D751,247 S *	3/2016	Reynolds	D26/118
D698,987 S	2/2014	Stanley		9,279,553 B1	3/2016	Scribante	
D699,386 S	2/2014	Park		D753,654 S	4/2016	Eastwood	
D702,827 S	4/2014	Mase		9,310,037 B2	4/2016	Cercone	
8,702,283 B2	4/2014	Bradley, Jr.		D756,016 S	5/2016	Hargreaves	
D705,474 S	5/2014	Philips		D756,023 S	5/2016	Hoffer	
D705,974 S	5/2014	Blessitt		D756,026 S	5/2016	Reynolds	
8,723,086 B2	5/2014	McMahan		D757,323 S	5/2016	Reynolds	
D707,385 S	6/2014	Wardenburg		D757,326 S	5/2016	Reynolds	
D708,390 S	7/2014	Roos		D757,346 S	5/2016	Stanley	
D710,528 S	8/2014	Wardenburg		9,335,038 B2	5/2016	Stanley	
8,801,235 B2	8/2014	Yurich		9,366,947 B2	6/2016	Miyata	
D713,953 S	9/2014	Jepson		D762,320 S	7/2016	Reynolds	
D714,988 S	10/2014	Park		D765,306 S	8/2016	Wardenburg	
D715,994 S	10/2014	Klus		D766,756 S	9/2016	Franc	
D716,995 S	11/2014	Zhu		9,451,743 B2	9/2016	Koerner	
D717,487 S	11/2014	Guzzini		D769,513 S	10/2016	Reynolds	
D717,636 S	11/2014	Stanley		D769,514 S	10/2016	Reynolds	
D720,488 S	12/2014	Toyohisa		D770,079 S	10/2016	Stanley	
D720,505 S	12/2014	Kersten		D770,082 S	10/2016	Reynolds	
8,905,575 B2 *	12/2014	Durkee	F21V 7/0008 362/218	D770,670 S	11/2016	Reynolds	
D720,876 S	1/2015	Havertield		D770,671 S	11/2016	Reynolds	
D721,844 S	1/2015	Lay		D771,301 S	11/2016	Stanley	
D722,654 S	2/2015	Martone		D771,304 S	11/2016	Goltche	
D725,820 S	3/2015	Hargreaves		D773,107 S	11/2016	Stanley	
8,967,821 B2	3/2015	Pickard		D774,234 S	12/2016	Plourde	
D726,359 S	4/2015	Grigore		D775,406 S	12/2016	Hargreaves	
8,998,473 B1	4/2015	Anderson		D775,760 S	1/2017	Reynolds	
9,016,892 B1	4/2015	Scribante		9,551,482 B2	1/2017	Seward	
9,016,907 B2	4/2015	Stanley		D780,985 S	3/2017	Stanley	
D728,848 S	5/2015	Reyes		D780,986 S	3/2017	Reynolds	
D729,435 S	5/2015	Arndt		D781,492 S	3/2017	Reynolds	
D730,556 S	5/2015	Toyohisa		D783,887 S	4/2017	Stanley	
D725,819 S	6/2015	Reynolds		D783,888 S	4/2017	Reynolds	
D731,103 S	6/2015	Wilke		D786,477 S	5/2017	Lauderdale	
D731,109 S	6/2015	Wardenburg		D786,488 S	5/2017	Reynolds	
D731,701 S *	6/2015	Hargreaves	D26/118	D786,489 S	5/2017	Stanley	
D732,233 S	6/2015	Reynolds		D786,490 S	5/2017	Stanley	
D732,234 S	6/2015	Rashidi Doust		D786,491 S	5/2017	Reynolds	
D732,235 S *	6/2015	Reynolds	D26/118	D792,635 S	7/2017	Reynolds	
D732,236 S *	6/2015	Reynolds	D26/118	D793,616 S	8/2017	Reynolds	
D733,347 S	6/2015	Dungan		D796,727 S	9/2017	Reynolds	
9,052,075 B2	6/2015	Demuynck		D796,728 S	9/2017	Reynolds	
D733,952 S	7/2015	Lay		D797,350 S	9/2017	Reynolds	
D733,960 S	7/2015	Howe		D797,353 S	9/2017	Stanley	
D734,534 S	7/2015	Howe		9,750,199 B2	9/2017	Stanley	
D735,391 S	7/2015	Blessitt		9,752,766 B2	9/2017	Stanley	
D735,401 S	7/2015	Clements		D802,826 S	11/2017	Stanley	
D736,450 S *	8/2015	Reynolds	D26/118	D802,828 S	11/2017	Stanley	
D737,498 S	8/2015	Stanley		D802,829 S	11/2017	Stanley	
9,110,209 B2	8/2015	Blessitt		D802,830 S	11/2017	Stanley	
D738,031 S	9/2015	Martins		2002/0073285 A1	6/2002	Butterworth	
D739,595 S	9/2015	Reynolds		2002/0141195 A1	10/2002	Wardenburg	
9,127,826 B2	9/2015	Boyer		2003/0031011 A1	2/2003	Miller	
D740,486 S *	10/2015	Stanley	D26/118	2003/0191783 A1	10/2003	Wolczko	
D740,996 S	10/2015	Tragatschnig		2004/0240214 A1	12/2004	Whitlow	
D747,029 S *	1/2016	Reynolds	D26/118	2005/0117333 A1	6/2005	Yoshida	
D747,538 S	1/2016	Reynolds		2005/0160481 A1	7/2005	Todd	
D747,825 S	1/2016	Reynolds		2005/0233691 A1	10/2005	Horton	
D747,849 S	1/2016	Reynolds		2006/0231081 A1	10/2006	Kirakosyan	
D747,923 S	1/2016	Cornu		2006/0232984 A1	10/2006	Schuknecht	
D748,319 S	1/2016	Johnson		2006/0282457 A1	12/2006	Williams	
D748,320 S	1/2016	Johnson		2007/0051321 A1	3/2007	Chang	
D748,847 S	1/2016	Johnson		2007/0070633 A1	3/2007	Eynden	
D748,850 S	1/2016	Johnson		2007/0228993 A1	10/2007	Stuer	
D748,849 S *	2/2016	Stanley	D26/118	2007/0246631 A1	10/2007	Brown	
D749,773 S	2/2016	Waible		2007/0282806 A1	12/2007	Hoffman	
D750,312 S	2/2016	Reynolds		2008/0059799 A1	3/2008	Scarлата	
D750,313 S	2/2016	Reynolds		2008/0117617 A1	5/2008	Hargreaves	
D750,316 S *	2/2016	Reynolds	D26/118	2008/0130304 A1	6/2008	Rash	
9,255,690 B2	2/2016	Dimitriadis		2008/0205030 A1	8/2008	Hargreaves	
D750,831 S	3/2016	Clements		2008/0205071 A1	8/2008	Townsley	
D751,244 S *	3/2016	Reynolds	D26/118	2008/0212326 A1	9/2008	Chon	
D751,245 S	3/2016	Stanley		2008/0178957 A1	11/2008	Pickard	
				2008/0278950 A1	11/2008	Pickard	
				2009/0166250 A1	5/2009	Hargreaves	
				2009/0231840 A1	9/2009	Boehme	
				2009/0262540 A1	10/2009	Hargreaves	
				2009/0276478 A1	11/2009	Soman	

(56)

References Cited

U.S. PATENT DOCUMENTS

2009/0310373	A1	12/2009	Burkhauser
2009/0316404	A1	12/2009	Mo
2009/0323335	A1	12/2009	Yang
2010/0214789	A1	8/2010	Hawkes
2010/0238661	A1	9/2010	Pfund
2010/0277908	A1	11/2010	Hu
2010/0277929	A1	11/2010	Hargreaves
2010/0295468	A1	11/2010	Pedersen
2010/0302768	A1	12/2010	Collins
2011/0169412	A1	7/2011	Yurich
2011/0203096	A1	8/2011	Hargreaves
2011/0259665	A1	10/2011	Morgan
2012/0051041	A1	3/2012	Edmond
2012/0092859	A1	4/2012	Gregoris
2012/0145699	A1	6/2012	McMahan
2012/0212883	A1	8/2012	Hargreaves
2012/0230035	A1	9/2012	Bradley, Jr.
2012/0302768	A1	11/2012	Janka et al.
2013/0083539	A1	1/2013	Dimitriadis
2013/0077329	A1	3/2013	Hessling
2013/0155685	A1	6/2013	Stanley
2013/0242573	A1	9/2013	Petrsoiki
2013/0250567	A1	9/2013	Edmond
2014/0378283	A1	12/2014	Qiu
2015/0023022	A1	1/2015	Stanley
2015/0098215	A1	4/2015	Torabifard
2015/0252992	A1	9/2015	Stanley
2015/0252993	A1	9/2015	Stanley
2015/0252994	A1	9/2015	Stanley
2015/0260381	A1	9/2015	Verfuert
2017/0211801	A1	7/2017	Stanley

FOREIGN PATENT DOCUMENTS

EP	0325003	7/1989
EP	0440274	8/1991
WO	2002063210	8/2002
WO	2003060379	7/2003
WO	2008018000	2/2008
WO	2009096775	8/2009
WO	2011119451	9/2011

OTHER PUBLICATIONS

Apollo Horticulture GLRLS24 6" Air Cooled Hydroponic Grow Light Glass Reflector Hood, image post date Oct. 15, 2010, site visited Oct. 3, 2014, (online), <http://www.amazon.com/apollo-horticulture-GLRLS24-hydroponic-reflector/dp/B00BMVK8HG/ref=cm_cd_ql_qh_dp_i>.

Adjustable Reflector, image post date Apr. 23, 2012, site visited Sep. 23, 2015, http://web.archive.org/web/2012043260757/http://hydroponics-products.en.alibaba.com/product/519225678-213056444/adjustable_reflector_grow_light_hydroponics_greenhouse_horticulture_reflector_hood.html.

Agrotech Magnum Reflector, image post date Feb. 5, 2012, site visited Oct. 31, 2014, www.hydroponics.net/136580.

Cree CR22, image post date Apr. 28, 2011, site visited Nov. 15, 2014, <http://ledsmagazine.com/content/dam/leds/migrated/objects/news/8/4/19/cree204272011.jpg>.

ZR series High Efficacy Troffer, image post date Apr. 13, 2012, site visited Oct. 31, 2014, www.cree.com/lighting/products.

Grow Grow Lights Home Depot: Find many types of grow lights for your plant, published Dec. 22, 2012, online. Site visited Jun. 25, 2014. <http://besthomedecor.com/gardening-decor/grow-lights-home-depot-few-things-to-consider-when-buying-grow-lighting-plants-online.html>.

LED Grow Light Comparison Test Review, Youtube.com, published Jun. 29, 2012, online. Site visited Jun. 25, 2014. www.youtube.com/watch?v=f-8oyQbgrs.

Illuminator Pro-Series Hybrid 350W, wordpress.com, published Dec. 22, 2010, online, site visited Jun. 25, 2014. <http://growsetup.wordpress.com/category/grow-lights/>.

California Lightworks New SolarStorm 440W LED Grow Light with UVB, hydrobuilder.com, online. Site visited Jun. 25, 2014. http://hydrobuilder.com/solarstorm-440w-led-grow-light-with-uvb.html?dzid=strands_CLW-SS-440.

2013 Sunlight Supply Cataog, Issuu.com, published Aug. 1, 2013, online. Site visited Feb. 2, 2015. http://issuu.com/sunlightsupply/docs/2013_sunlightproductcatalog/49.

Pages 29 and 54 from 2014-2015 dealer catalog showing and describing Super Sun DE reflector published by Sunlight Supply, Inc. 2014.

Dominator XXXL Non AC Reflector pack of 3 Spec Sheet, GreenTreesHydroponics.com, date available Mar. 12, 2014, online. Site visited Feb. 3, 2015, <https://www.hydroponics.net/i/141477>.

Low Rider Air-Cooled Reflector—TinEye, image post date Oct. 11, 2012, site visited Oct. 1, 2015, www.tineye.com/search/1b0e187c5ed9e4e9cfb55d0472271385a2c0e88/?pluginver.

OG Air Cooled Parabolic Reflector Only—Make the Most of Your Grow Light, GroWell Hydroponics, <http://www.growell.co.uk/og-air-cooled-parabolic-reflector-only.html>, pp. 1-2, accessed Aug. 26, 2014.

Air Resistance: Distinguishing Between Laminar and Turbulent Flow, www.docstoc.com, Dec. 29, 2010, p. 1-6.

Sun Systems LEC 630 Light Emitting Ceramic Fixture, Spec Sheet for 906217—Sun System LEC 630 120 Volt w/ 3100 K Lamps, www.sunlightsupply.com/shop/bycategory/led-lighting/sun-system-lec-630-light-emitting-ceramic-fixture, online, updated Feb. 9, 2015. Site visited Mar. 30, 2015, p. 1.

Mohri, Mineko, International Preliminary Report on Patentability for PCT/US2014/014959, Jan. 19, 2016.

A3V Reflector, Titaness Light Shop, www.titanesslightshop.com/products-page/reflectors/a3v-reflector, online. Site visited Jan. 14, 2015.

G2V Grow Light Reflector, Titaness Light Shop, www.titanesslightshop.com/products-page/reflectors/g2v-grow-light-reflector, online. Site visited Jan. 14, 2015.

1000 Watt Galaxy Grow Amp Double Ended Grow Light Packages, image post date Jan. 30, 2014, site visited Jul. 8, 2016, <<http://www.chydroponics.com/100-watt-galaxy-grow-amp-double-ended-grow-light-package.html>>.

2009-10-watt-light-set—TinEye, image post date May 23, 2012, site visited Jul. 8, 2016, <<https://www.tineye.com/search/2de39cf51f7a031139a80ce555e2f30d0abd5216/>>.

Square 10 Watt LED Grow Light, image post date Aug. 1, 2011, site visited Jul. 8, 2016, <<http://www.dhgate.com/store/product/hydroponic-vegetable-10-watt-led-grow-light/216755031.html>>.

Sun System 630 Ceramic Metal Halide 120v Specifications, GrowersHouse.com, update on Sep. 9, 2014, Online. Site visited Feb. 3, 2015. <http://growershouse.com/aitdownloadablefiles/download/aitfile/aitfile_id/583/>.

Growlite HDE 600W-1000W Double Ended Lamp Concealed Vacuum Airflow Technology, Indoor Grow Science, site visited Aug. 3, 2016, <<http://www.indoorgrowscience.net/downloads/specs/hde.pdf>>.

Sun Systems LEC 315—Reviews?, rollitup.com forum, published Oct. 23, 2013, online. Visited Nov. 8, 2016. <<http://rollitup.org/t/sun-systems-lec-315-reviews.742794>>.

Sun System LEC 315 120v Light Emitting Ceramic Metal Halide Fixture w/ Free Ratchet Light Hangers, Amazon.com, earliest review of Jul. 2, 2014, online. Visited Nov. 8, 2016. <<https://www.amazon.com/sun-system-emitting-ceramic-fixture/dp/B00HBCV8TM>>.

LEC 315 Watt Grow Light Great Yield Reports!, YouTube.com, published Mar. 31, 2014, online. Visited Nov. 8, 2016. (<https://www.youtube.com/watch?v=QqcoW19KnUk>>).

Air Cooled Grow Lights, greensteamhydroponics.com, published May 24, 2014, online. Site visited Nov. 16, 2016. <http://web.archive.org/web/20140524103407/http://www.greenstreamhydroponics.com/aircooled-reflector-range-from-greenstream-hydroponics/prod_699.html>.

(56)

References Cited

OTHER PUBLICATIONS

AplusChoice-Hydroponics, image post date Dec. 2, 2014, site visited Jul. 13, 2017, (online), <https://www.fineye.com/search/6589596c8738268de70accceca20d64855d0f1d2/?sort=crawal_date&order=asc>.

Power 600 wat HPS MH Grow Light Digital Dimm System Indoor Garden Set, image post date 2013, site visited Jul. 13, 2017, (online), <https://bidjapon.com/item_View.aspx?itemId=150928769289>.

* cited by examiner

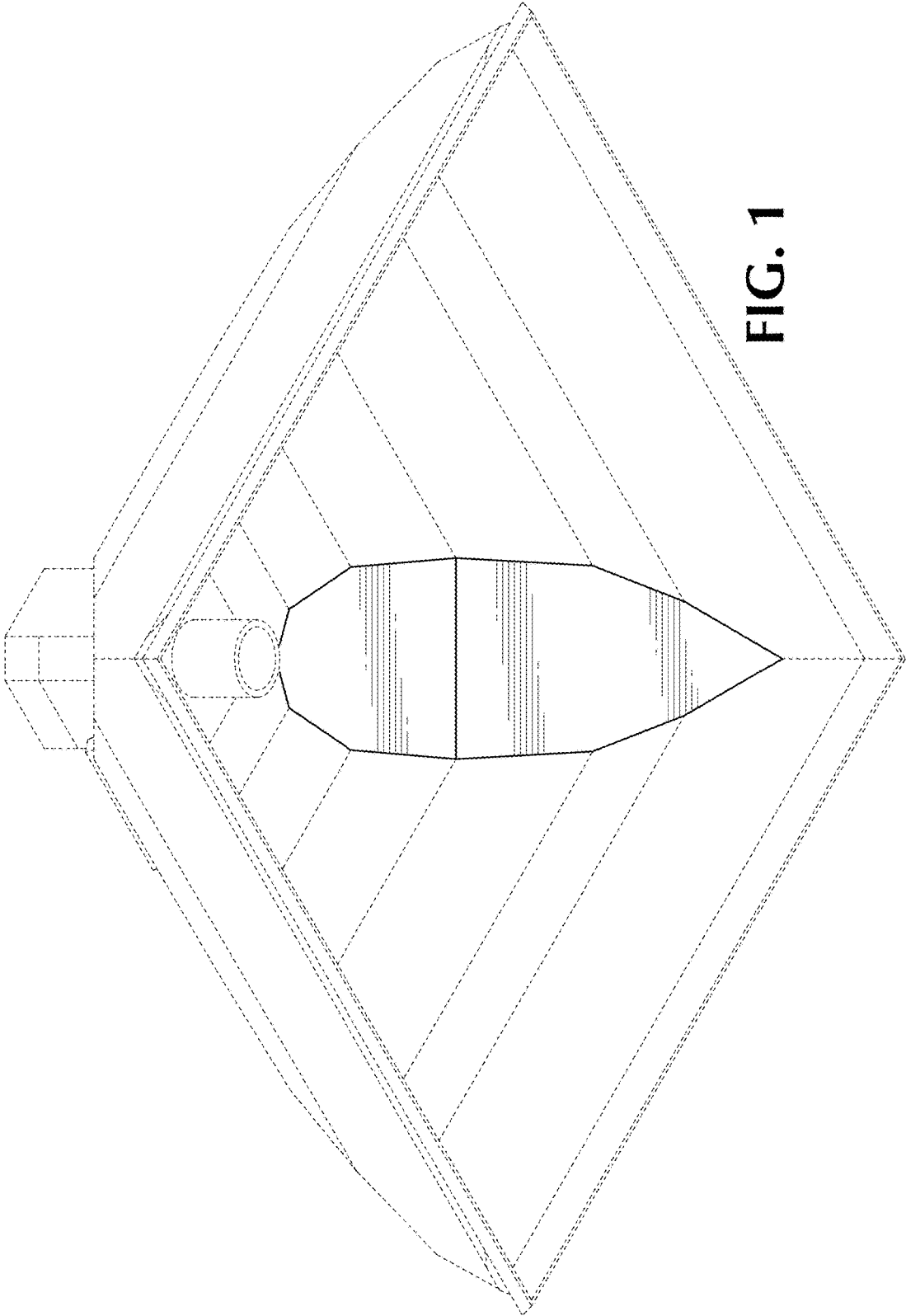


FIG. 1

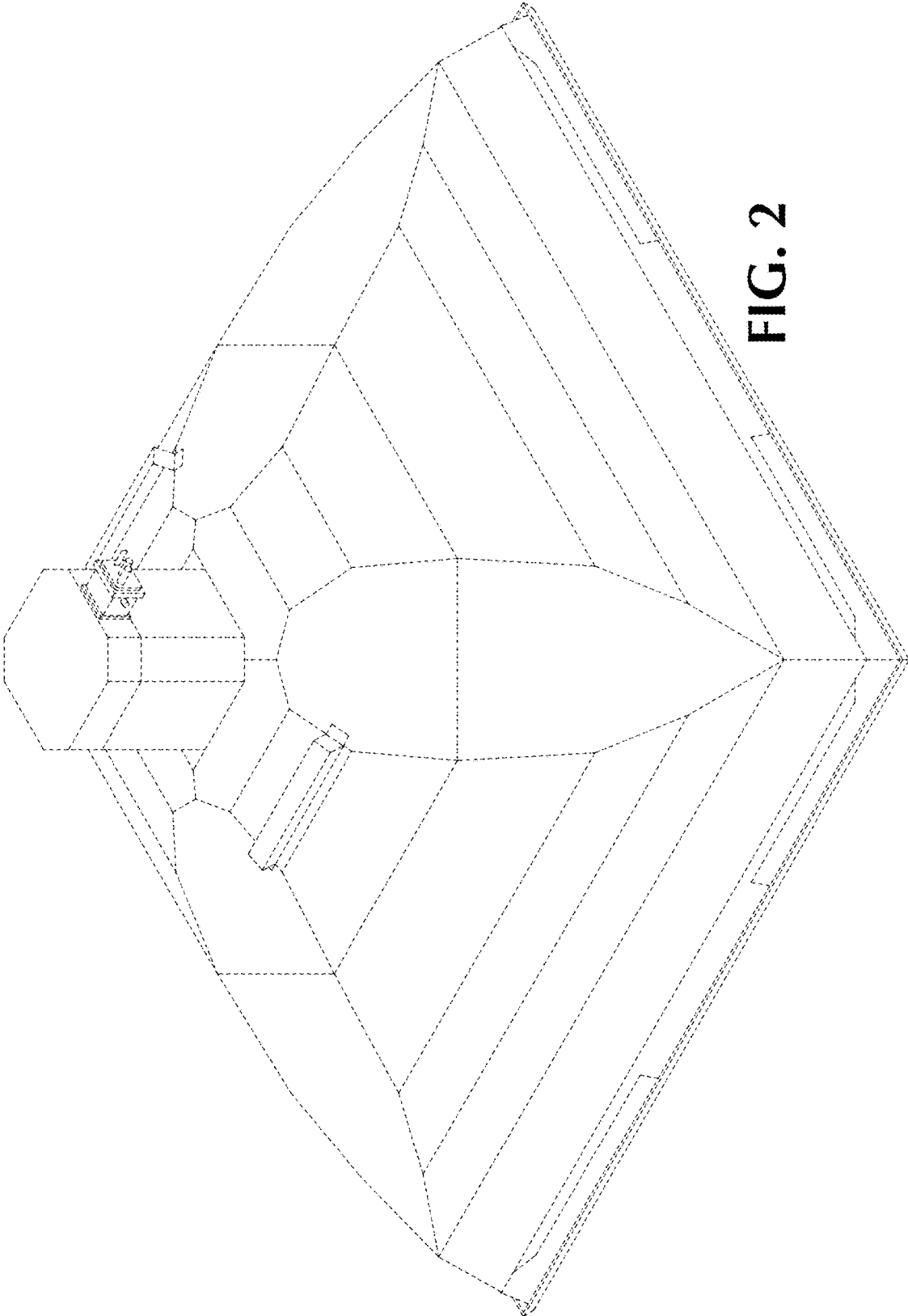


FIG. 2

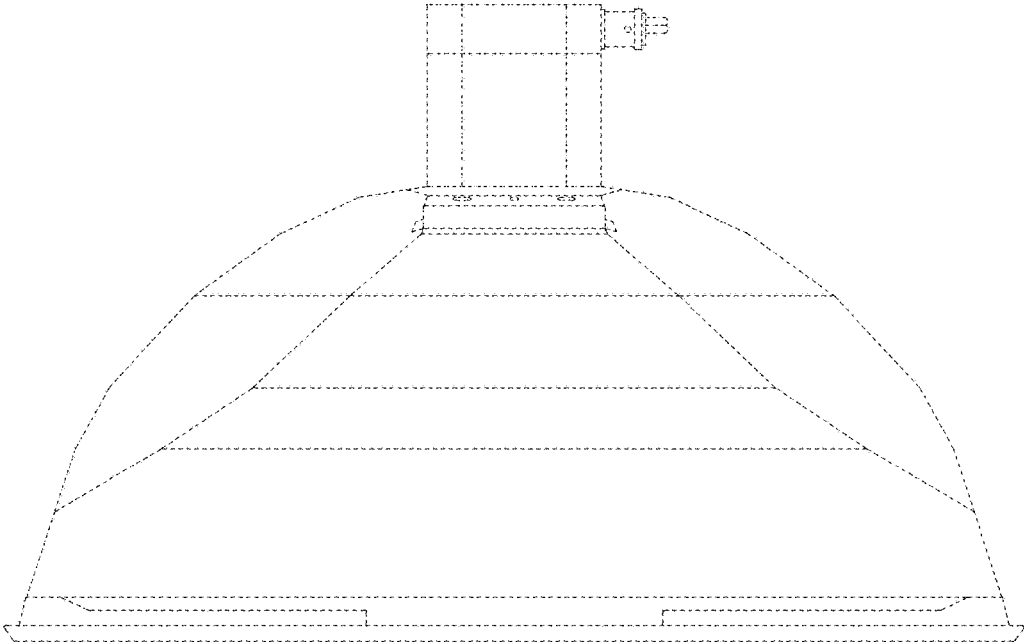


FIG. 3

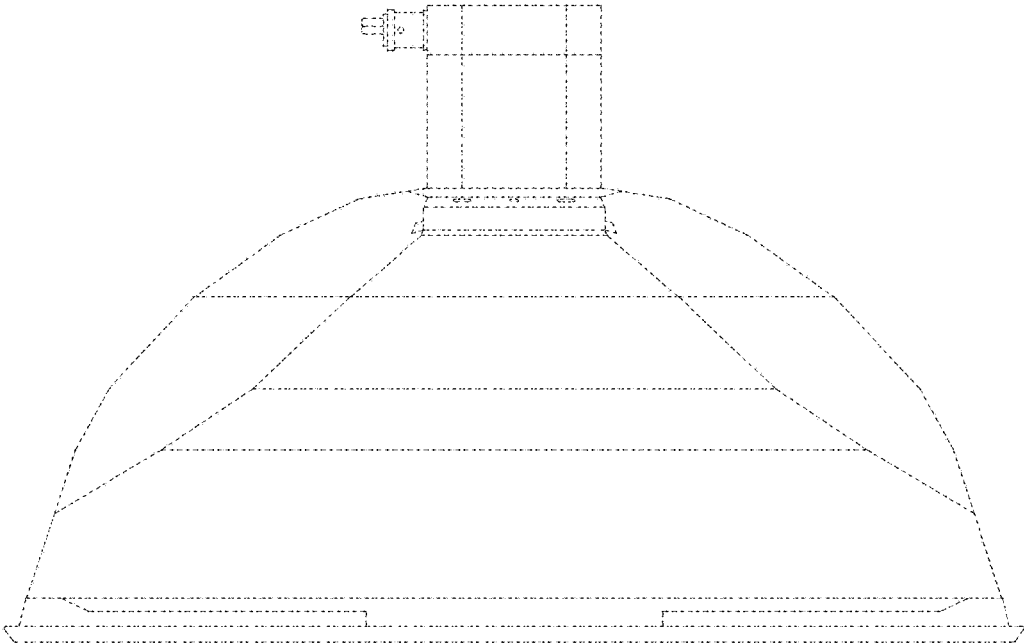


FIG. 4

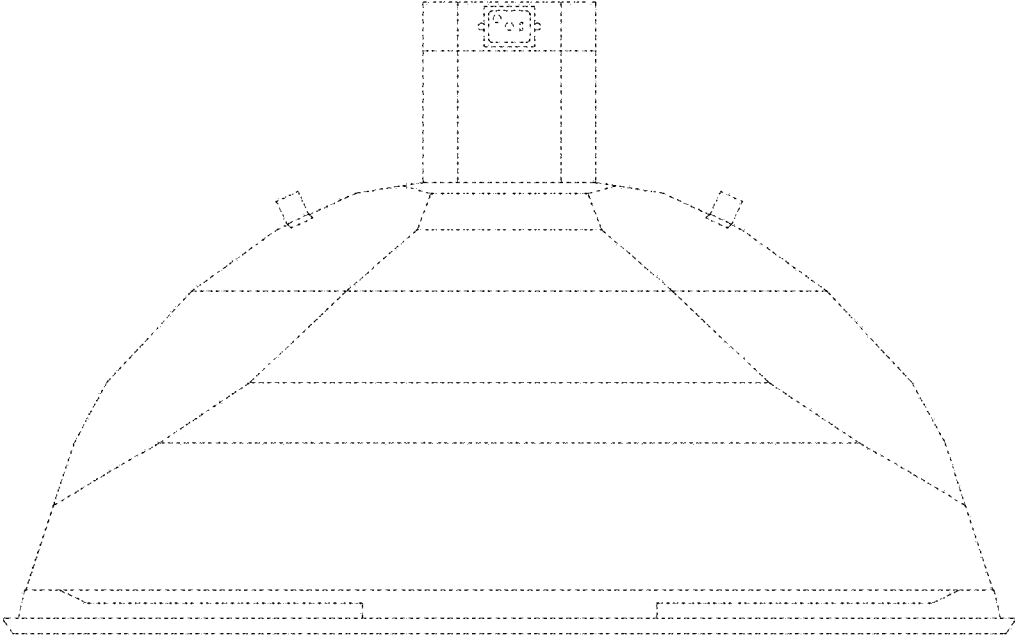


FIG. 5

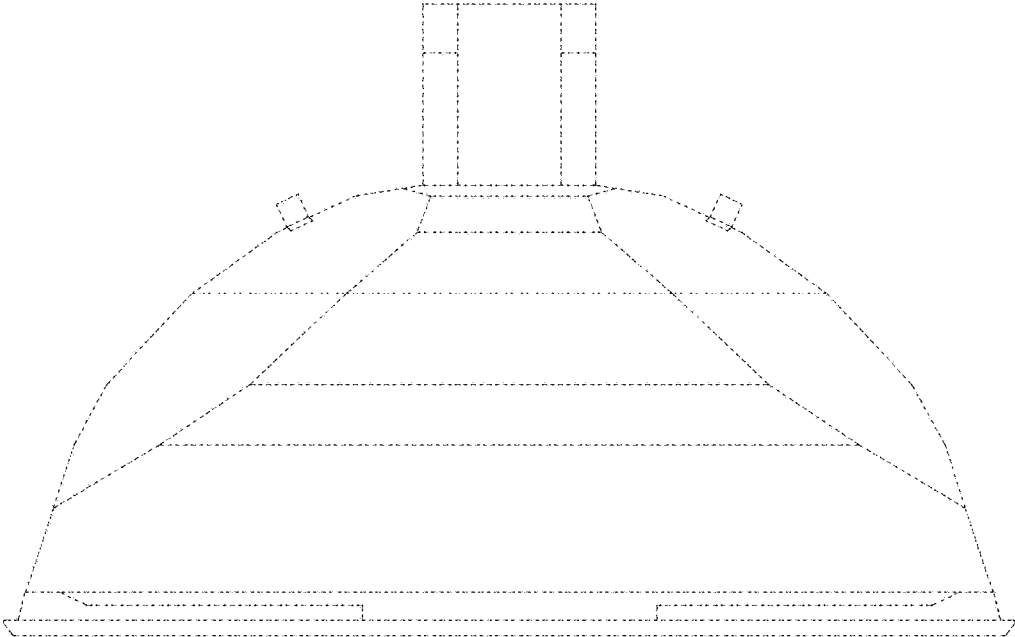


FIG. 6

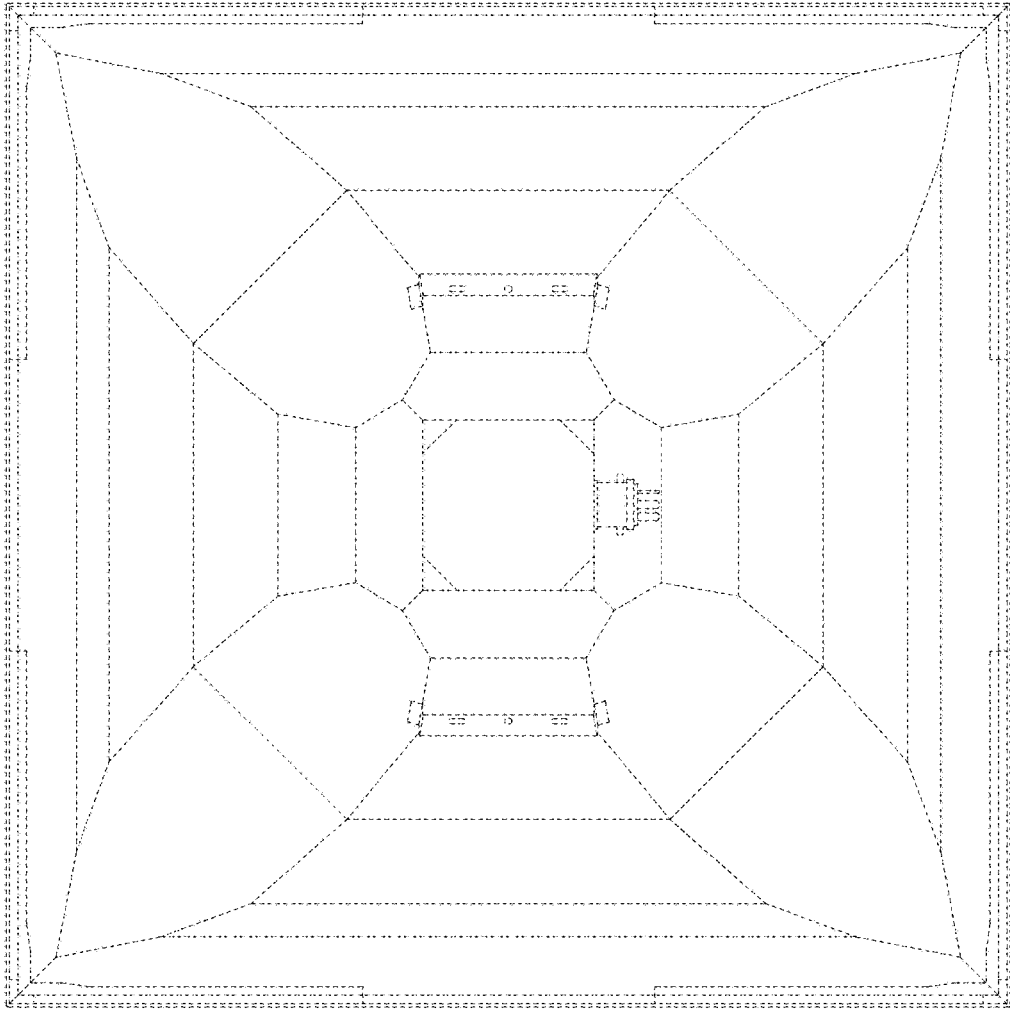


FIG. 7

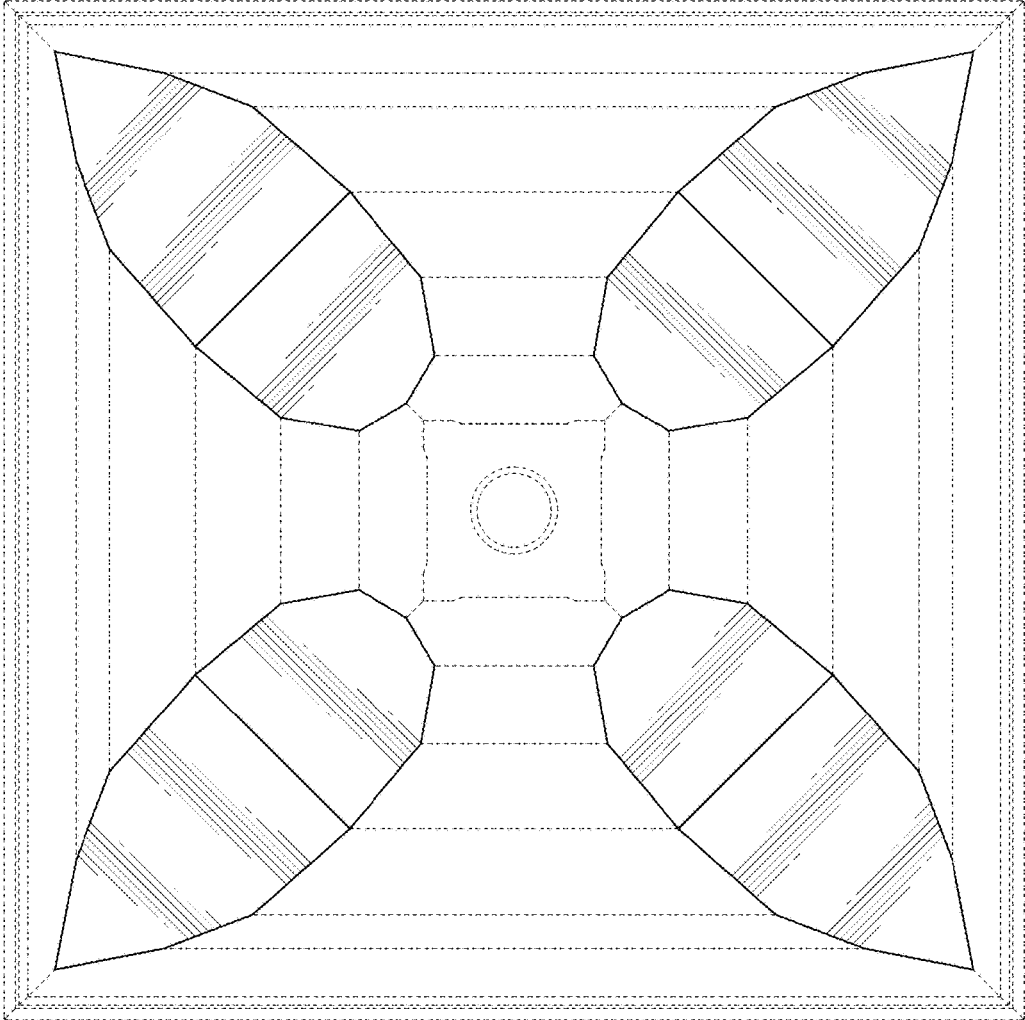


FIG. 8