



US00D748351S

(12) **United States Design Patent**  
**Baldwin et al.**

(10) **Patent No.:** **US D748,351 S**

(45) **Date of Patent:** **\*\* Jan. 26, 2016**

(54) **SPRAYER FOR DISH WASHING MACHINE**

(71) Applicant: **Whirlpool Corporation**, Benton Harbor, MI (US)

(72) Inventors: **Mark W. Baldwin**, Saint Joseph, MI (US); **Michael S. Seeley**, South Haven, MI (US)

(73) Assignee: **Whirlpool Corporation**, Benton Harbor, MI (US)

(\*\*) Term: **14 Years**

(21) Appl. No.: **29/471,178**

(22) Filed: **Oct. 29, 2013**

(51) **LOC (10) Cl.** ..... **15-05**

(52) **U.S. Cl.**  
USPC ..... **D32/3**

(58) **Field of Classification Search**  
USPC ..... D32/1-3, 25-27; 134/56 D, 93, 94.1, 134/95.1, 98.1, 200; 366/137.1, 315  
CPC ..... A47L 15/428  
See application file for complete search history.

(56) **References Cited**

**U.S. PATENT DOCUMENTS**

2,585,608 A \* 2/1952 Wiegart ..... 239/251  
5,673,714 A \* 10/1997 Campagnolo et al. .... 134/57 D

(Continued)

**FOREIGN PATENT DOCUMENTS**

GB 1018885 \* 4/1985  
JP D1320626 \* 2/2008

(Continued)

**OTHER PUBLICATIONS**

Amazon.com: Frigidaire 154754502 Upper Spray Arm Assembly for Dish Washer, review date Feb. 5, 2012, online, <http://www.amazon.com/...54754502-Upper-Assembly-Washer/dp/B00545AC8Q/>

ref=sr\_1\_1?ie=UTF8&qid=1428964856&sr=8-1&keywords=dishwasher+sprayer+arm, [site visited Apr. 13, 2015 6:42:52 PM].\*

(Continued)

*Primary Examiner* — John Windmuller  
*Assistant Examiner* — John R Yeh

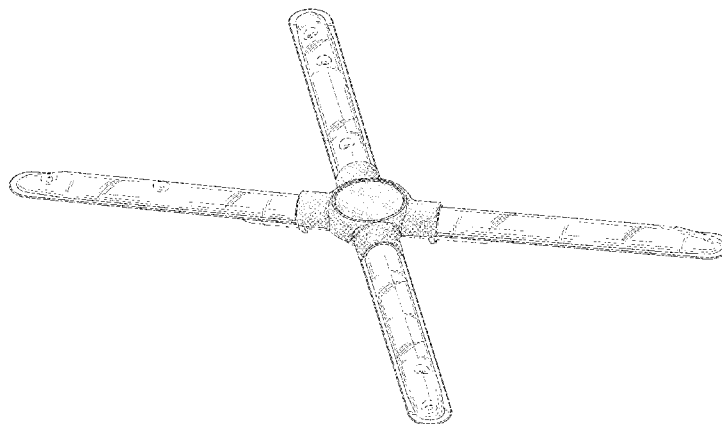
(57) **CLAIM**

The ornamental design for a sprayer of a dish washing machine, as shown and described.

**DESCRIPTION**

FIG. 1 is a perspective view of a first embodiment of a sprayer for dish washing machine showing our new design; FIG. 2 is a front view thereof, the rear view being a mirror image thereof; FIG. 3 is a right side view thereof, the left side view being a mirror image thereof; FIG. 4 is a top view thereof; FIG. 5 is a perspective view of a second embodiment of a sprayer for dish washing machine showing our new design; FIG. 6 is a front view thereof, the rear view being a mirror image thereof; FIG. 7 is a right side view thereof, the left side view being a mirror image thereof; FIG. 8 is a top view thereof; FIG. 9 is a perspective view of a third embodiment of a sprayer for dish washing machine showing our new design; FIG. 10 is a front view thereof, the rear view being a mirror image thereof; FIG. 11 is a right side view thereof, the left side view being a mirror image thereof; and, FIG. 12 is a top view thereof. As shown in FIGS. 1-12, the sprayer has arms with a reflective appearance, such as polished metal or chrome for example, as represented by the shading. Also, as shown in FIGS. 1-12, the sprayer has a hub with a contrasting appearance to the arms, as represented by the shading. Further, as shown in FIGS. 9-12, the third embodiment of the sprayer has a medallion with a reflective appearance, such as polished metal or chrome for example, as represented by the shading. The broken lines in the figures represent portions of the sprayer that form no part of the claimed design.

**1 Claim, 9 Drawing Sheets**



(56)

References Cited

U.S. PATENT DOCUMENTS

D461,284 S \* 8/2002 Hegeman et al. .... D32/3  
 8,007,598 B2 \* 8/2011 Chen et al. .... 134/56 D  
 8,349,089 B2 \* 1/2013 Bertsch et al. .... 134/25.2  
 2003/0006305 A1 \* 1/2003 Hegeman et al. .... 239/225.1  
 2004/0000331 A1 \* 1/2004 Elick et al. .... 134/180  
 2004/0045586 A1 \* 3/2004 Rappette ..... 134/10  
 2004/0159338 A1 \* 8/2004 Elick et al. .... 134/25.2  
 2004/0163680 A1 \* 8/2004 Elick et al. .... 134/25.2  
 2005/0051201 A1 \* 3/2005 Ashton et al. .... 134/104.1  
 2005/0126607 A1 \* 6/2005 Haft et al. .... 134/56 D  
 2010/0187958 A1 \* 7/2010 Colon ..... 312/228  
 2013/0180555 A1 \* 7/2013 Lee et al. .... 134/181

FOREIGN PATENT DOCUMENTS

KR 300458286-0000 \* 8/2007  
 KR 300558603-0000 \* 4/2010

OTHER PUBLICATIONS

I have a Kenmore Elite 665 16919001 built in dishwasher, conversation dated to 2010, online, <http://www.justanswer.com/appliance/2m8xn-kenmore-elite-665-16919001-built-dishwasher-lately.html>, [site visited Apr. 13, 2015 6:30:18 PM].\*  
 Whirlpool 675808 Arm Kit—Replacement Dishwasher Wash Arms—Amazon.com, review date Feb. 9, 2012, online, [http://www.amazon.com/Whirlpool-675808-Arm-Kit/dp/B00DZU7ODI/ref=sr\\_l\\_3?ie=UTF8&qid=1428964856&sr=8-3&keywords=dishwasher+sprayer+arm](http://www.amazon.com/Whirlpool-675808-Arm-Kit/dp/B00DZU7ODI/ref=sr_l_3?ie=UTF8&qid=1428964856&sr=8-3&keywords=dishwasher+sprayer+arm), [site visited Apr. 13, 2015 6:45:09 PM].\*  
 How to Really Clean Your Dishwasher, post date May 14, 2011, online, <http://dangerismydayjob.blogspot.com/...onths-i-have-noticed-that.html#/2011/05/last-few-months-i-have-noticed-that.html>, [site visited Apr. 13, 2015 7:08:47 PM].\*

\* cited by examiner

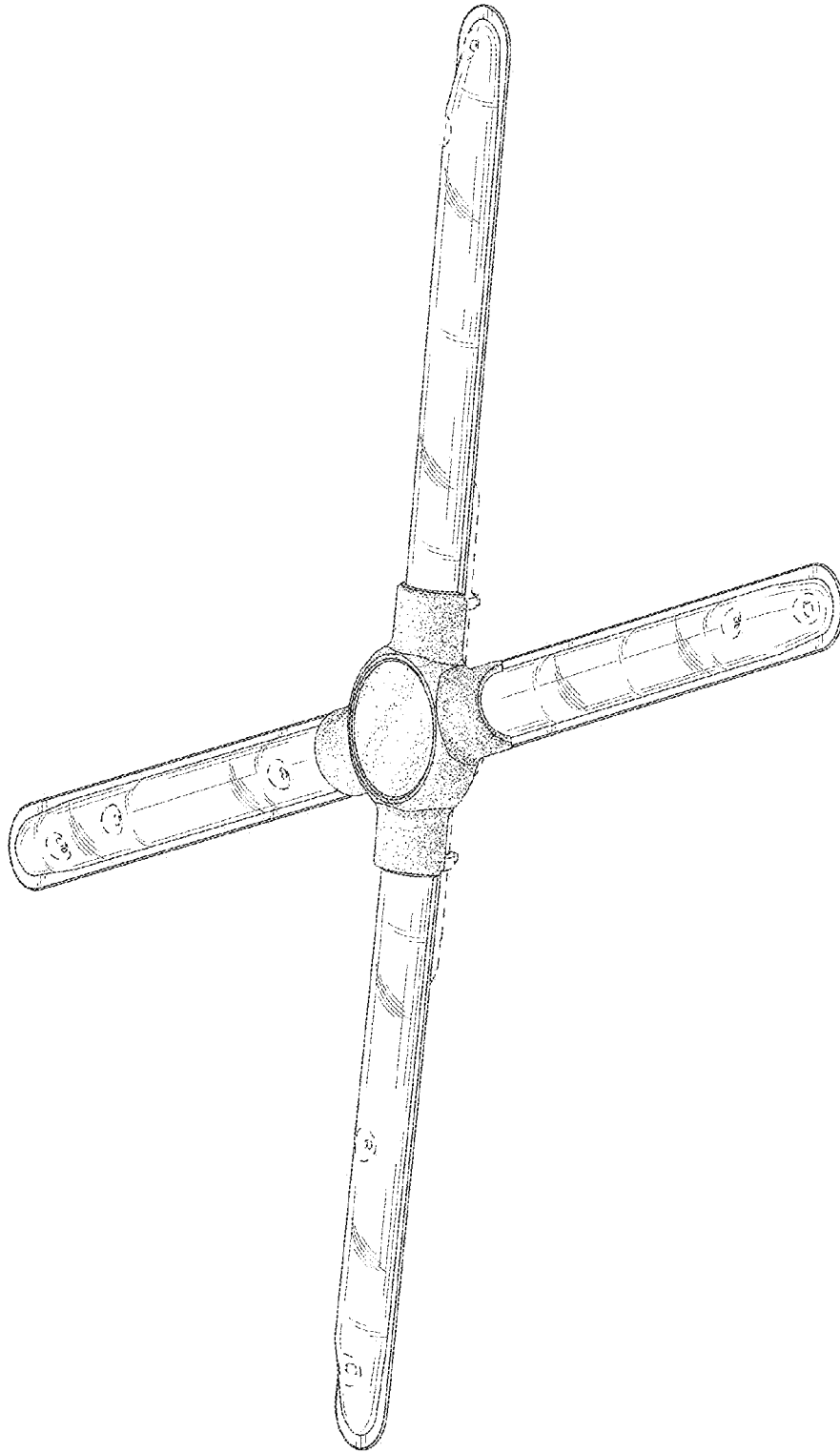


FIG. 1

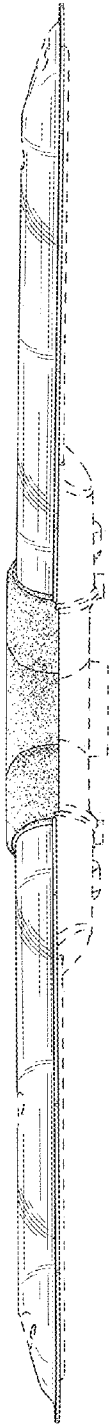


FIG. 2



FIG. 3

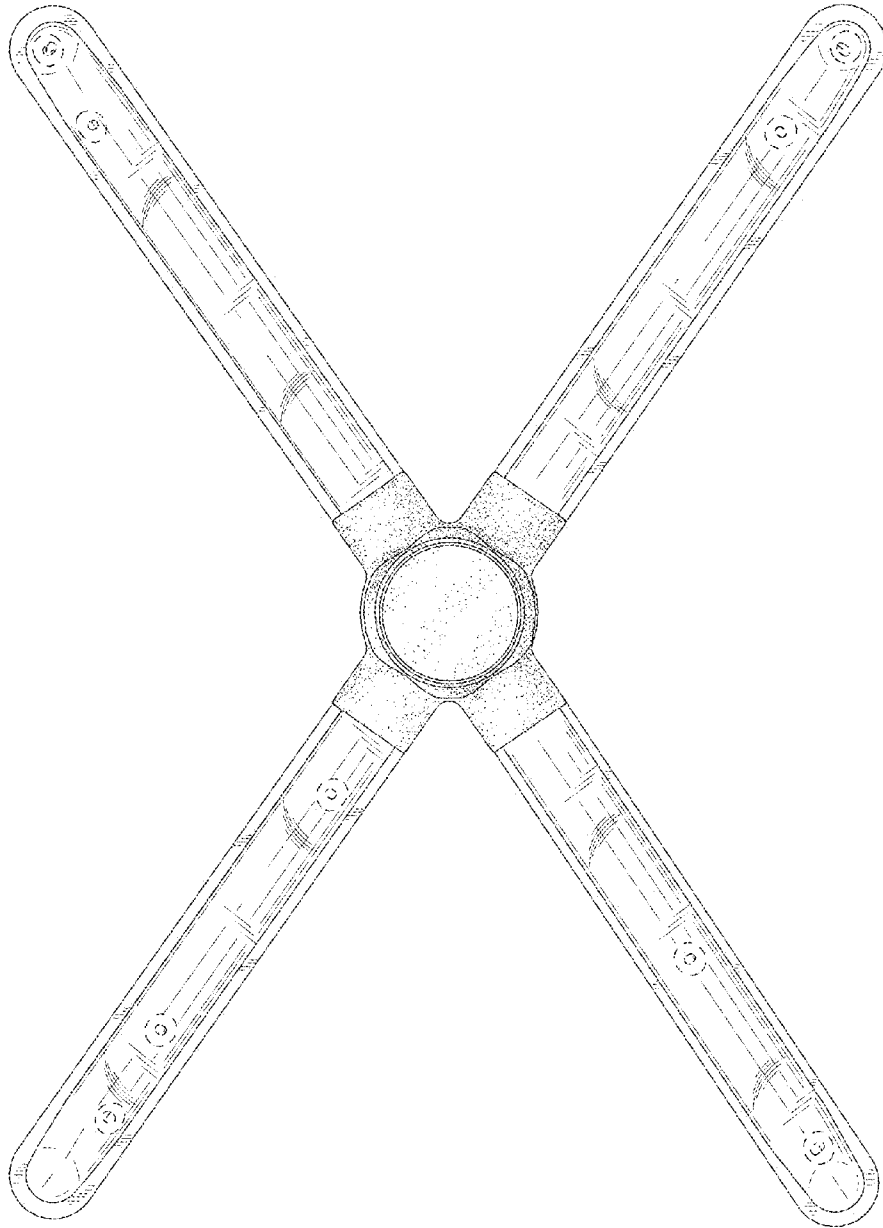


FIG. 4

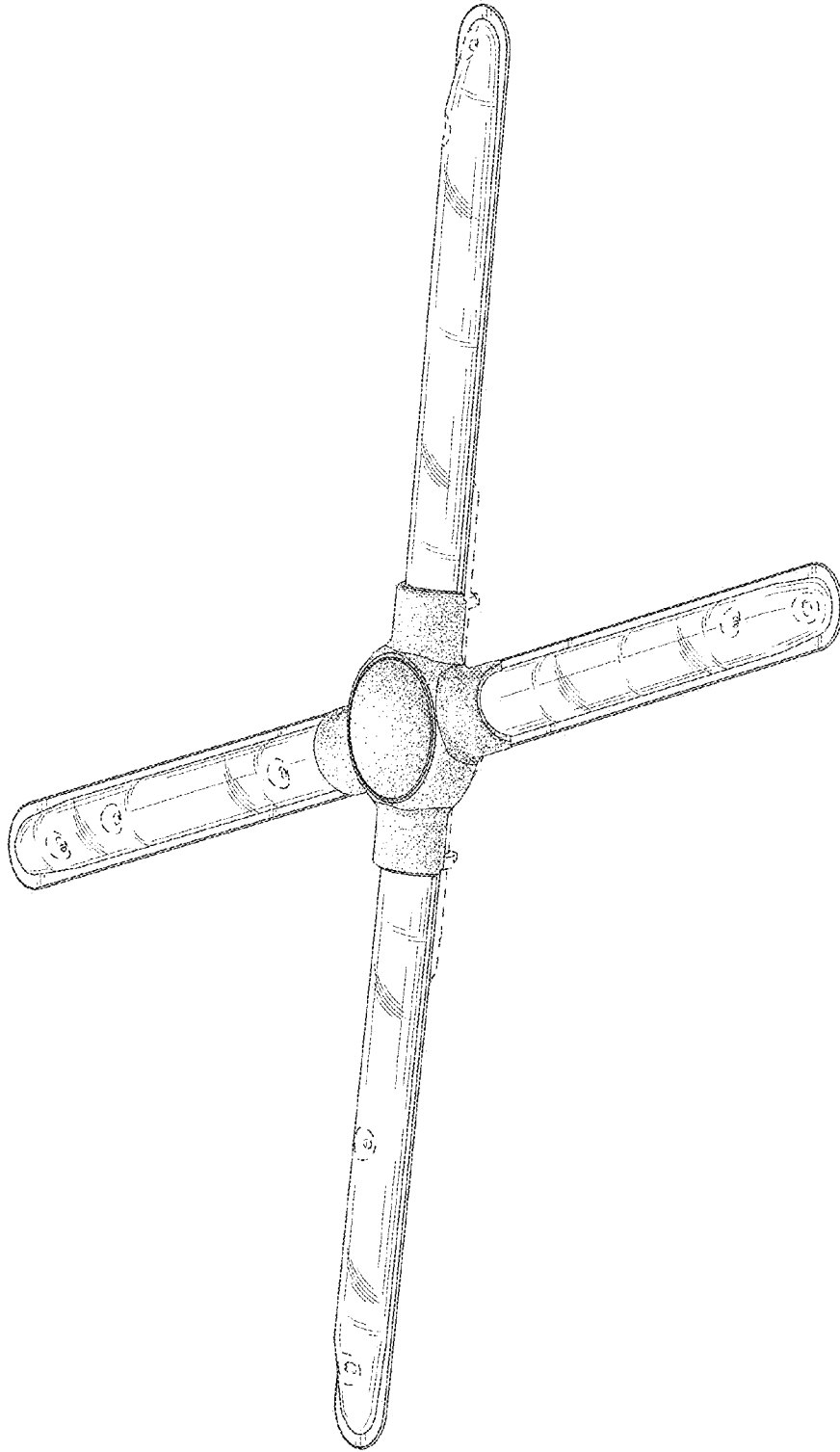


FIG. 5

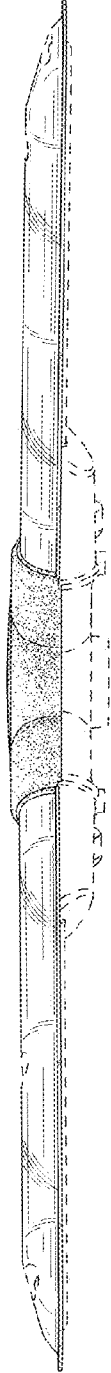


FIG. 6

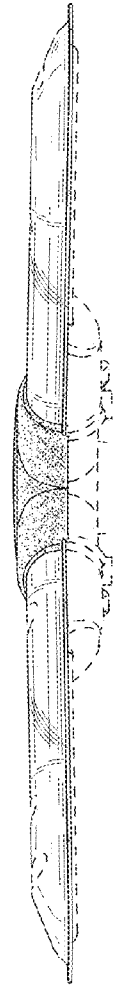


FIG. 7

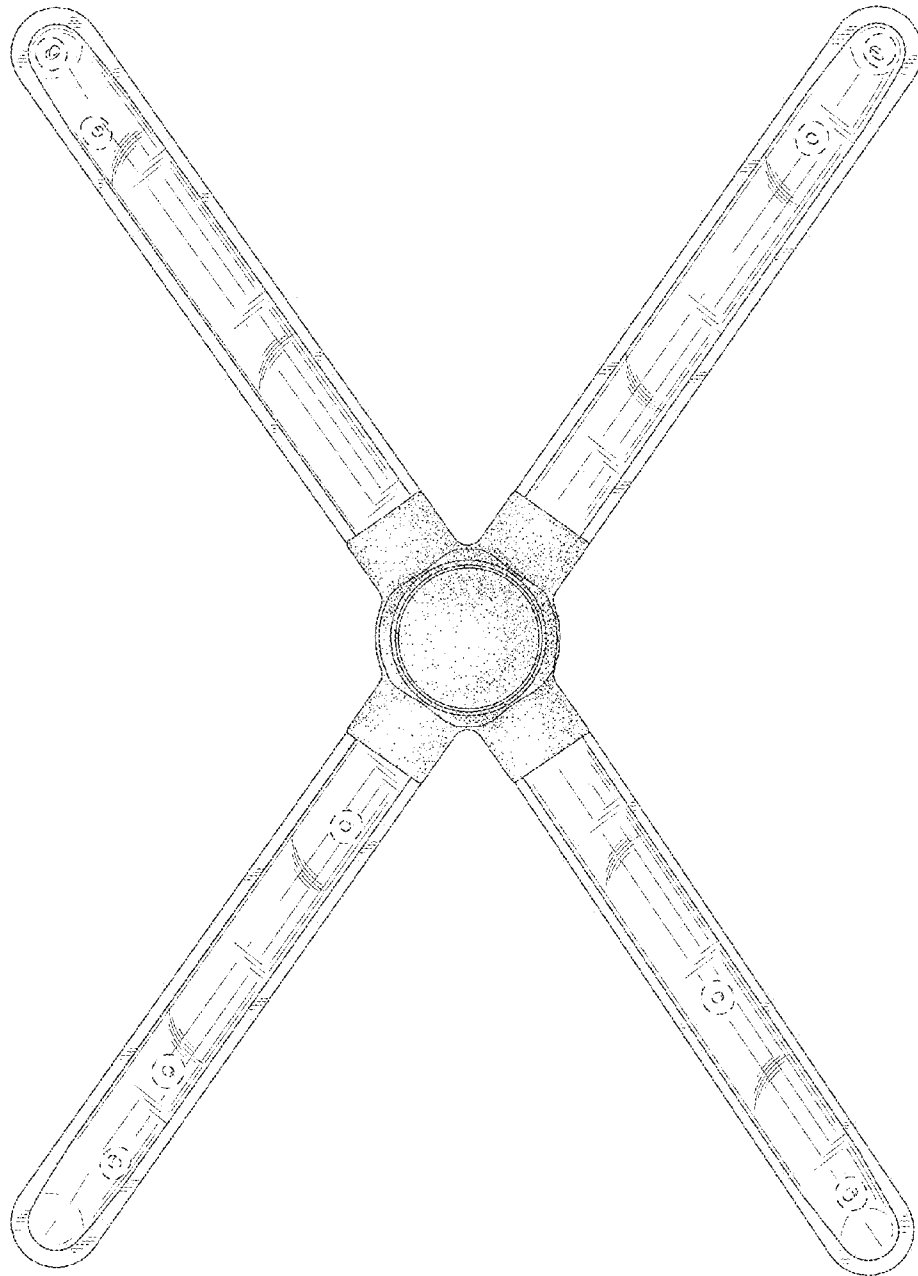


FIG. 8



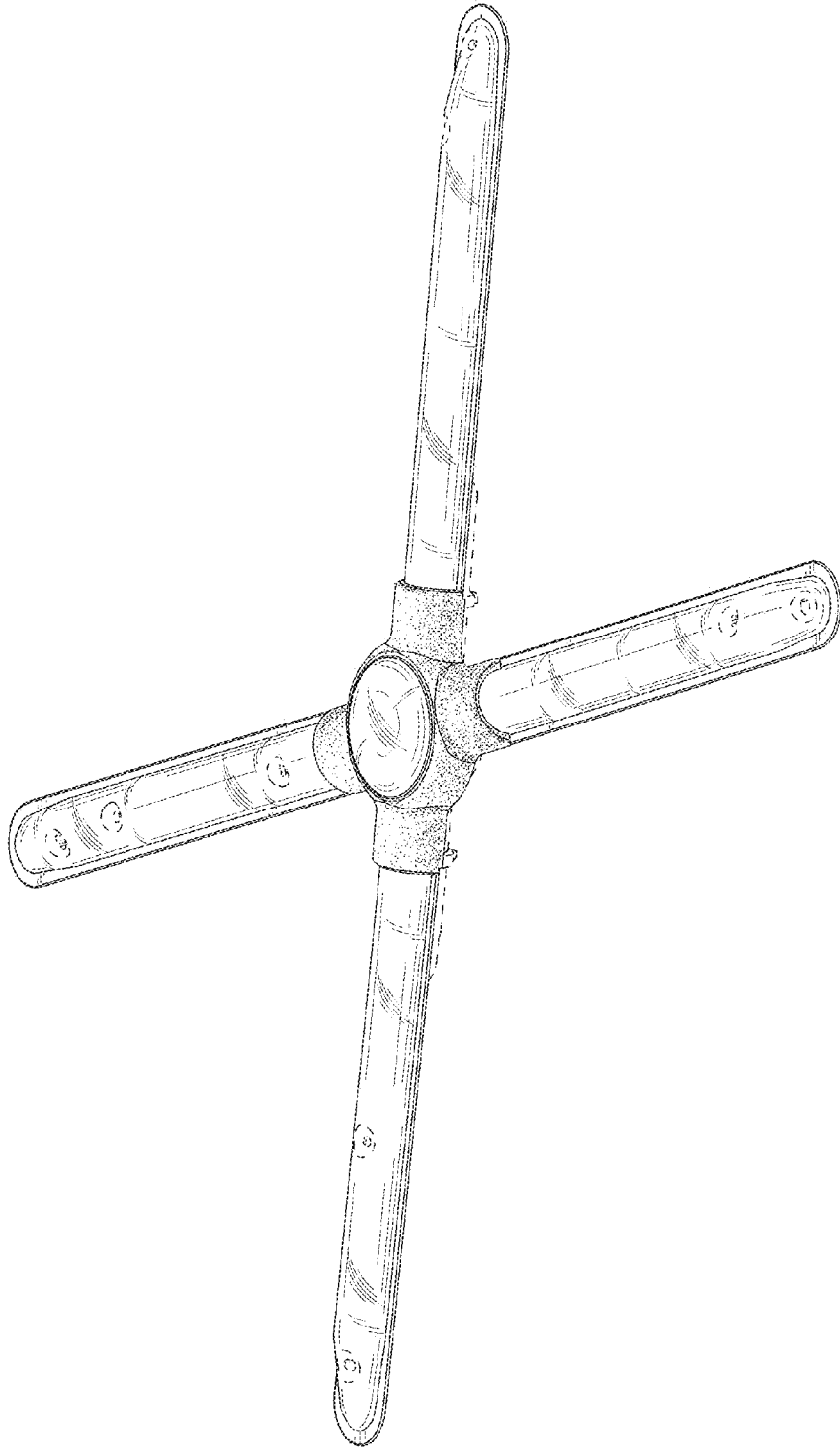


FIG. 9

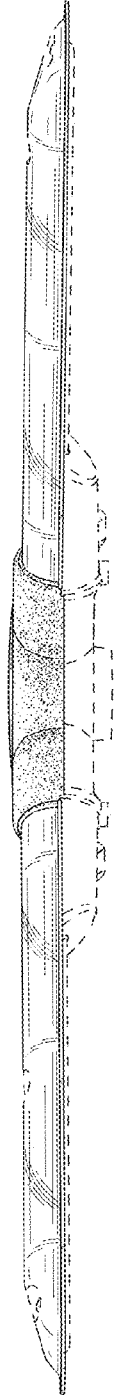


FIG. 10

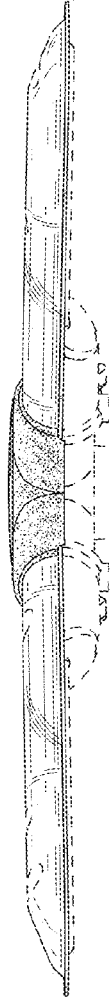


FIG. 11

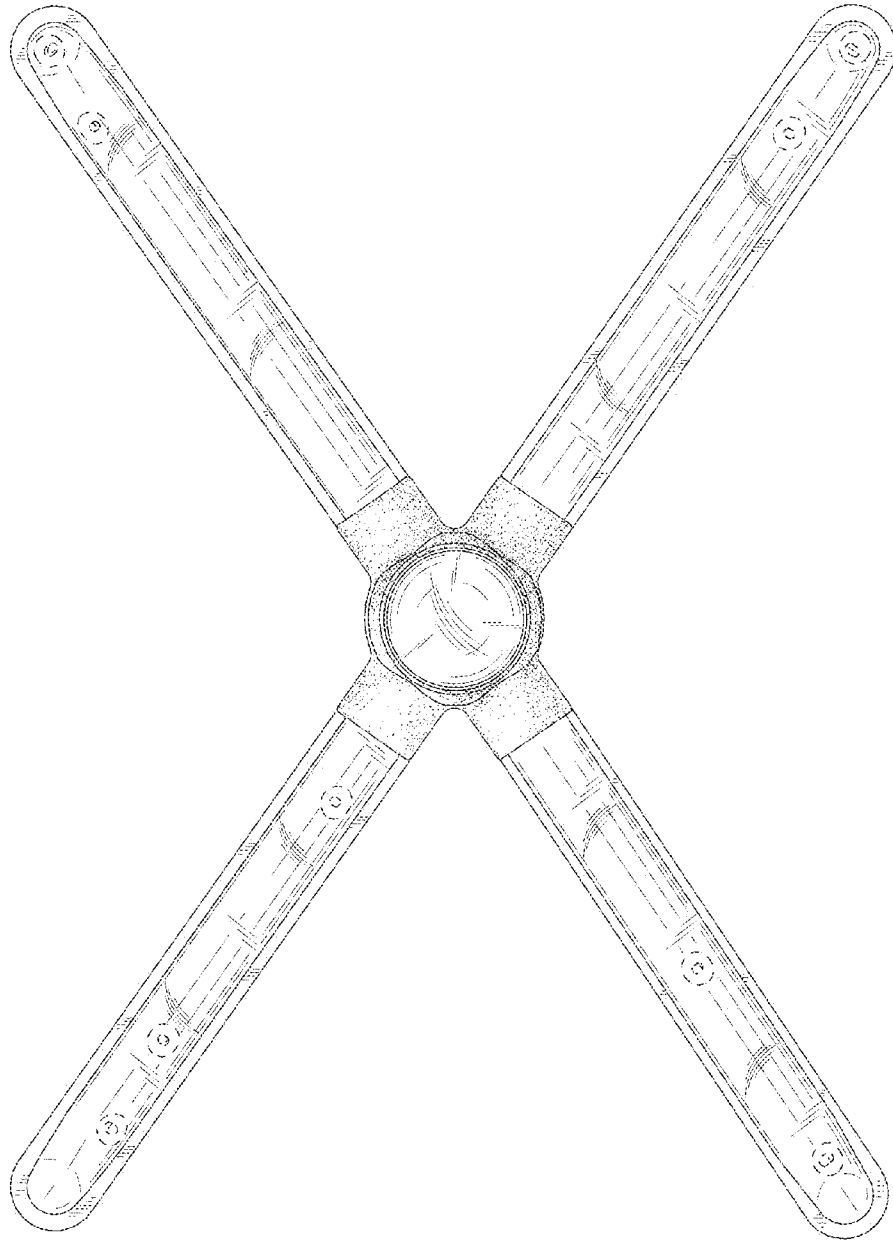


FIG. 12