



US00D926324S

(12) **United States Design Patent**  
**Zhang**

(10) **Patent No.:** **US D926,324 S**

(45) **Date of Patent:** **\*\* Jul. 27, 2021**

(54) **PULSE OXIMETER**

(71) Applicant: **HUNAN ACCURATE  
BIO-MEDICAL TECHNOLOGY  
CO., LTD**, Changsha (CN)

(72) Inventor: **Li Zhang**, Changsha (CN)

(73) Assignee: **HUNAN ACCURATE  
BIO-MEDICAL TECHNOLOGY  
CO., LTD**, Changsha (CN)

(\*\*) Term: **15 Years**

(21) Appl. No.: **29/716,240**

(22) Filed: **Dec. 9, 2019**

(30) **Foreign Application Priority Data**

Nov. 1, 2019 (EM) ..... 007158118-0009

(51) **LOC (13) Cl.** ..... **24-01**

(52) **U.S. Cl.**  
USPC ..... **D24/169; D24/167**

(58) **Field of Classification Search**  
USPC ..... D24/164-169, 107, 186-187; D14/344;  
D10/75, 70, 98  
CPC ..... A61B 5/0404; A61B 5/021; A61B 5/024;  
A61B 5/02438; A61B 5/681; A61B  
5/0402; A61B 2560/0462; A61B 5/0205;  
A61B 5/02427; A61B 5/14552; A61B  
5/6626; A61B 5/6638; G01N 33/66;  
G01N 33/49; G01N 33/493  
See application file for complete search history.

(56) **References Cited**

**U.S. PATENT DOCUMENTS**

D621,516 S \* 8/2010 Kiani ..... D24/186  
D670,388 S \* 11/2012 Jin ..... D24/169  
D691,726 S \* 10/2013 Jin ..... D24/169

D877,339 S \* 3/2020 Xian ..... D24/165  
D893,727 S \* 8/2020 Zhao ..... D24/165  
D893,728 S \* 8/2020 Zhao ..... D24/165  
D894,400 S \* 8/2020 Wei ..... D24/169  
D895,805 S \* 9/2020 Wei ..... D24/169  
D903,872 S \* 12/2020 Wang ..... D24/169  
2010/0030040 A1\* 2/2010 Poeze ..... A61B 5/14532  
600/316  
2019/0090795 A1\* 3/2019 Boller ..... A61B 5/14552

**OTHER PUBLICATIONS**

Fingertip Pulse Oximeter, posted at accbiomed.com, no posting date, retrieved Jan. 8, 2020, online, URL: <http://www.accbiomed.com/FingertipPulseOximeter.html> (Year: 2020).\*

\* cited by examiner

*Primary Examiner* — Lilyana Bekic  
*Assistant Examiner* — Mary Shannon Malley

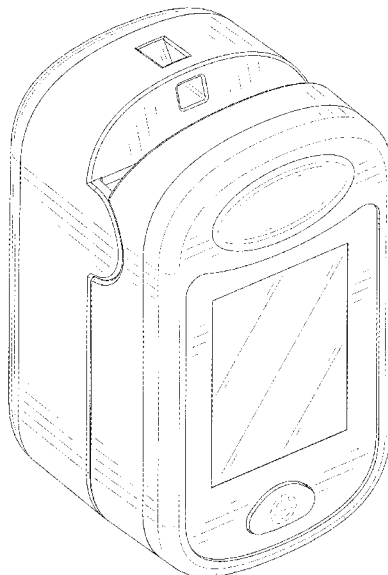
(57) **CLAIM**

The ornamental design for a pulse oximeter, as shown and described.

**DESCRIPTION**

FIG. 1 is a perspective view of a pulse oximeter showing my new design;  
FIG. 2 is another perspective view thereof;  
FIG. 3 is a front elevational view thereof;  
FIG. 4 is a rear elevational view thereof;  
FIG. 5 is a left side elevational view thereof;  
FIG. 6 is a right side elevational view thereof;  
FIG. 7 is a top plan view thereof;  
FIG. 8 is a bottom plan view thereof; and,  
FIG. 9 is a perspective view of the pulse oximeter where the pulse oximeter is in a configuration of use.  
The broken lines in the drawings depict portions of the pulse oximeter that form no part of the claimed design.

**1 Claim, 9 Drawing Sheets**



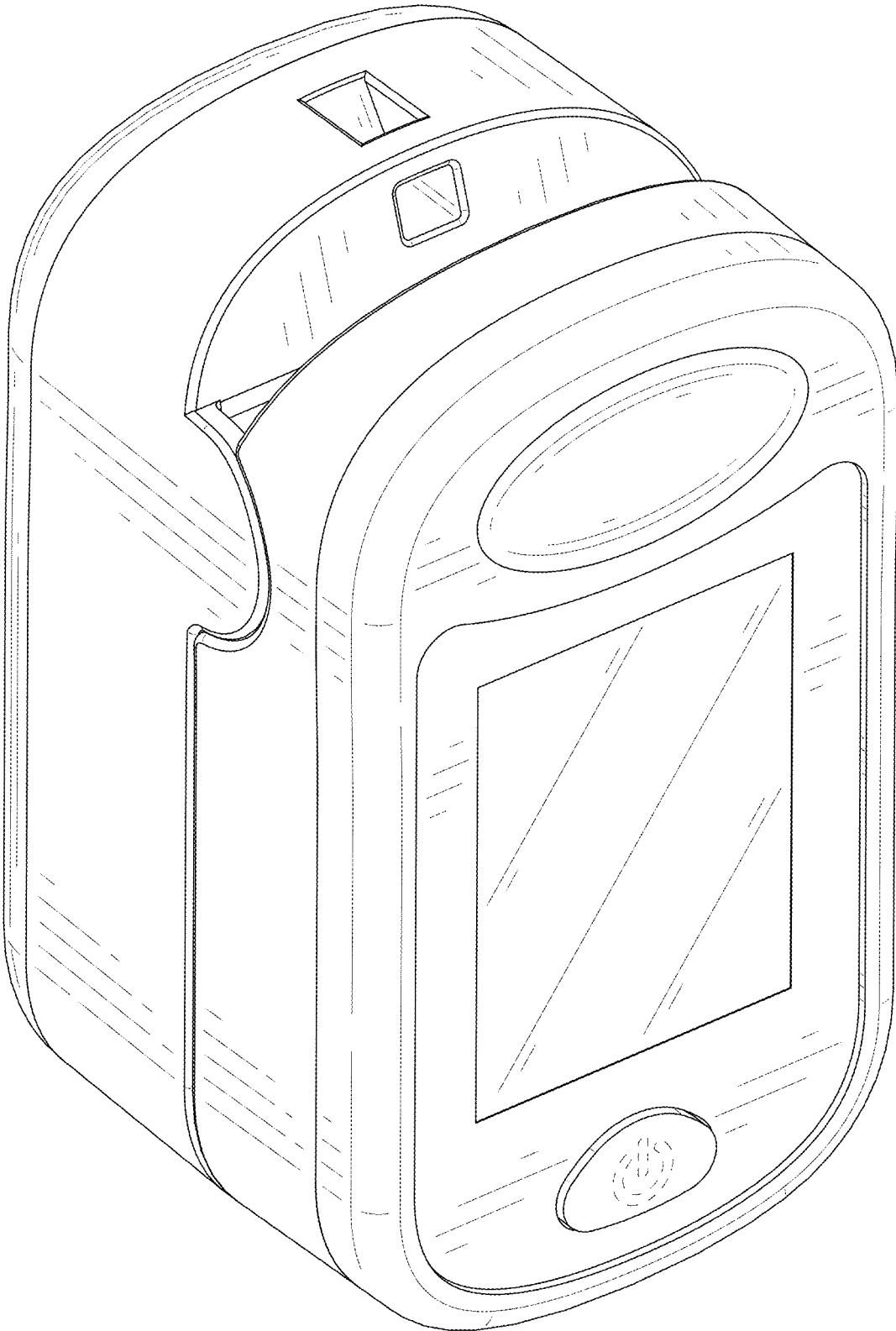


FIG. 1

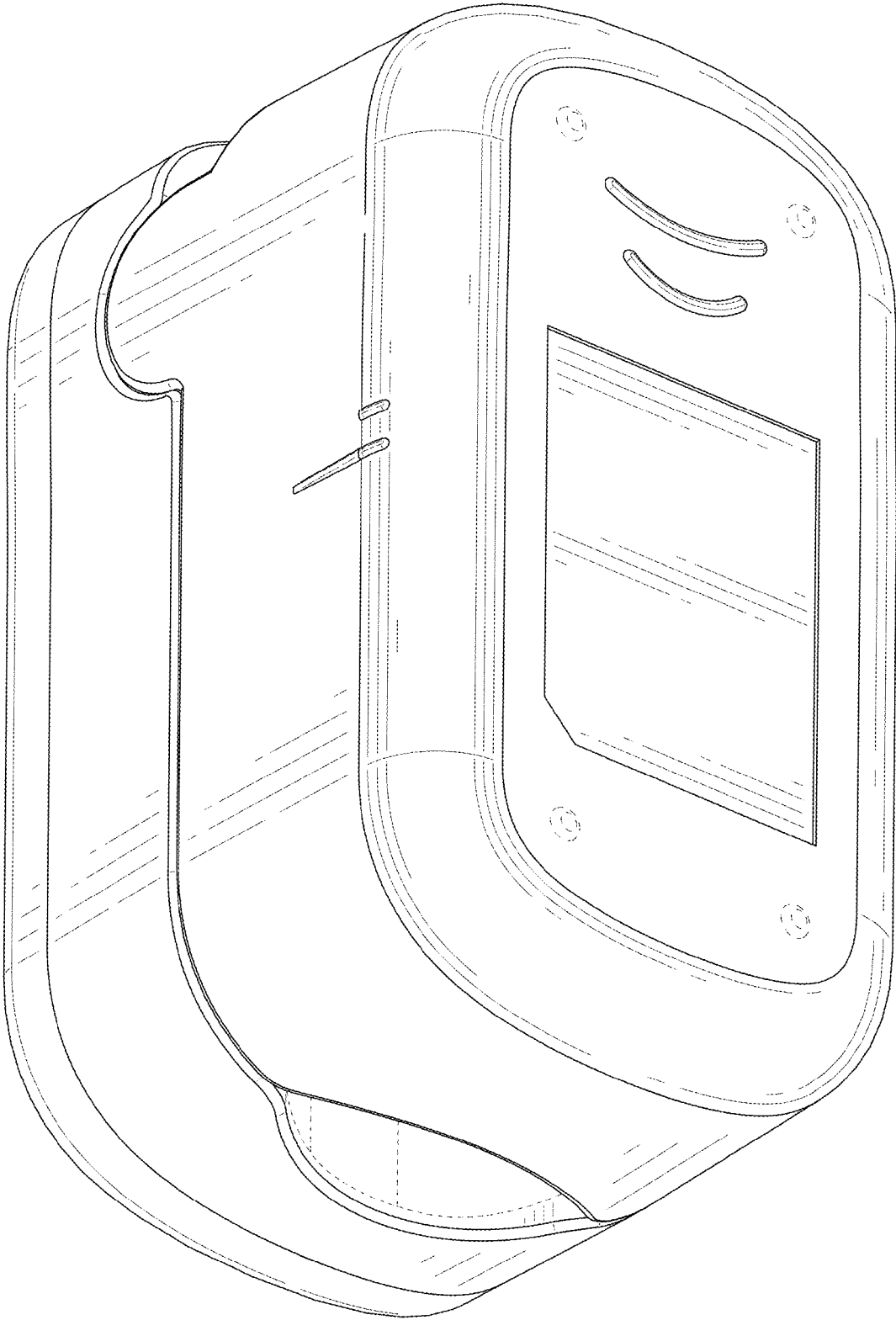


FIG. 2

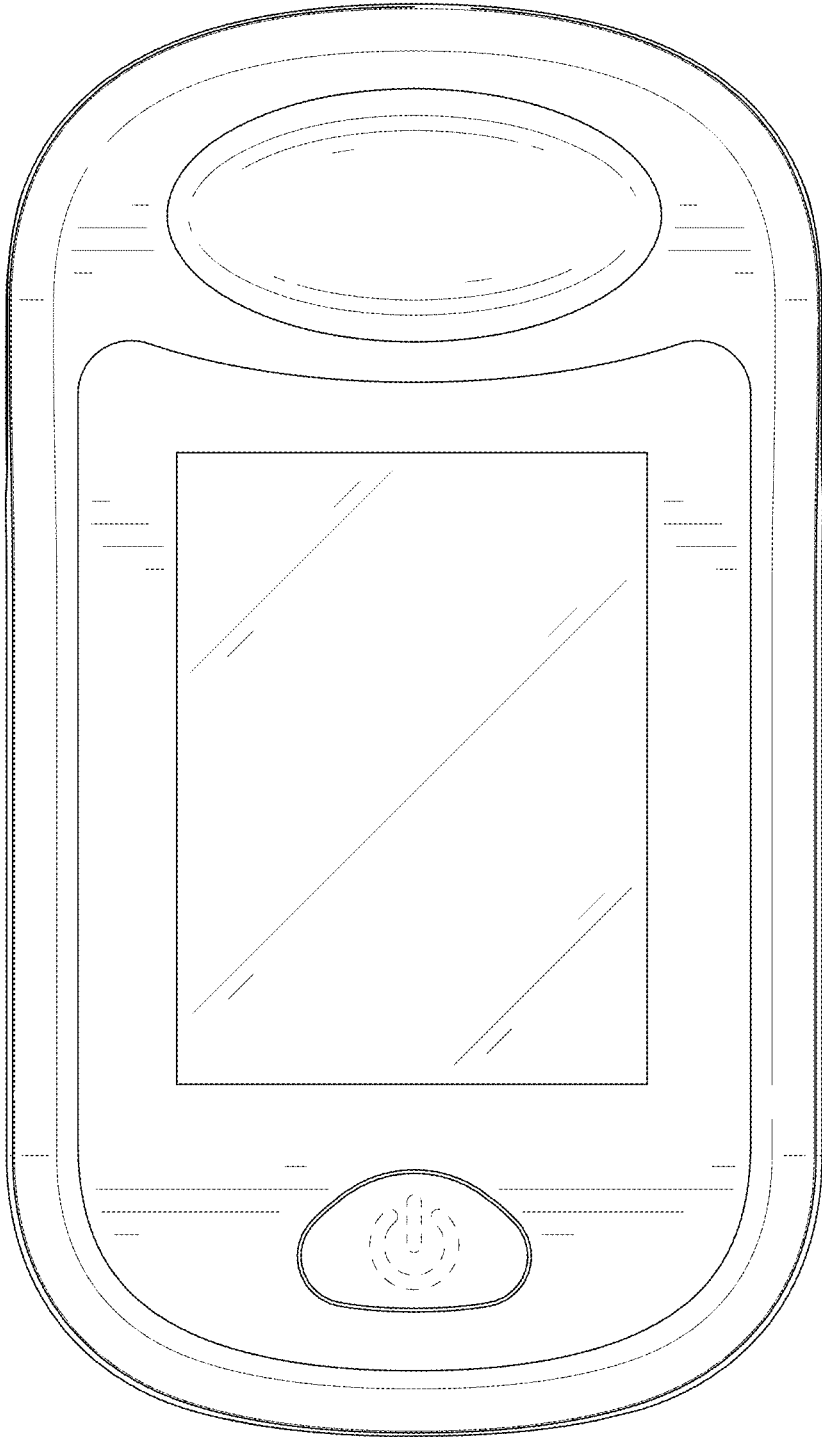


FIG. 3

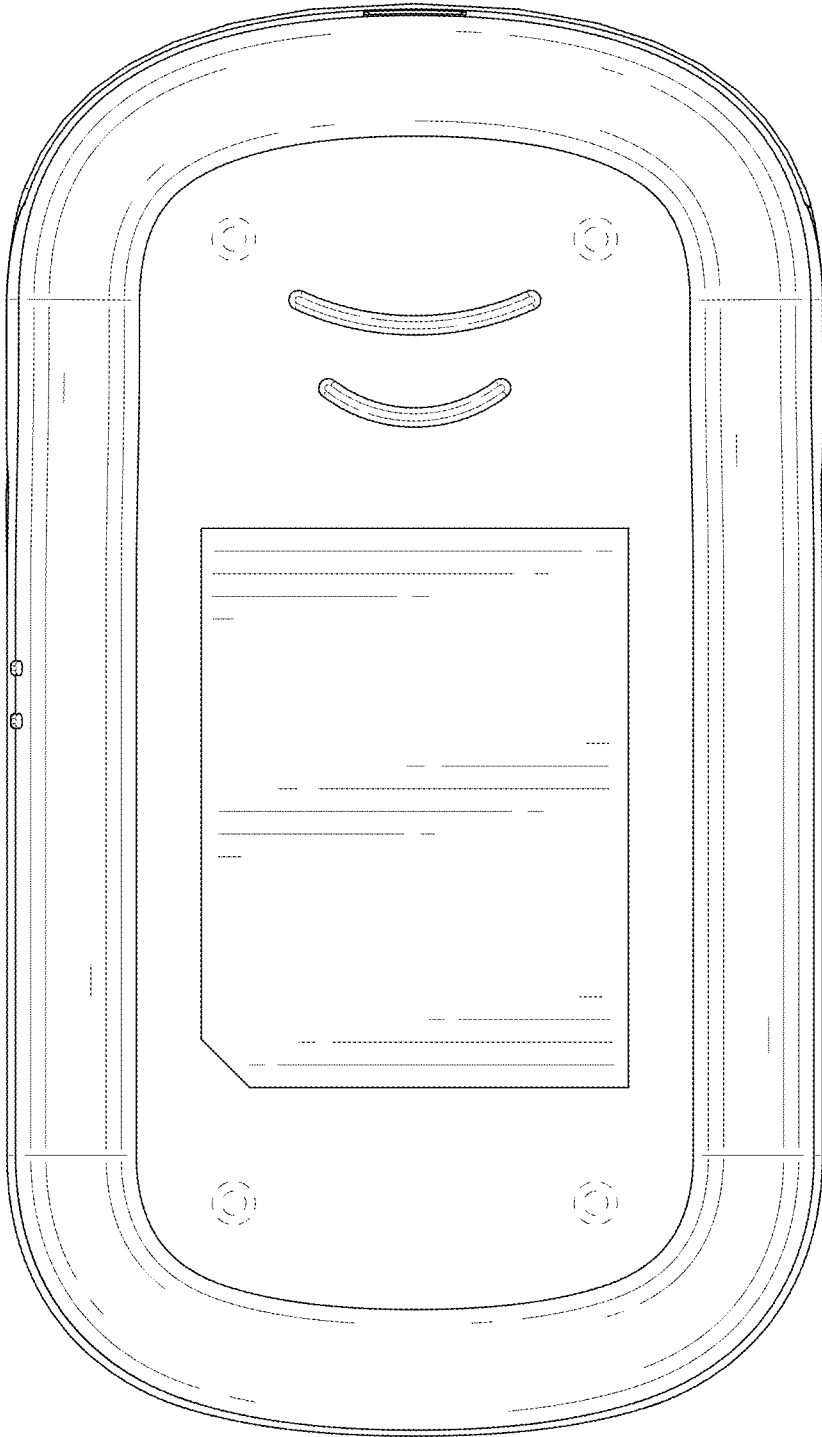


FIG. 4

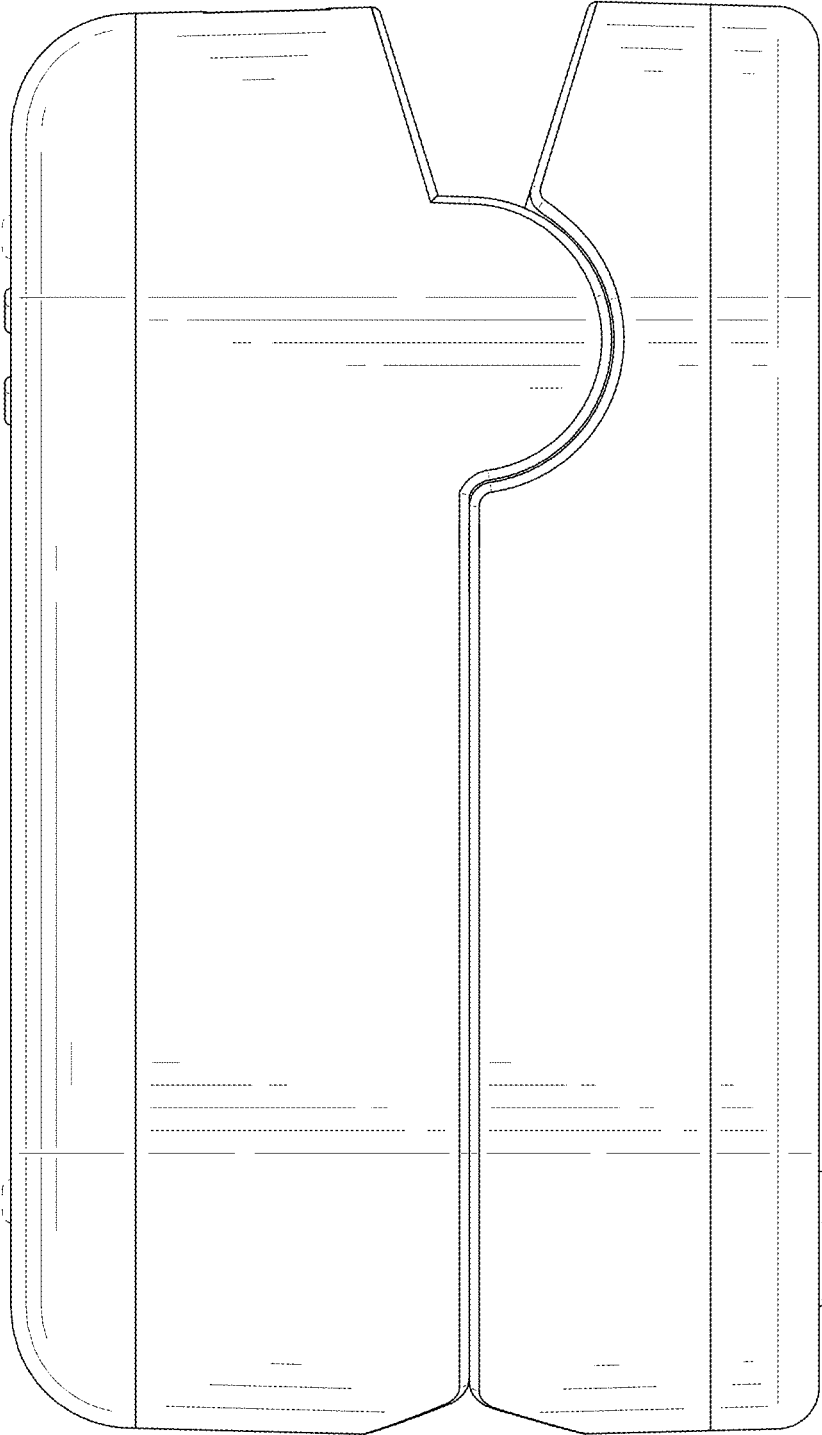


FIG. 5

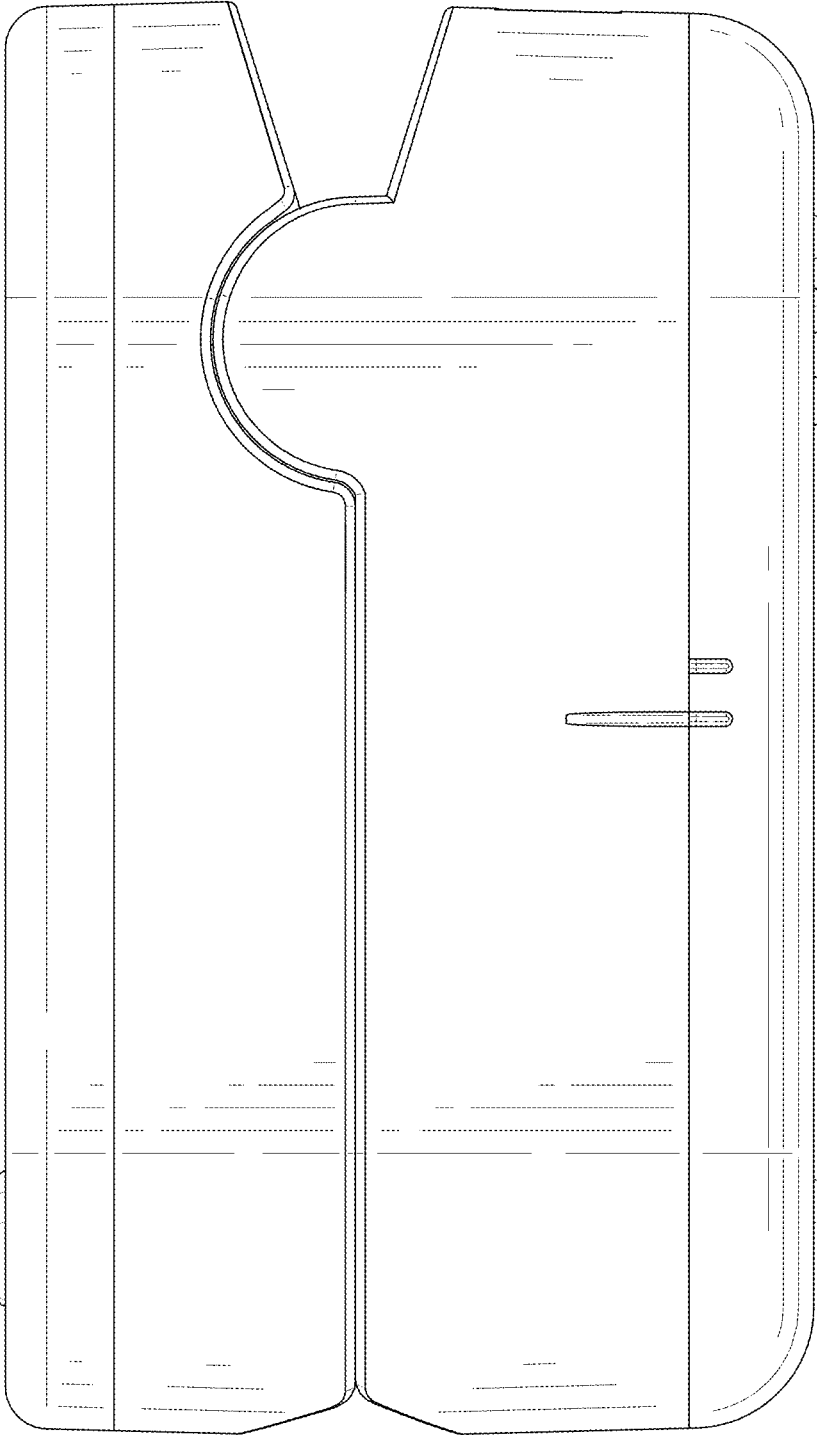


FIG. 6

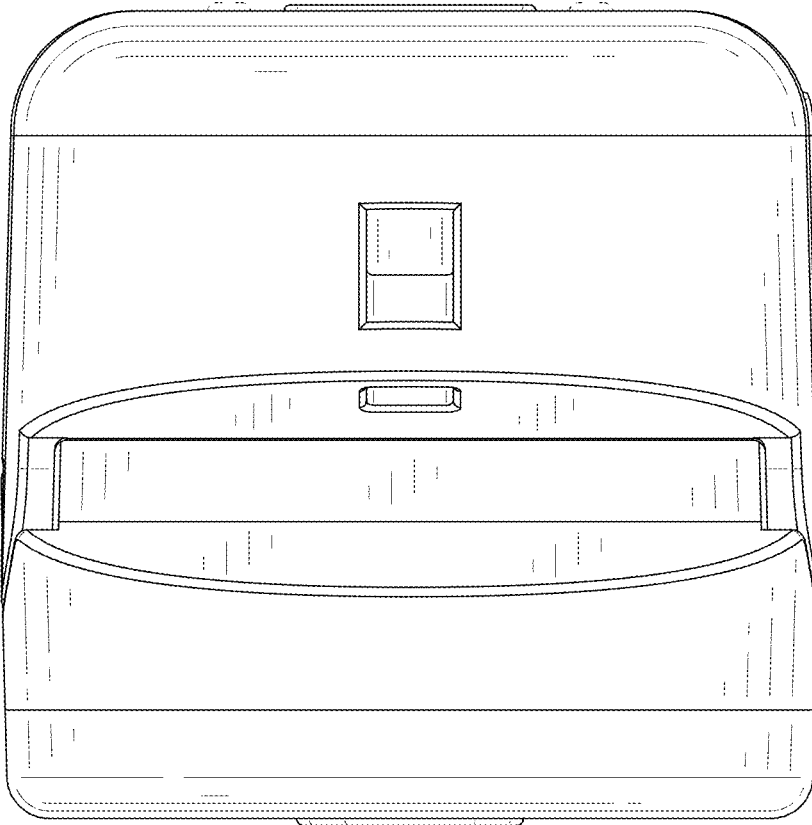


FIG. 7



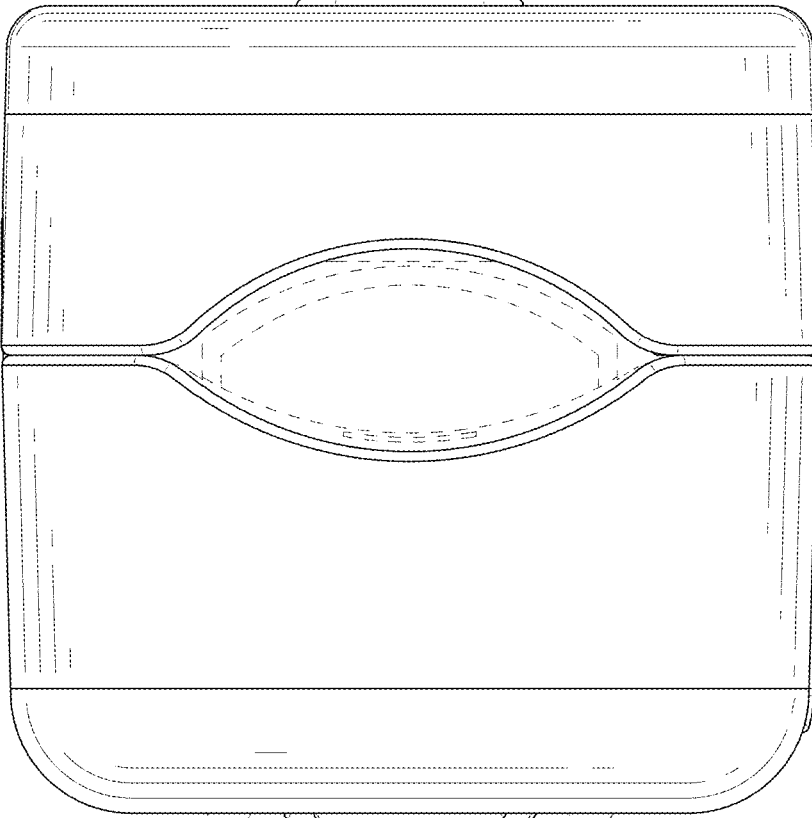


FIG. 8

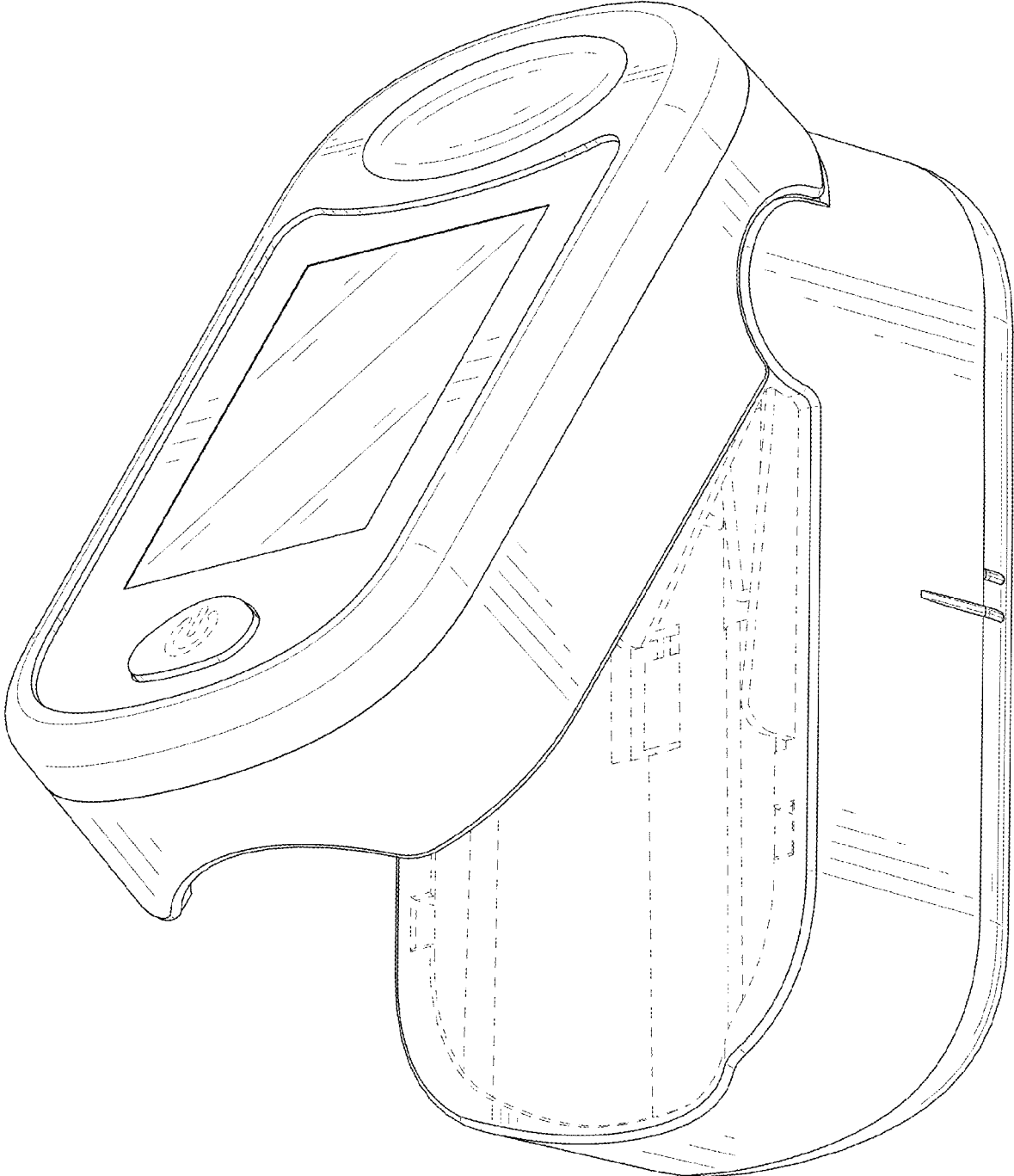


FIG. 9