



US00D820324S

(12) **United States Design Patent**  
**Ewringmann**

(10) **Patent No.:** **US D820,324 S**

(45) **Date of Patent:** **\*\* Jun. 12, 2018**

(54) **SCREED WITH LATERAL SLIDER**

3,907,451 A \* 9/1975 Fisher ..... E01C 19/4873  
404/101

(71) Applicant: **Joseph Voegele AG**, Ludwigshafen am Rhein (DE)

D239,966 S 5/1976 Swisher, Jr. et al.  
4,272,213 A \* 6/1981 McGovarin ..... E01C 19/40  
404/118

(72) Inventor: **Ulrich Ewringmann**, Taufkirchen-Potzham (DE)

D324,053 S 2/1992 Smrt  
5,201,603 A 4/1993 Bassett et al.  
5,203,642 A 4/1993 Heller et al.

(73) Assignee: **Joseph Voegele AG**, Ludwigshafen/Rhein (DE)

(Continued)

(\*\*) Term: **15 Years**

EM 001322689-0003 4/2012  
EM 001322689-0004 4/2012

(21) Appl. No.: **29/545,382**

(Continued)

(22) Filed: **Nov. 12, 2015**

*Primary Examiner* — Cynthia Ramirez

**Related U.S. Application Data**

(74) *Attorney, Agent, or Firm* — Brooks Kushman P.C.

(62) Division of application No. 29/468,956, filed on Oct. 4, 2013, now Pat. No. Des. 753,189.

(30) **Foreign Application Priority Data**

Apr. 12, 2013 (EM) ..... 001369649

(51) **LOC (11) Cl.** ..... **15-03**

(52) **U.S. Cl.**  
USPC ..... **D15/19**

(58) **Field of Classification Search**  
USPC ..... D15/19, 13, 22-26, 28; 404/110, 101,  
404/108, 75, 102, 118, 84.8, 105, 72,  
404/84.5

CPC ..... E01C 19/42; E01C 19/48; E01C 19/002;  
E01C 19/176; E01C 19/402; E01C 23/00;  
E04F 21/24

See application file for complete search history.

(56) **References Cited**

**U.S. PATENT DOCUMENTS**

2,591,502 A 4/1952 Bohannan et al.  
3,557,672 A \* 1/1971 Shurtz ..... E01C 19/4873  
404/118

**FOREIGN PATENT DOCUMENTS**

EM 001322689-0003 4/2012  
EM 001322689-0004 4/2012

(Continued)

*Primary Examiner* — Cynthia Ramirez

(74) *Attorney, Agent, or Firm* — Brooks Kushman P.C.

(57) **CLAIM**

The ornamental design for a screed with lateral slider, as shown and described.

**DESCRIPTION**

FIG. 1 shows a view onto the front side of a screed with lateral slider;

FIG. 2 shows a view onto the left side of the screed with lateral slider of FIG. 1;

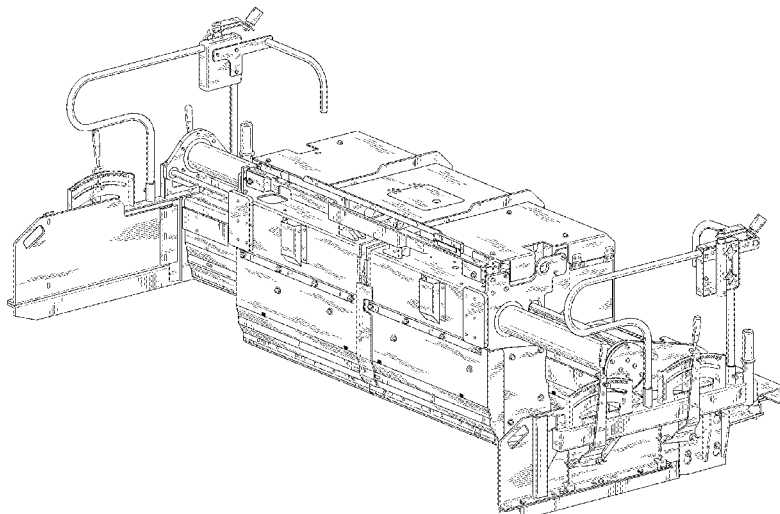
FIG. 3 shows a view onto the rear side of the screed with lateral slider of FIG. 1;

FIG. 4 shows a view onto the right side of the screed with lateral slider of FIG. 1;

FIG. 5 shows a view onto the top side of the screed with lateral slider of FIG. 1;

FIG. 6 shows a perspective view onto the rear side, right side and top side of the screed with lateral slider of FIG. 1; and, FIG. 7 shows a further perspective view onto the front side, left side and top side of the screed with lateral slider of FIG. 1.

**1 Claim, 7 Drawing Sheets**





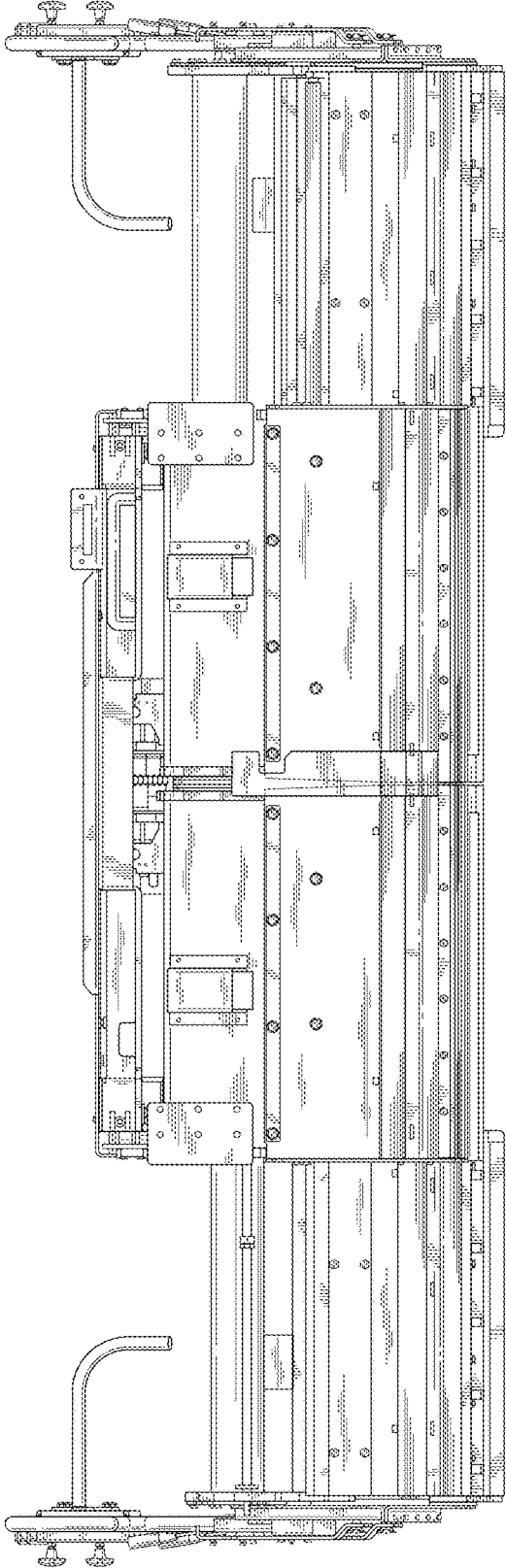


FIG. 1

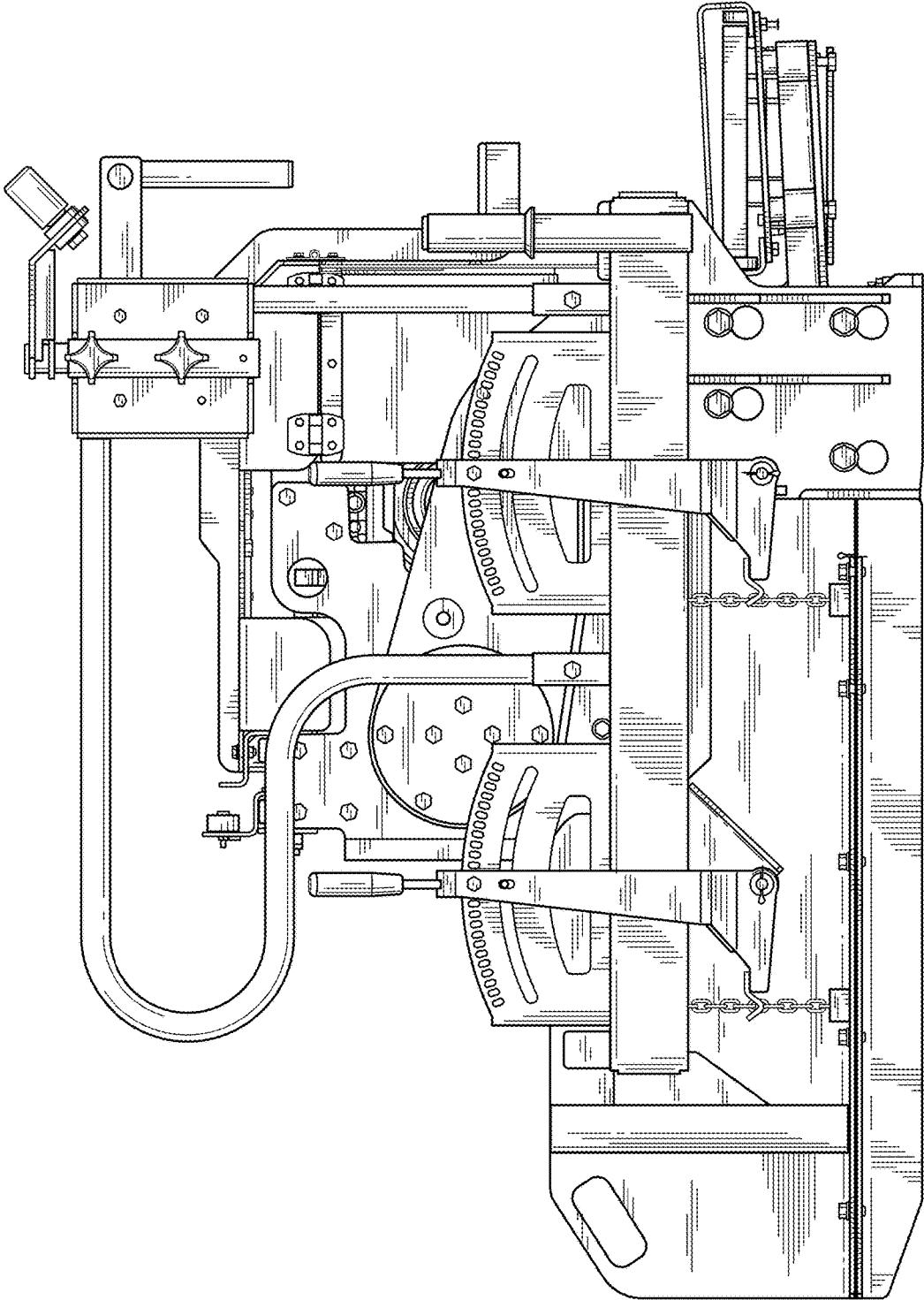


FIG. 2

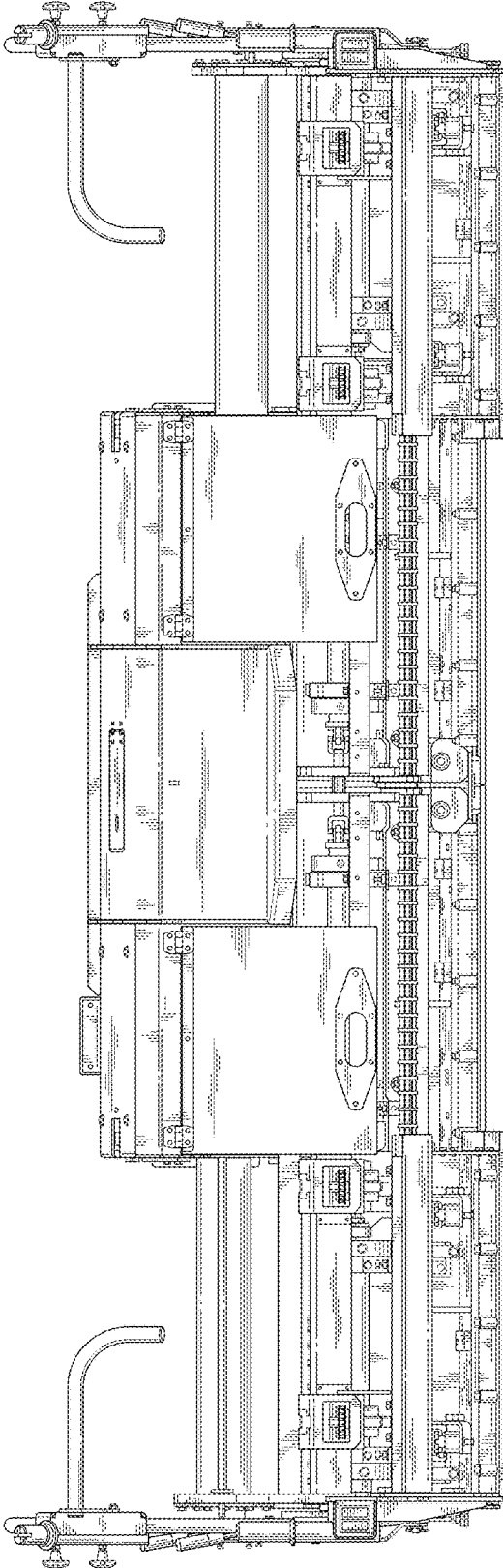


FIG. 3

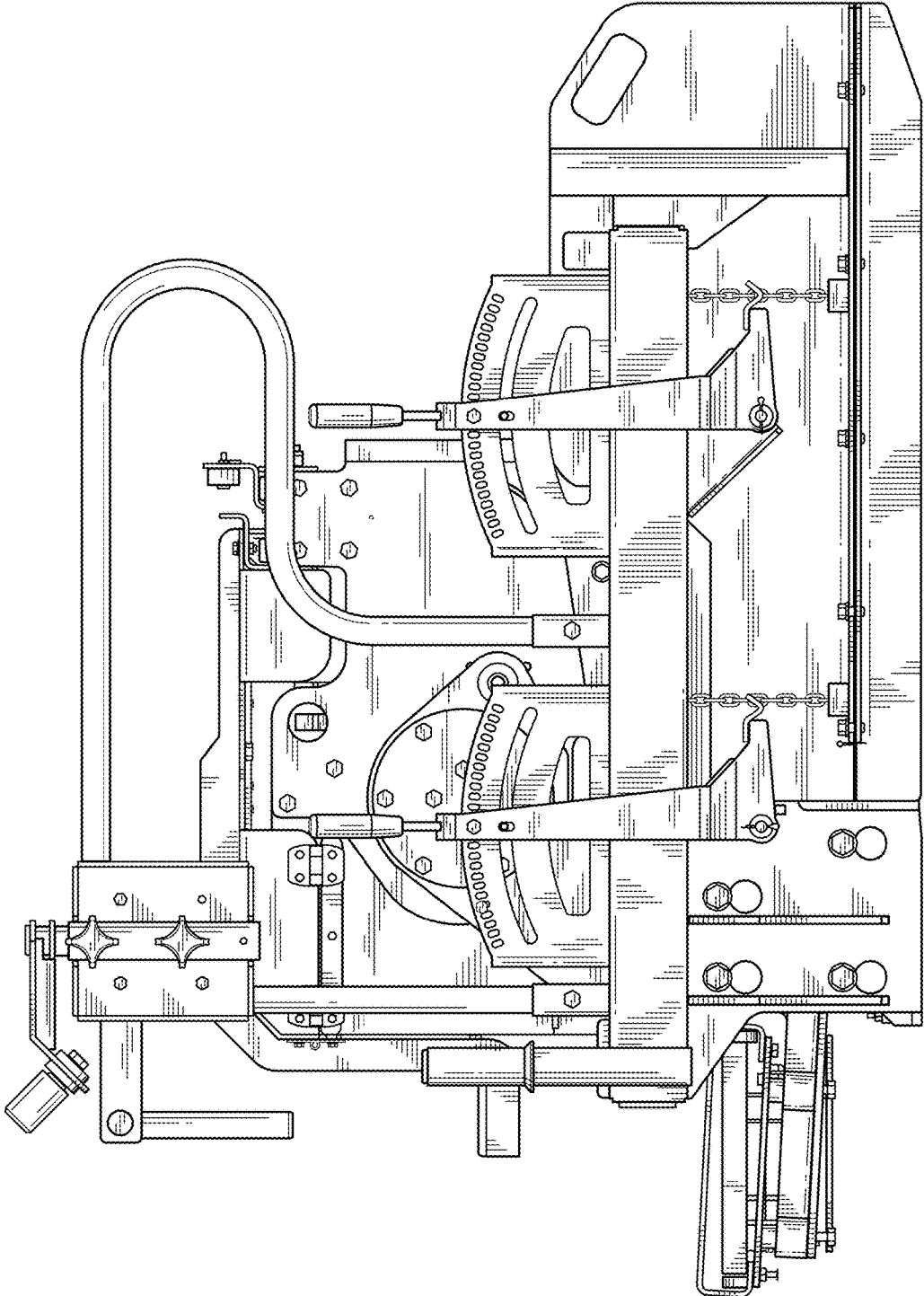


FIG. 4

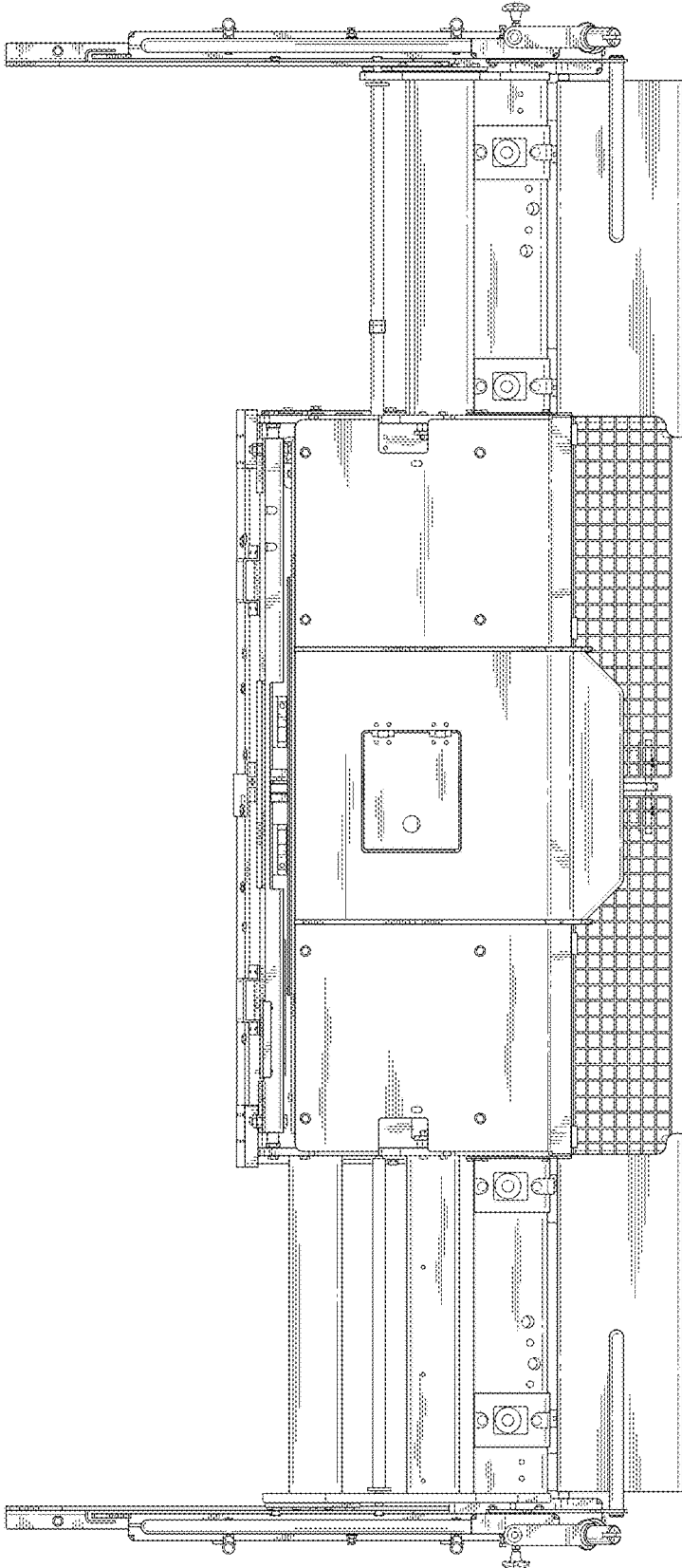


FIG. 5

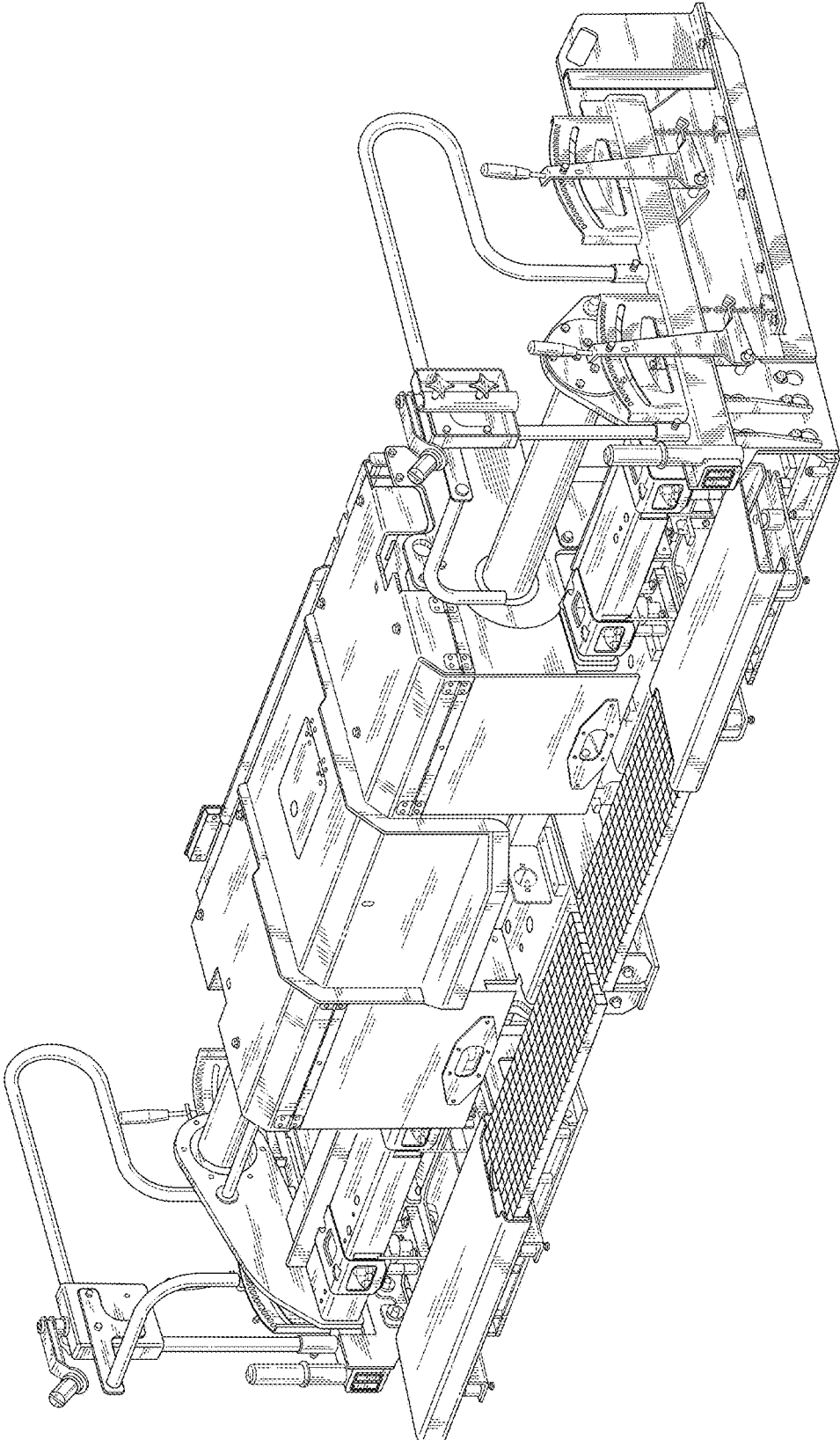


FIG. 6



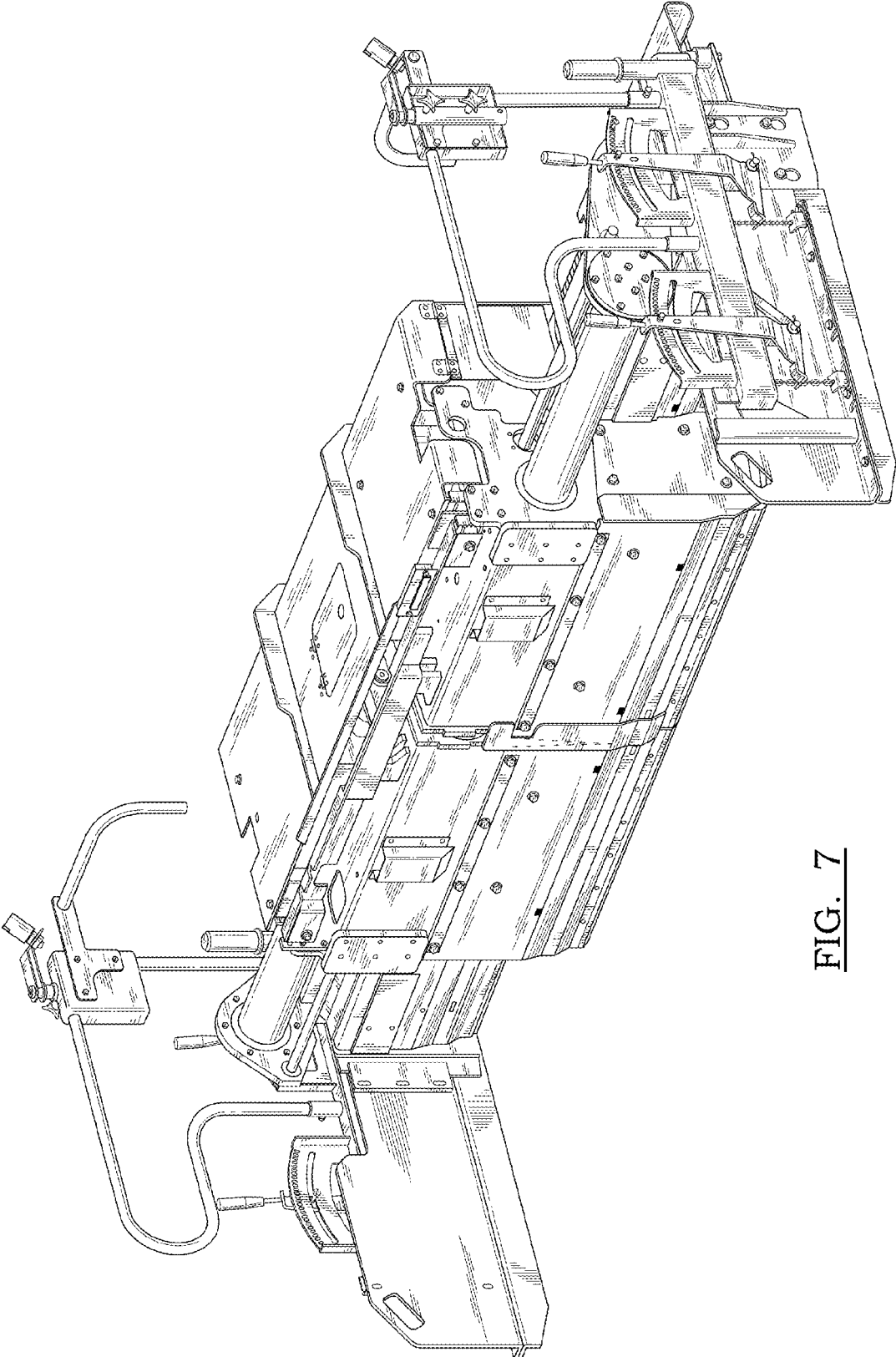


FIG. 7