

(19) World Intellectual Property Organization  
International Bureau



(43) International Publication Date  
12 October 2006 (12.10.2006)

PCT

(10) International Publication Number  
WO 2006/107877 A3

- (51) International Patent Classification:  
A61B 1/303 (2006.01)
- (21) International Application Number:  
PCT/US2006/012320
- (22) International Filing Date: 3 April 2006 (03.04.2006)
- (25) Filing Language: English
- (26) Publication Language: English
- (30) Priority Data:  
60/667,505 1 April 2005 (01.04.2005) US  
60/735,576 10 November 2005 (10.11.2005) US
- (71) Applicant (for all designated States except US): WELCH  
ALLYN, INC. [US/US]; 4341 State Street Road, Skaneateles  
Falls, NY 13153 (US).
- (72) Inventors; and
- (75) Inventors/Applicants (for US only): DANNA, Dominick  
[US/US]; 5055 Majors Drive, Syracuse, NY 13215 (US).  
KRAUTER, Allan, I. [US/US]; 2224 West Lake Road,  
Skaneateles, NY 13152 (US). VIVENZIO, Robert, L.

[US/US]; 5825 Lakeview Drive, Auburn, NY 13021 (US).  
SADDLEMIRE, Dale, C. [US/US]; 5 Snyder Drive,  
Cortland, NY 13045 (US). MCMAHON, Michael, T.  
[US/US]; 4391 Outlook Drive, Syracuse, NY 13215 (US).  
GOLDFAIN, Ervin, R. [US/US]; 4422 Cleveland Road,  
Syracuse, NY 13215 (US).

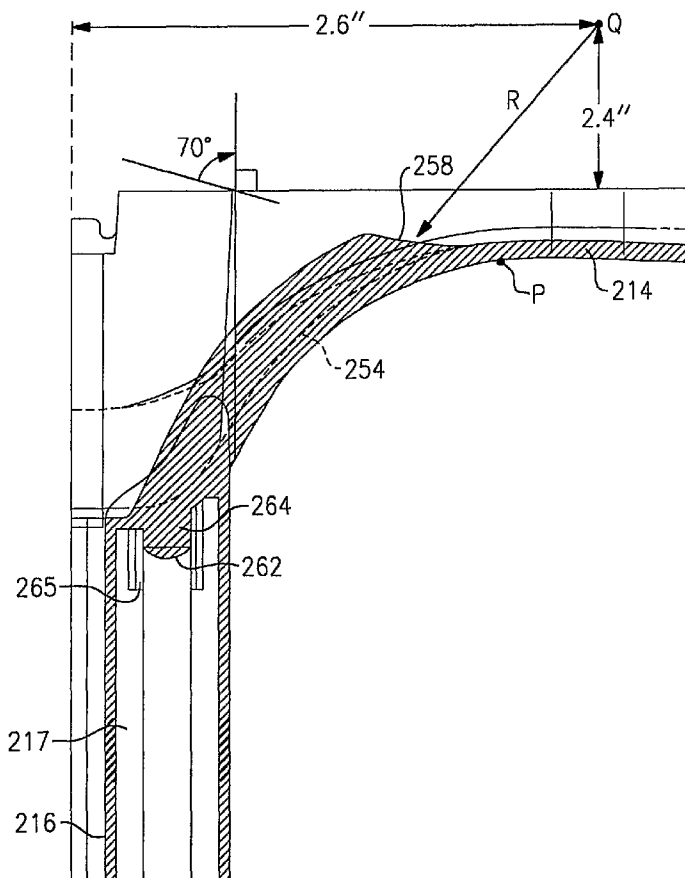
(74) Agent: BILINSKI, Peter, J.; 101 South Salina Street, 4th  
Floor, Syracuse, NY 13202 (US).

(81) Designated States (unless otherwise indicated, for every  
kind of national protection available): AE, AG, AL, AM,  
AT, AU, AZ, BA, BB, BG, BR, BW, BY, BZ, CA, CH, CN,  
CO, CR, CU, CZ, DE, DK, DM, DZ, EC, EE, EG, ES, FI,  
GB, GD, GE, GH, GM, HR, HU, ID, IL, IN, IS, JP, KE,  
KG, KM, KN, KP, KR, KZ, LC, LK, LR, LS, LT, LU, LV,  
LY, MA, MD, MG, MK, MN, MW, MX, MZ, NA, NG, NI,  
NO, NZ, OM, PG, PH, PL, PT, RO, RU, SC, SD, SE, SG,  
SK, SL, SM, SY, TJ, TM, TN, TR, TT, TZ, UA, UG, US,  
UZ, VC, VN, YU, ZA, ZM, ZW.

(84) Designated States (unless otherwise indicated, for every  
kind of regional protection available): ARIPO (BW, GH,

[Continued on next page]

(54) Title: VAGINAL SPECULUM



(57) Abstract: A vaginal speculum includes an upper blade member and a lower blade member that is movably connected with respect to the upper blade. The lower blade member includes an integrated handle portion having a receiving cavity configured for interchangeably receiving one of a first illumination assembly and a substantially different second illumination assembly. The first illumination assembly differs from the second illumination assembly by at least one structural and/or functional aspect, such as the form of power supply, the type of light source and physical size of the assembly housing.

WO 2006/107877 A3



GM, KE, LS, MW, MZ, NA, SD, SL, SZ, TZ, UG, ZM, ZW), Eurasian (AM, AZ, BY, KG, KZ, MD, RU, TJ, TM), European (AT, BE, BG, CH, CY, CZ, DE, DK, EE, ES, FI, FR, GB, GR, HU, IE, IS, IT, LT, LU, LV, MC, NL, PL, PT, RO, SE, SI, SK, TR), OAPI (BF, BJ, CF, CG, CI, CM, GA, GN, GQ, GW, ML, MR, NE, SN, TD, TG).

**Published:**

— *with international search report*

**(88) Date of publication of the international search report:**  
27 December 2007

*For two-letter codes and other abbreviations, refer to the "Guidance Notes on Codes and Abbreviations" appearing at the beginning of each regular issue of the PCT Gazette.*

**INTERNATIONAL SEARCH REPORT**

International application No.

PCT/US06/12320

**A. CLASSIFICATION OF SUBJECT MATTER**  
 IPC: **A61B 1/303( 2006.01)**

USPC: 600/184,220  
 According to International Patent Classification (IPC) or to both national classification and IPC

**B. FIELDS SEARCHED**

Minimum documentation searched (classification system followed by classification symbols)  
 U.S. : 600/184,220

Documentation searched other than minimum documentation to the extent that such documents are included in the fields searched

Electronic data base consulted during the international search (name of data base and, where practicable, search terms used)


**C. DOCUMENTS CONSIDERED TO BE RELEVANT**

Category *	Citation of document, with indication, where appropriate, of the relevant passages	Relevant to claim No.
X	US 2004/0186355 A! (Strong et al.) 23 Sept. 2004 (23.09.2004) entire document	1-24,27-28,31-38,40-42,44,73-77,80-94,96-103,106,110-116
---		
Y	US 6,379,296 B1 (Baggett) 30 April 2002 (30.04.2002) entire document	103,106,110-116
Y	US 6,432,045 B2 (Lemperle et al.) 13 Aug. 2002 (13.08.2002) entire document	39,45-53,56-69,71-72,108-109

Further documents are listed in the continuation of Box C.  See patent family annex.

\* Special categories of cited documents:

"A" document defining the general state of the art which is not considered to be of particular relevance	"T" later document published after the international filing date or priority date and not in conflict with the application but cited to understand the principle or theory underlying the invention
"E" earlier application or patent published on or after the international filing date	"X" document of particular relevance; the claimed invention cannot be considered novel or cannot be considered to involve an inventive step when the document is taken alone
"L" document which may throw doubts on priority claim(s) or which is cited to establish the publication date of another citation or other special reason (as specified)	"Y" document of particular relevance; the claimed invention cannot be considered to involve an inventive step when the document is combined with one or more other such documents, such combination being obvious to a person skilled in the art
"O" document referring to an oral disclosure, use, exhibition or other means	"&" document member of the same patent family
"P" document published prior to the international filing date but later than the priority date claimed	

Date of the actual completion of the international search 02 April 2007 (02.04.2007)	Date of mailing of the international search report <b>26 SEP 2007</b>
Name and mailing address of the ISA/US Mail Stop PCT, Attn: ISA/US Commissioner of Patents P.O. Box 1450 Alexandria, Virginia 22313-1450 Facsimile No. (571) 273-3201	Authorized officer  Patrick Kilkenny Telephone No. 571-272-8684