



US00D572149S

(12) **United States Design Patent**
Mangino et al.

(10) **Patent No.:** **US D572,149 S**
(45) **Date of Patent:** **** Jul. 1, 2008**

(54) **SMALL INVERTED TRAY**
(75) Inventors: **Tom Mangino**, Carmel, CA (US); **Julio Loaliza**, Monterey, CA (US)

7,083,818 B2 8/2006 Pratte
D539,666 S * 4/2007 Chou D9/737
D554,531 S * 11/2007 Lovett D9/737

(73) Assignee: **Mann Packing Co., Inc.**, Salinas, CA (US)

(**) Term: **14 Years**

(21) Appl. No.: **29/274,890**

(22) Filed: **Jun. 5, 2007**

(51) **LOC (8) Cl.** **09-03**

(52) **U.S. Cl.** **D9/737**

(58) **Field of Classification Search** D9/414,
D9/417, 420, 421, 424-426, 430-433, 737,
D9/478, 479, 756, 759, 760, 761; D7/549,
D7/553.2, 590, 601, 602, 609, 610, 612, 614,
D7/629; D3/201, 203.1, 203.2, 203.3; 206/45.28,
206/232, 278, 457, 509, 511, 556, 558, 631,
206/633, 820; 220/4.23, 4.27, 23.4, 23.6,
220/500, 556, 666; 229/120.02, 120.011,
229/123.1, 125.17, 125.35, 131.1, 160, 162.1,
229/162.3, 406, 906; 426/114, 115, 119,
426/120, 393, 394

See application file for complete search history.

(56) **References Cited**

U.S. PATENT DOCUMENTS

4,328,254 A * 5/1982 Waldburger 426/393
4,440,303 A * 4/1984 Seager 206/509
D282,245 S * 1/1986 Yeung D9/425
D451,769 S * 12/2001 Stanos et al. D7/629
D482,280 S 11/2003 Pratte
D494,857 S * 8/2004 Chen et al. D9/759
D505,323 S * 5/2005 Ramirez et al. D9/425
D515,939 S * 2/2006 Al Sanea D9/737

OTHER PUBLICATIONS

Clear Lam Packing, Inc. "Engineered Packaging Solutions"; Mann's Sunny Shores Large Tray & Lid Assembly; 1 page; Mar. 2005.
Clear Lam Packing, Inc. "Engineered Packaging Solutions"; Mann's Sunny Shores Medium Tray; 1 page; Mar. 2005.
U.S. Appl. No. 11/408,442, filed Apr. 20, 2006.
U.S. Appl. No. 11/408,443, filed Apr. 20, 2006.
U.S. Appl. No. 11/409,354, filed Apr. 20, 2006.
Mann's Sunny Shores Medium & Large Packages; Aug. 1, 2005; 5 pages.
Mann's Sunny Shores Small Package; Aug. 1, 2005; 3 pages.

* cited by examiner

Primary Examiner—Stella M. Reid

Assistant Examiner—Shanda C Hill

(74) *Attorney, Agent, or Firm*—Nixon & Vanderhye PC

(57) **CLAIM**

The ornamental design for a "small inverted tray," as shown and described.

DESCRIPTION

FIG. 1 is a perspective view of a small inverted tray from the front, above and right showing our new design;

FIG. 2 is a front elevational view thereof, the rear elevation being a mirror image thereof;

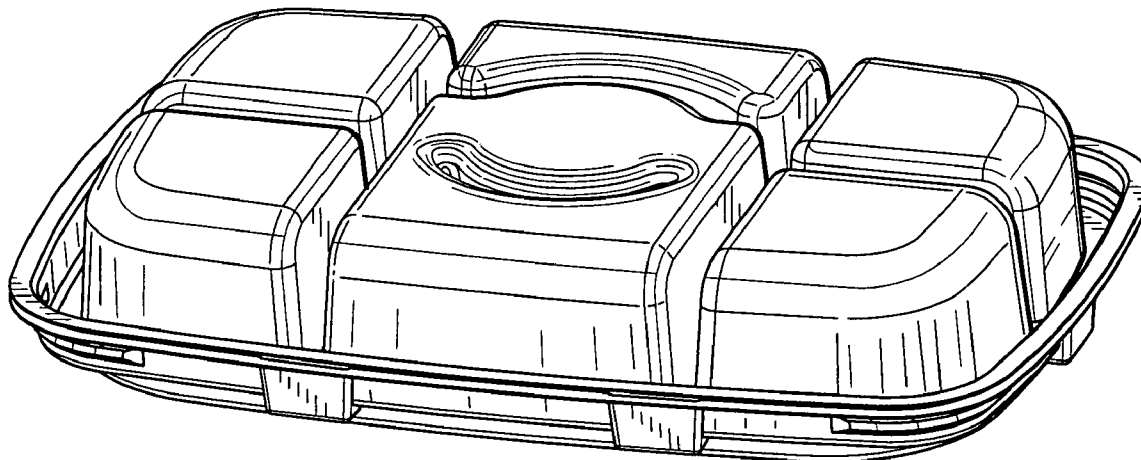
FIG. 3 is a top plan view thereof;

FIG. 4 is a bottom plan view; thereof

FIG. 5 is a right end view thereof, the left end view being a mirror image thereof; and,

FIG. 6 is a perspective view thereof from below.

1 Claim, 3 Drawing Sheets



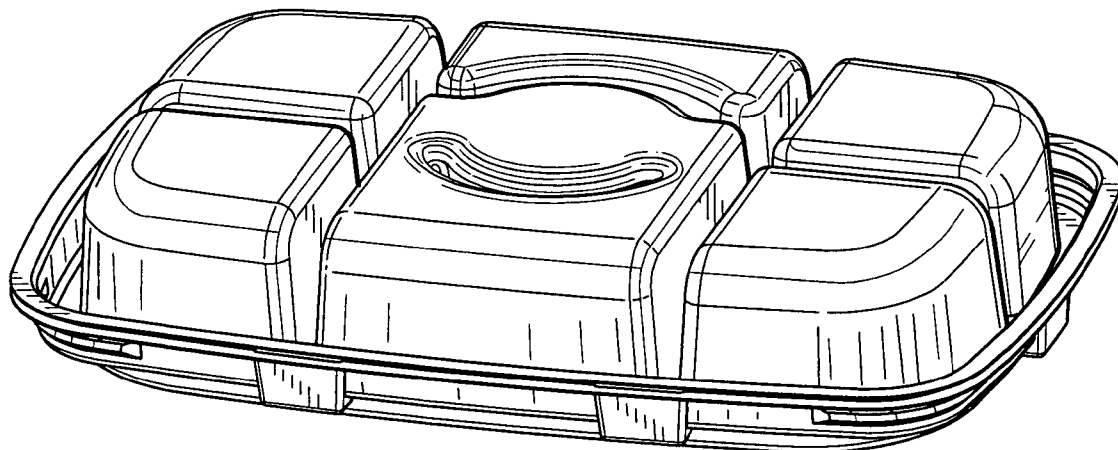


FIG. 1

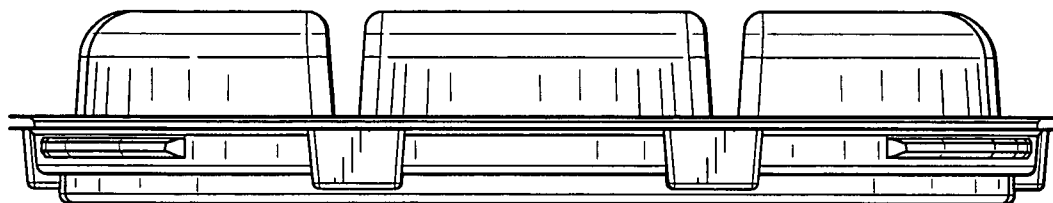


FIG. 2

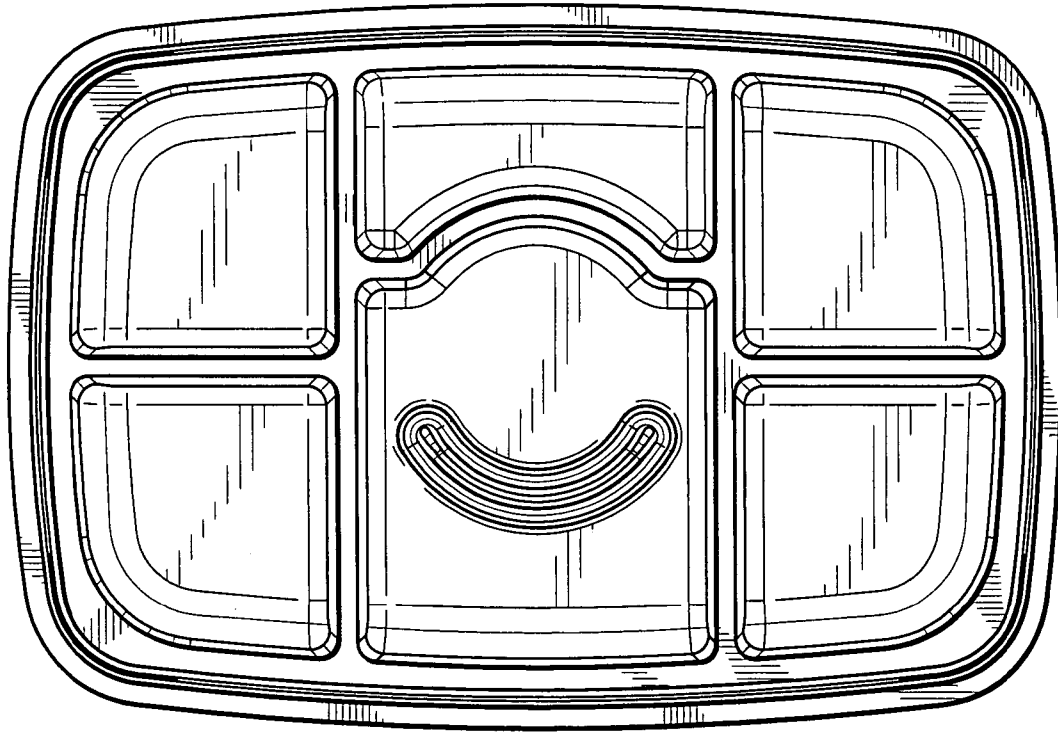


FIG. 3

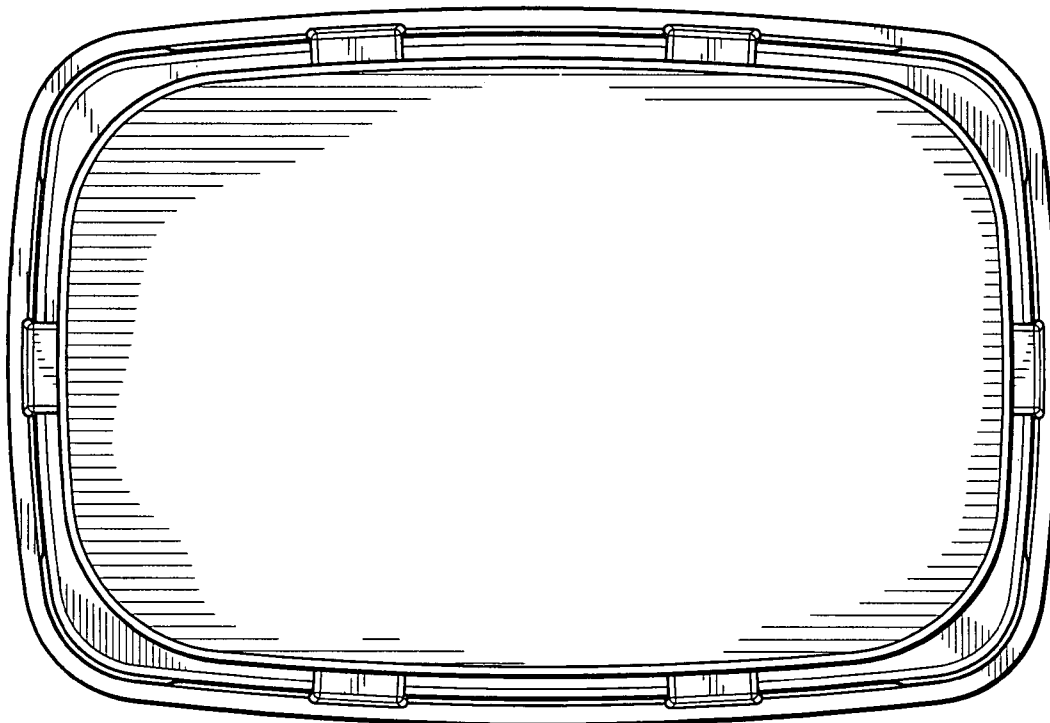


FIG. 4

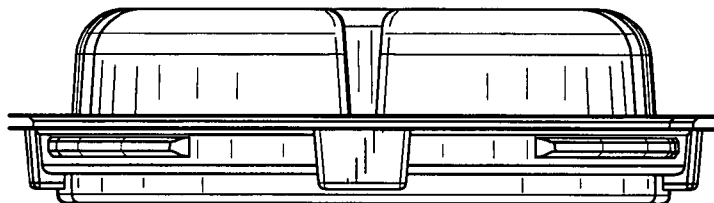


FIG. 5

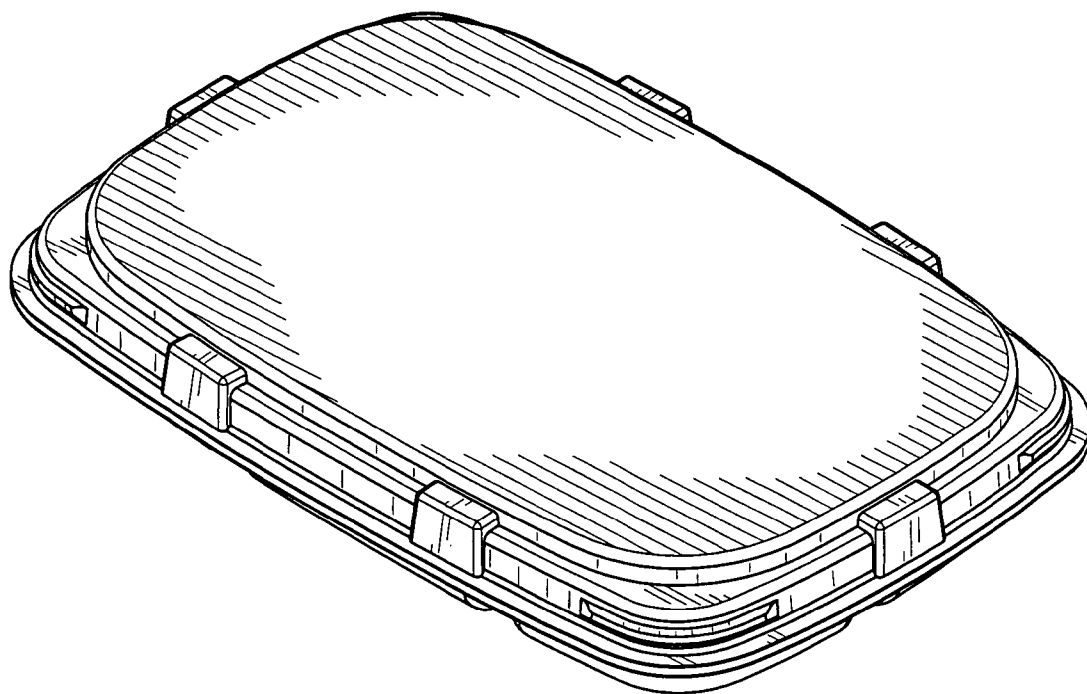


FIG. 6