

(12) **UK Patent Application** (19) **GB** (11) **2 401 134** (13) **A**

(43) Date of Printing by UK Office **03.11.2004**

(21) Application No: **0415090.0**
(22) Date of Filing: **16.01.2003**
(30) Priority Data:
(31) **0201955** (32) **29.01.2002** (33) **GB**
(86) International Application Data:
PCT/GB2003/000138 En 16.01.2003
(87) International Publication Data:
WO2003/064813 En 07.08.2003

(51) INT CL⁷:
E21B 43/10
(52) UK CL (Edition W):
E1F FAC FAC9 FAW FAW9 FLA
(56) Documents Cited by ISA:
GB 2272924 A GB 2261238 A
WO 1998/000626 A US 4890682 A
US 4384625 A US 4058163 A
(58) Field of Search by ISA:
INT CL⁷ **E21B**
Other: **EPO-Internal, WPI Data, PAJ**

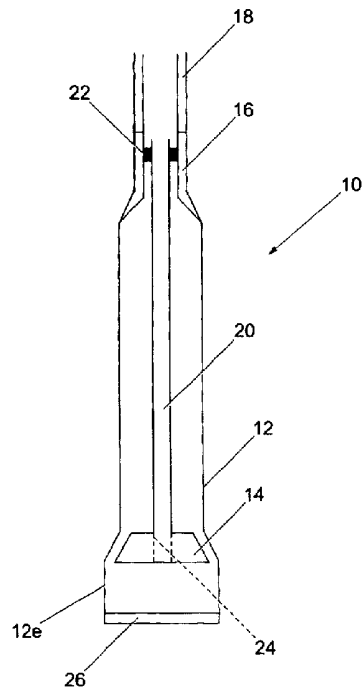
(71) Applicant(s):
e2TECH Limited
(Incorporated in the United Kingdom)
C/o Weatherford International Inc,
515 Post Oak Blvd, Suite 600, Houston,
Texas 77027, United States of America

(72) Inventor(s):
Phillip Michael Burge

(continued on next page)

(54) Abstract Title: **Apparatus and method for expanding tubular members**

(57) Apparatus and methods of expanding tubular members are disclosed. In one embodiment, the apparatus includes a vibrating device (16) that is capable of imparting a longitudinal and/or lateral and/or oblique vibration to a tubular member (12) or string (18) as it is being run into a borehole or wellbore. In another embodiment, the vibrating device (16) imparts a longitudinal and/or lateral and/or oblique vibration to a tubular member (12) and/or expander device (14), as the tubular member (12) is being radially expanded by the expander device (14).



GB 2 401 134 A

GB 2401134 A continuation

(74) Agent and/or Address for Service:
Murgitroyd & Company
Scotland House, 165-169 Scotland Street,
GLASGOW, G5 8PL, United Kingdom