

US00D554116S

(12) **United States Design Patent** (10) **Patent No.:** **US D554,116 S**
Liu et al. (45) **Date of Patent:** **** Oct. 30, 2007**

(54) **INTERNET TELEPHONE BASE** 6,891,351 B2 * 5/2005 Chen 320/115
D505,932 S * 6/2005 Eckholm et al. D14/138
(75) Inventors: **Calvin Y. Liu**, Irvine, CA (US); D514,079 S * 1/2006 Lai D14/138
Hung-Bing Chen, Tustin, CA (US) D524,782 S * 7/2006 Sun et al. D14/138
D525,229 S * 7/2006 Friesen et al. D14/138
(73) Assignee: **Cisco Technology, Inc.**, San Jose, CA D529,440 S * 10/2006 Lodato et al. D13/108
(US) D532,005 S * 11/2006 Leith D14/253
2004/0180703 A1 * 9/2004 Kim et al. 455/575.1

(**) **Term:** **14 Years**

FOREIGN PATENT DOCUMENTS

(21) **Appl. No.:** **29/250,094**

WO DM/062185 * 12/2002
WO DM/068112 * 8/2006

(22) **Filed:** **Nov. 1, 2006**

OTHER PUBLICATIONS

(51) **LOC (8) Cl.** **14-03**
(52) **U.S. Cl.** **D14/253; D13/108**
(58) **Field of Classification Search** D14/137-138,
D14/147-148, 156, 218, 247-248, 341-347,
D14/496, 251-253, 434; D16/208; D21/329,
D21/331, 333, 517; 348/14.01-14.02; 361/814;
379/433.01-433.13, 454-455; 455/556.1-566.2,
455/575.1, 575.3, 575.4, 566, 90.3; 320/114-115
See application file for complete search history.

“Sharp 550 SH”, 1 p including photo, [online], <URL:http://www.gsmarena.com/sharp_550sh-1474.php>, announced Feb. 2002, retrieved Feb. 28, 2007.*

* cited by examiner

Primary Examiner—Charles A. Rademaker
Assistant Examiner—Carla Jobe Wright
(74) *Attorney, Agent, or Firm*—MacPherson Kwok Chen & Heid LLP; Tom Chen

(56) **References Cited**

(57) **CLAIM**

U.S. PATENT DOCUMENTS

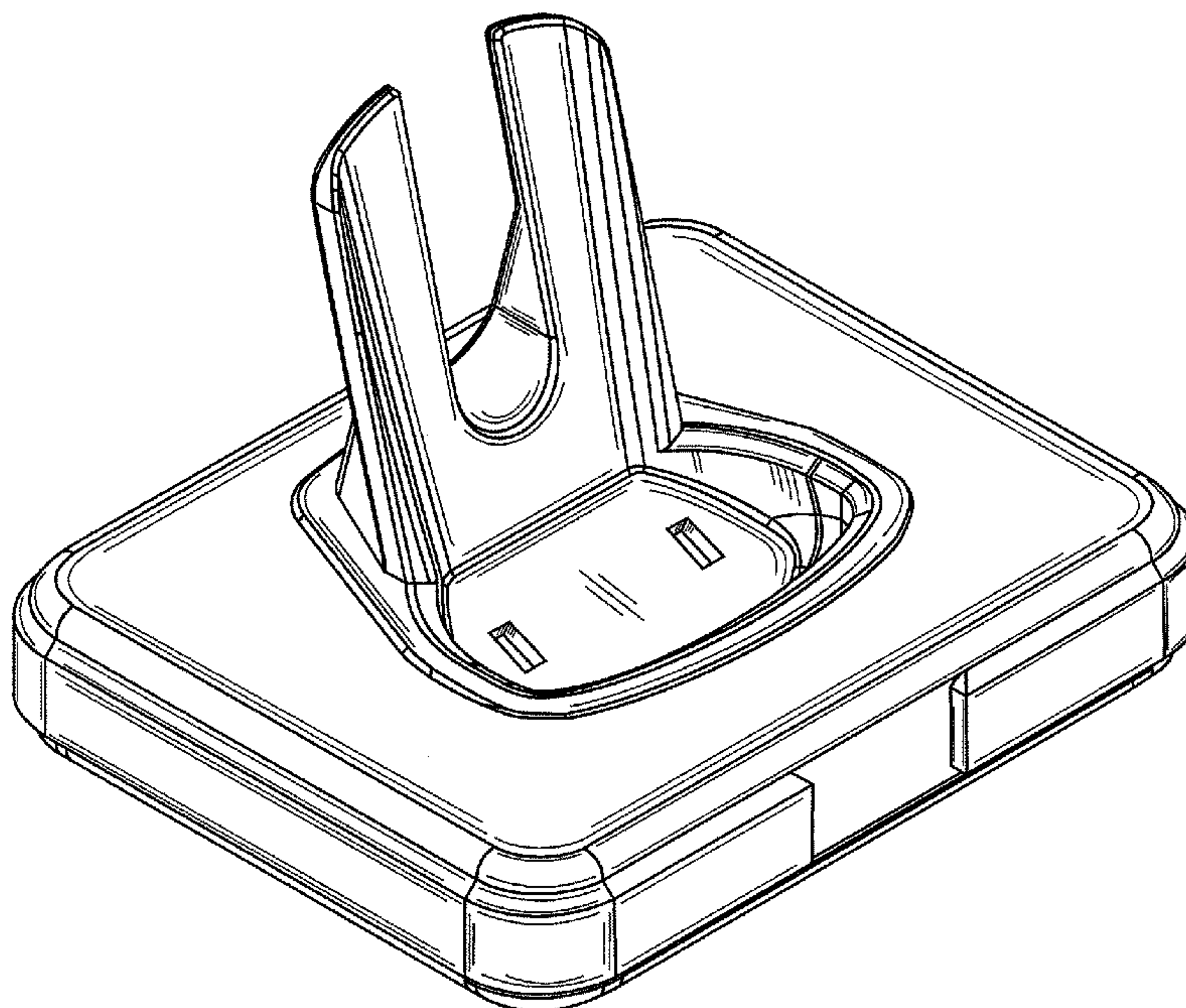
The ornamental design for an internet telephone base, as shown and described.

D301,456 S * 6/1989 Siddoway D13/107
D324,370 S * 3/1992 Lay et al. D13/108
D327,248 S * 6/1992 Hotsumi et al. D13/108
D351,132 S * 10/1994 Brooks et al. D13/108
D354,041 S * 1/1995 Scheid et al. D13/108
D359,474 S * 6/1995 Palatov D13/108
D374,858 S * 10/1996 Chu D13/108
D395,280 S * 6/1998 Phelps D13/108
D420,989 S * 2/2000 Sandhu et al. D14/447
D471,906 S * 3/2003 Salazar et al. D14/253
D477,823 S * 7/2003 Lavello, Sr. D14/253

DESCRIPTION

FIG. 1 is a top perspective view of an internet telephone base showing our new design;
FIG. 2 is a side view thereof; and,
FIG. 3 is a front view thereof.

1 Claim, 3 Drawing Sheets



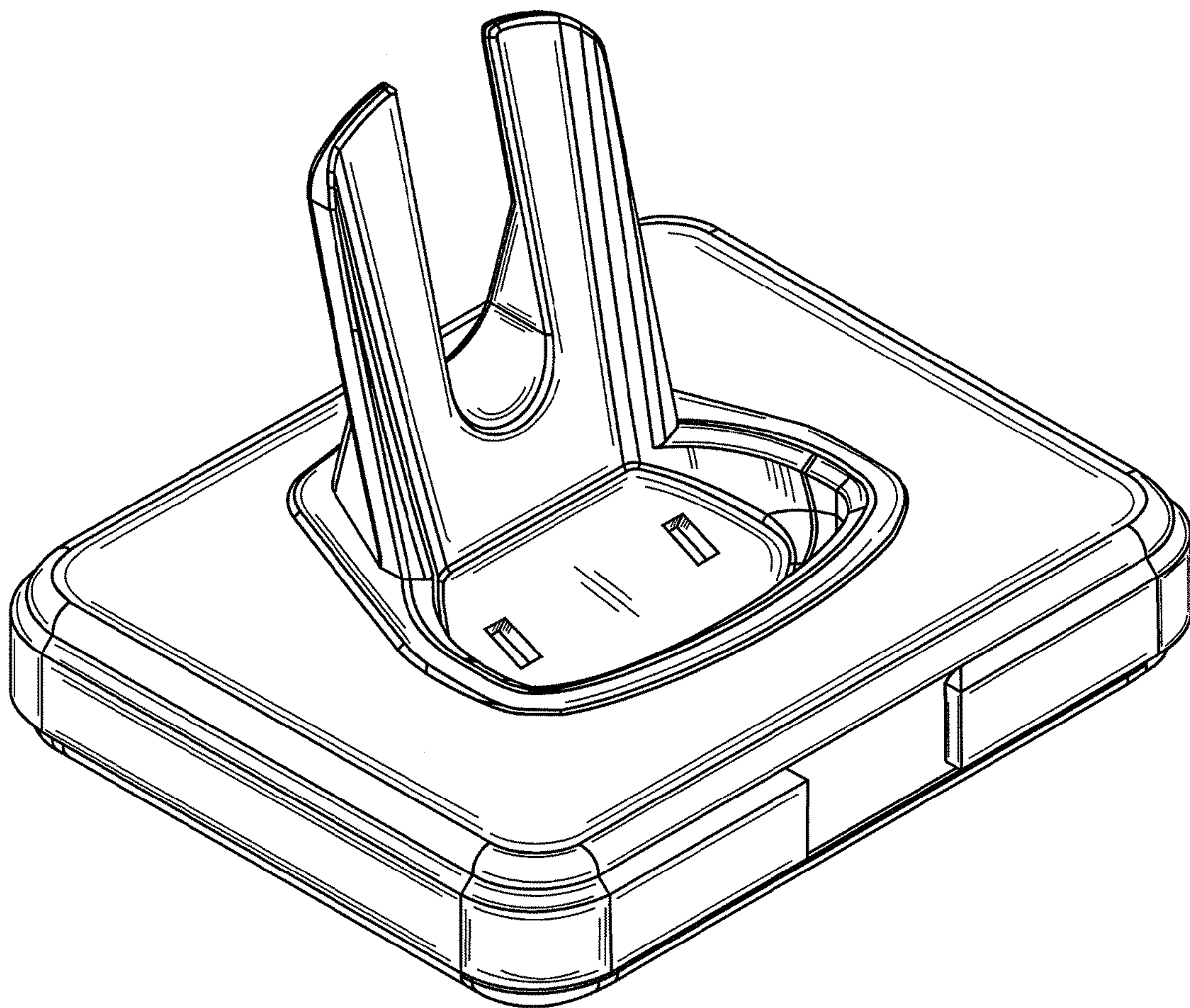


FIG. 1

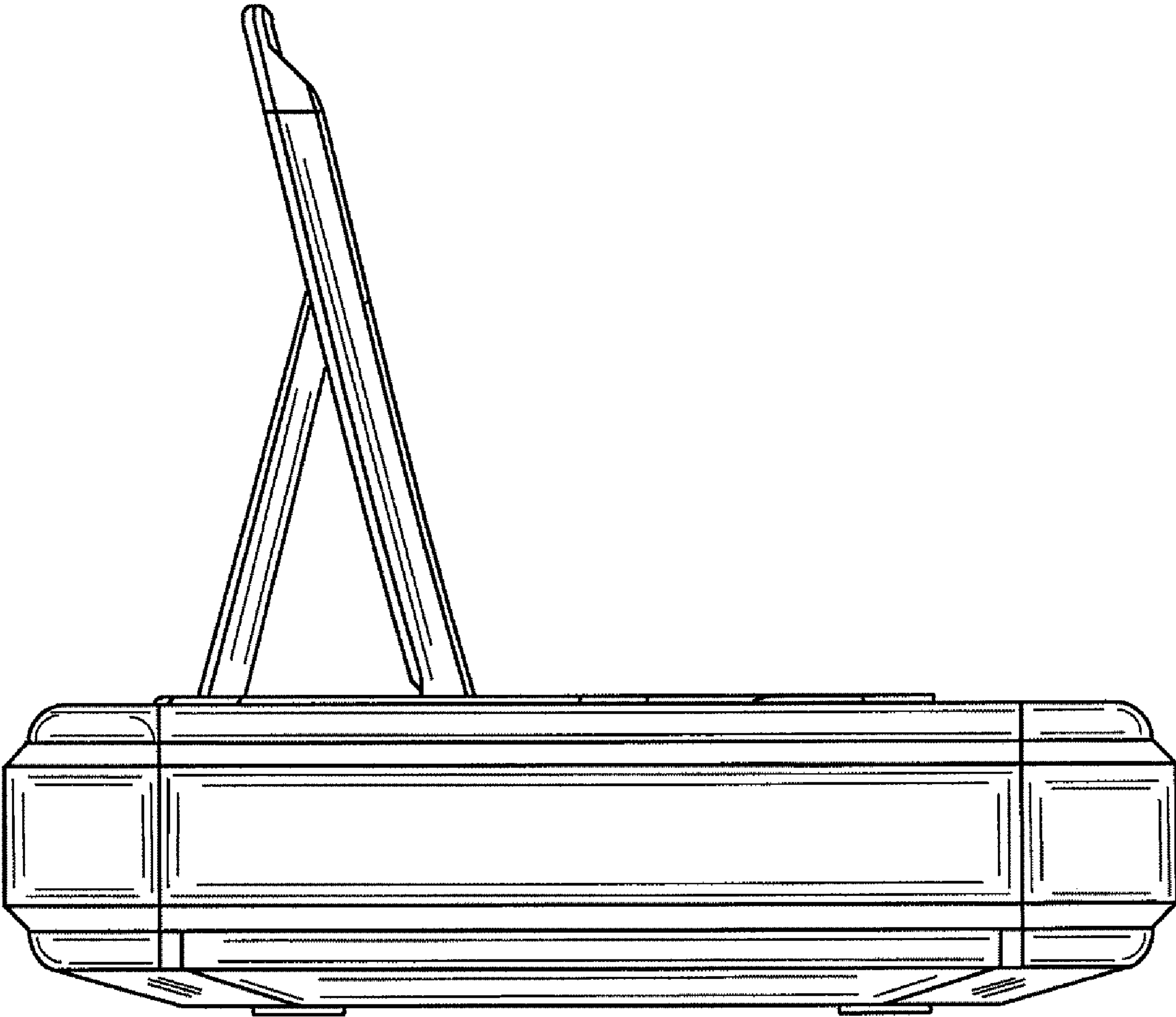


FIG. 2

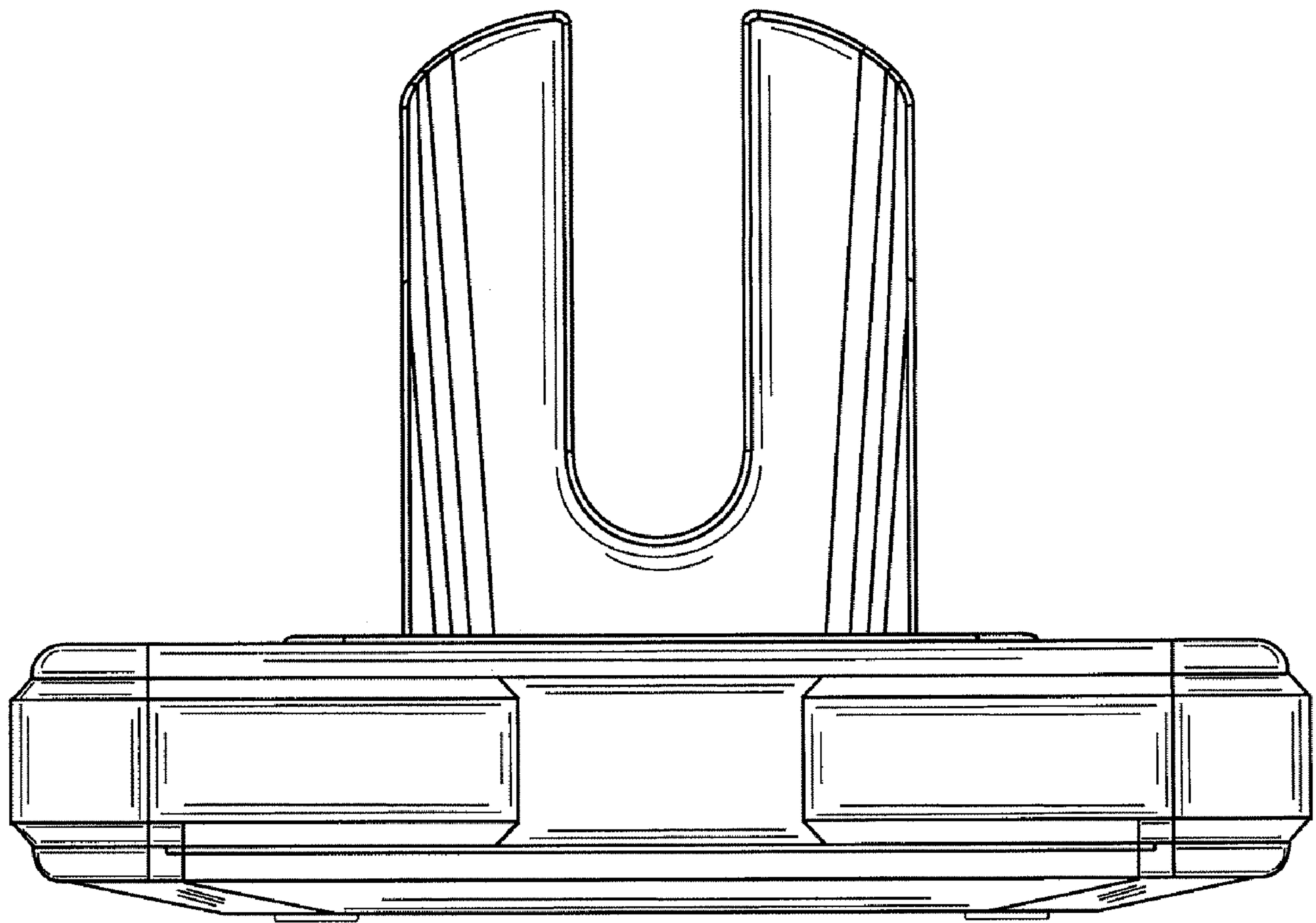


FIG. 3