



US00D920579S

(12) **United States Design Patent**
Hur et al.

(10) **Patent No.:** **US D920,579 S**

(45) **Date of Patent:** **** May 25, 2021**

(54) **COSMETIC CONTAINER**
(71) Applicant: **ELC Management LLC**, Melville, NY (US)
(72) Inventors: **Henry Hur**, Douglaston, NY (US); **Jill Marie Hilton**, Merrick, NY (US)
(73) Assignee: **ELC MANAGEMENT LLC**, Melville, NY (US)

D650,280 S * 12/2011 de Peyerimhoff D9/504
D655,168 S * 3/2012 In D9/504
D697,800 S * 1/2014 Villarreal D9/504
D759,897 S * 6/2016 Eberlein D28/82
D824,765 S * 8/2018 Metals D9/504
D842,110 S * 3/2019 Marina D9/504
D860,542 S * 9/2019 Huchet D28/88
D886,372 S * 6/2020 Weinrich D9/504
D887,272 S * 6/2020 Bhat D9/504
D891,938 S * 8/2020 Weinrich D9/723

* cited by examiner

(**) Term: **15 Years**

Primary Examiner — Jennifer Rivard

Assistant Examiner — Alison M Ofstun

(21) Appl. No.: **29/729,419**

(74) *Attorney, Agent, or Firm* — Peter Giancana

(22) Filed: **Mar. 26, 2020**

(51) **LOC (13) Cl.** **28-03**

(52) **U.S. Cl.**
USPC **D28/82; D9/504**

(58) **Field of Classification Search**
USPC D28/4, 8.1, 9, 76, 85–90, 91.1, 99;
D9/451, 629, 503–504, 500, 529, 575,
D9/686, 723
CPC A45D 33/22; A45D 33/24; A45D 33/26;
A45D 33/28; A45D 40/00; A45D 40/20;
A45D 40/24; A45D 34/00; A45D 34/04;
A45D 34/06; A45D 34/041; A45D 40/02;
A45D 40/06; A45D 40/18; A45D 40/262
See application file for complete search history.

(57) **CLAIM**

The ornamental design for a cosmetic container, substantially as shown and described.

DESCRIPTION

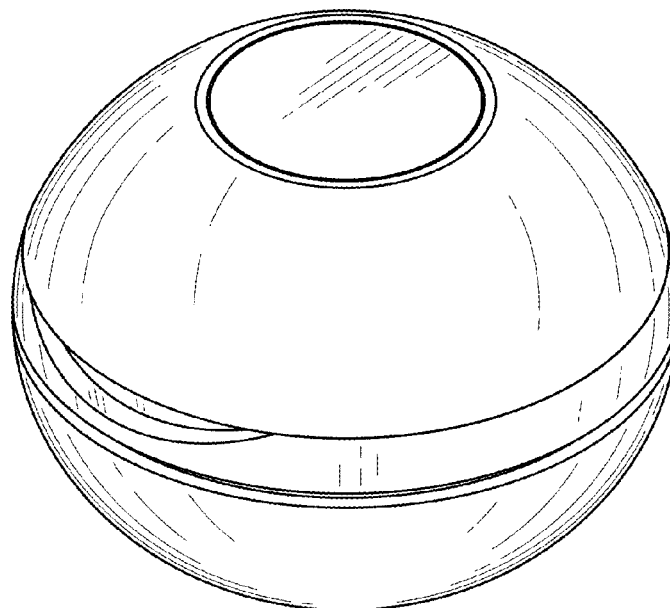
FIG. 1 is a top perspective view of our new design for a cosmetic container;
FIG. 2 is a bottom perspective view of the cosmetic container shown in FIG. 1;
FIG. 3 is a front elevation view of the cosmetic container shown in FIG. 1;
FIG. 4 is a rear elevation view of the cosmetic container shown in FIG. 1;
FIG. 5 is a left side elevation view of the cosmetic container shown in FIG. 1;
FIG. 6 is a right side elevation view of the cosmetic container shown in FIG. 1;
FIG. 7 is a top plan view of the cosmetic container shown in FIG. 1; and,
FIG. 8 is a bottom plan view of the cosmetic container shown in FIG. 1.

(56) **References Cited**

U.S. PATENT DOCUMENTS

D337,177 S * 7/1993 Tiramani D28/76
D408,285 S * 4/1999 Favre D9/503
6,102,209 A * 8/2000 D'Andrea A45D 40/0068
206/581
D543,848 S * 6/2007 Mettler D9/504
D581,280 S * 11/2008 Oates D28/76
D627,650 S * 11/2010 Yeung D9/504

1 Claim, 5 Drawing Sheets



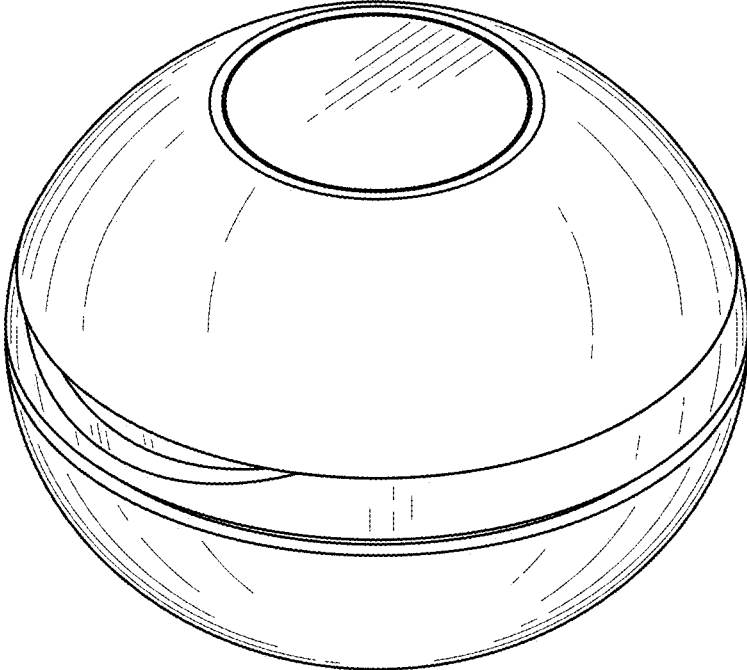


FIG. 1

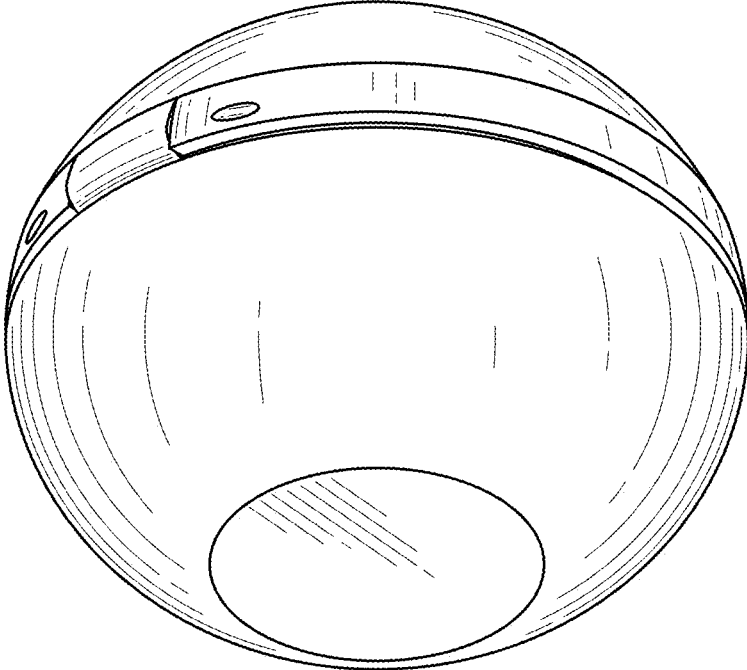


FIG. 2

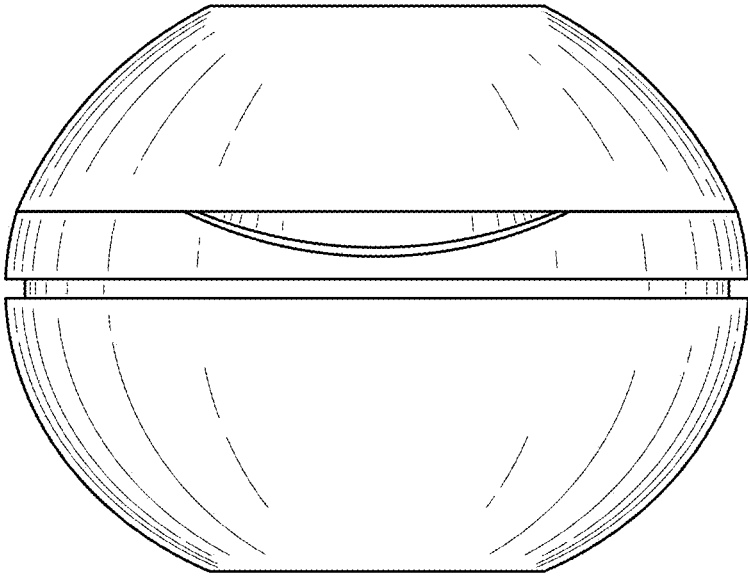


FIG. 3

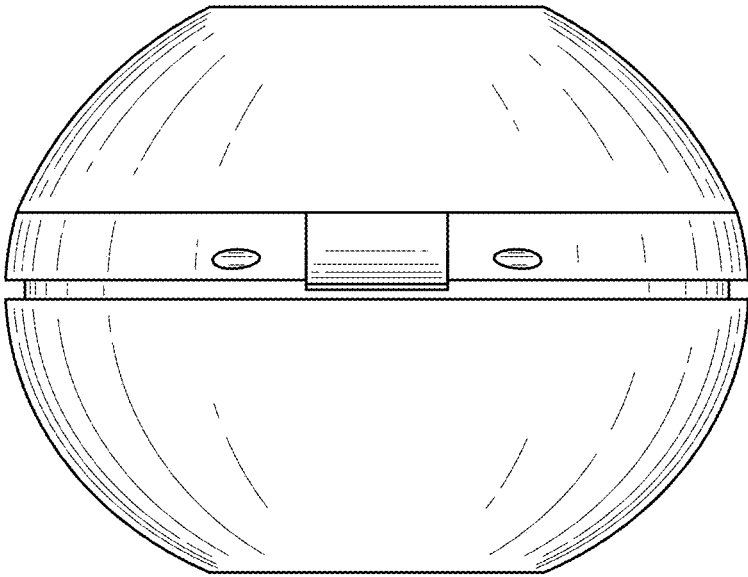


FIG. 4

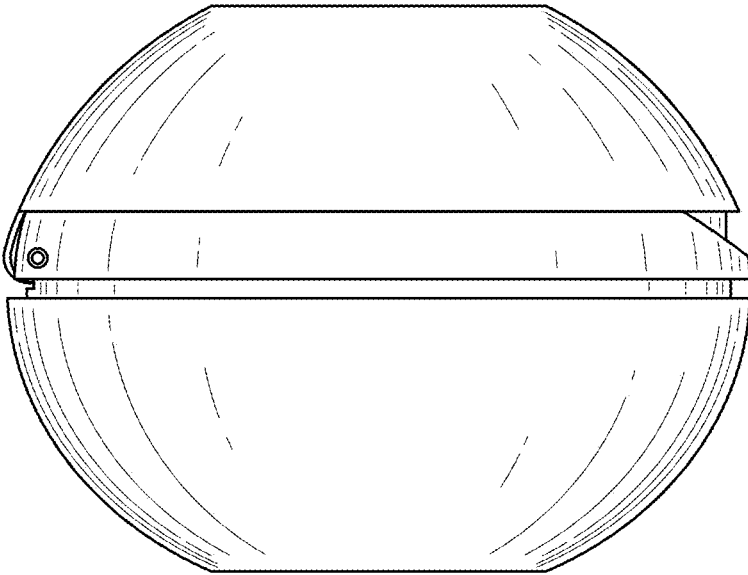


FIG. 5

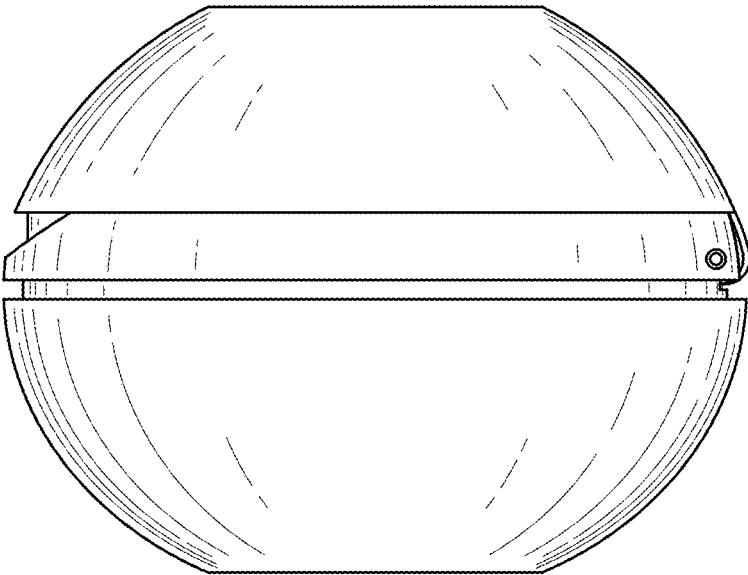


FIG. 6

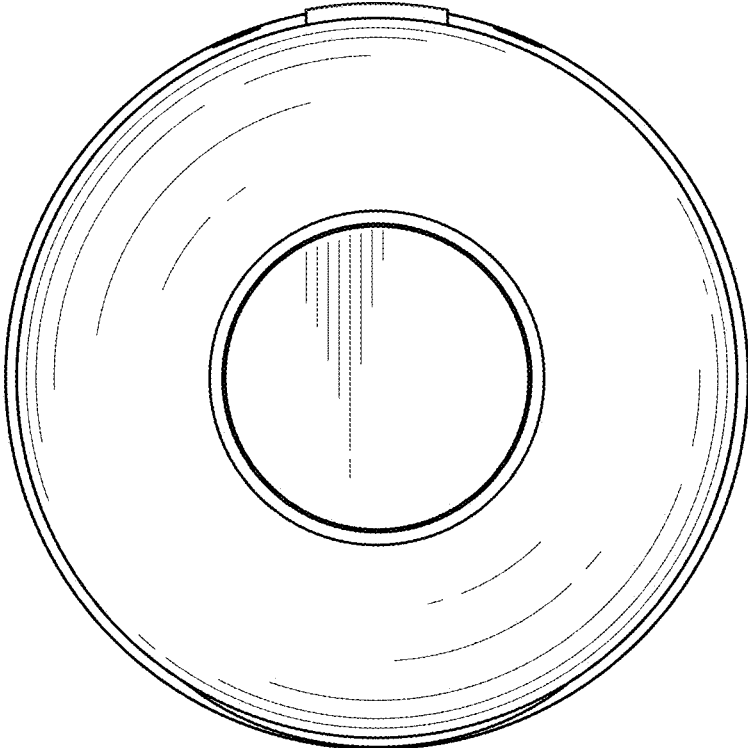


FIG. 7

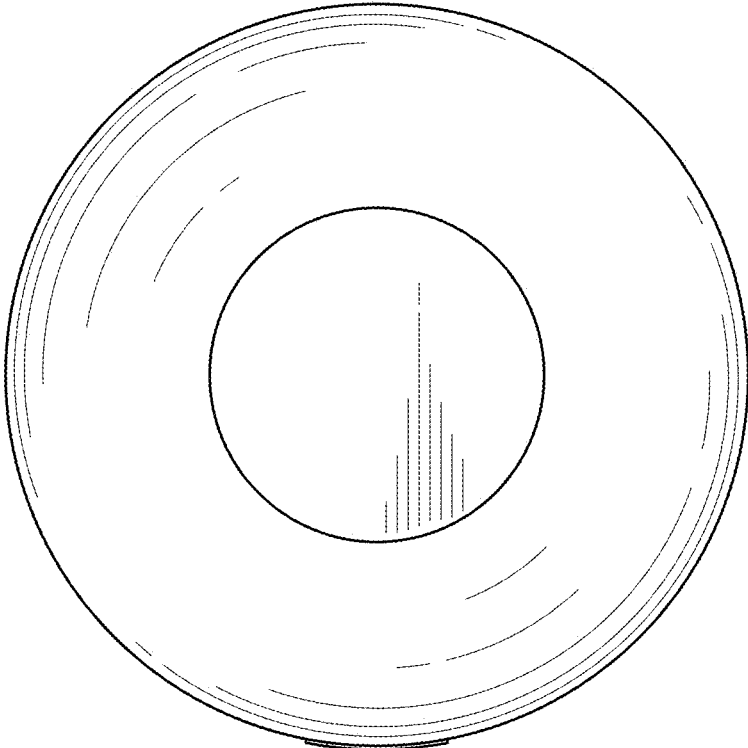


FIG. 8