



US00D776091S

(12) **United States Design Patent**  
**Spio**

(10) **Patent No.:** **US D776,091 S**

(45) **Date of Patent:** **\*\* Jan. 10, 2017**

(54) **CONTROLLER**

(71) Applicant: **Mary A. Spio**, Miami Beach, FL (US)

(72) Inventor: **Mary A. Spio**, Miami Beach, FL (US)

(\*\*) Term: **15 Years**

(21) Appl. No.: **29/544,826**

(22) Filed: **Nov. 6, 2015**

(51) **LOC (10) Cl.** ..... **14-03**

(52) **U.S. Cl.**

USPC ..... **D14/218**

(58) **Field of Classification Search**

USPC ..... D14/217-218, 188, 225, 205, 155;  
D13/168; D21/566, 333; D10/104.1,  
10/106.2

CPC ..... H05K 5/03; H04B 10/00; H01H 9/02;  
G09G 5/00; G09D 1/10

See application file for complete search history.

(56) **References Cited**

**U.S. PATENT DOCUMENTS**

D271,312 S *	11/1983	Renteria .....	D14/413
D311,218 S *	10/1990	Althans .....	D13/168
D317,950 S *	7/1991	Tse .....	D14/413
D331,058 S *	11/1992	Morales .....	D14/218
D406,266 S *	3/1999	Wakefield .....	D14/218
D415,735 S *	10/1999	Zuege .....	D13/168
D421,038 S *	2/2000	Hisatsune .....	D13/168
D503,928 S *	4/2005	Obata .....	D13/164
D556,201 S *	11/2007	Ashida .....	D14/412
D568,875 S *	5/2008	Hoehn .....	D14/218
D582,396 S *	12/2008	Sun .....	D14/218
D587,713 S *	3/2009	Sutton .....	D14/412
D594,067 S *	6/2009	Oikawa .....	D14/412
D624,903 S *	10/2010	Wlotzka .....	D14/218
D632,673 S *	2/2011	Isaias .....	D14/218
D638,841 S *	5/2011	Musick, Jr. ....	D14/412
D643,413 S *	8/2011	Wen .....	D14/218

D667,380 S *	9/2012	Ishikawa .....	D13/168
D682,254 S *	5/2013	Hong .....	D14/218
D691,217 S *	10/2013	Condon .....	D21/566
D693,333 S *	11/2013	Joe .....	D14/218
8,834,271 B2 *	9/2014	Ikeda .....	A63F 13/06 463/36
D742,361 S *	11/2015	Choi .....	D13/168
D763,359 S *	8/2016	Kwong .....	D14/401

**FOREIGN PATENT DOCUMENTS**

EM 000802731-0005 \* 10/2007

**OTHER PUBLICATIONS**

Amazon.com: **Yorking™ Universal Portable Wireless Bluetooth Remote Controller**, review dates 2016, [https://www.amazon.com/Yorking-Universal-Portable-Bluetooth-Controller/dp/B01G81EWWG/ref=cm\\_cr\\_arp\\_d\\_product\\_top?ie=UTF8](https://www.amazon.com/Yorking-Universal-Portable-Bluetooth-Controller/dp/B01G81EWWG/ref=cm_cr_arp_d_product_top?ie=UTF8), [site visited Sep. 14, 2016 7:53:56 PM].\*

\* cited by examiner

*Primary Examiner* — John Windmuller

*Assistant Examiner* — John R Yeh

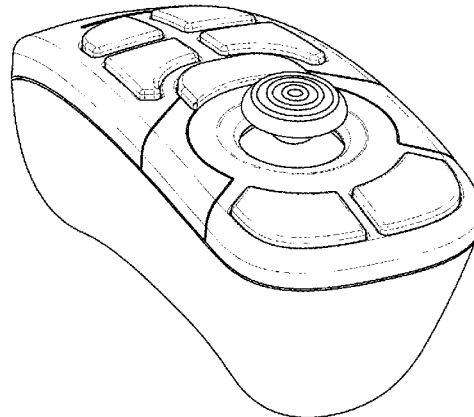
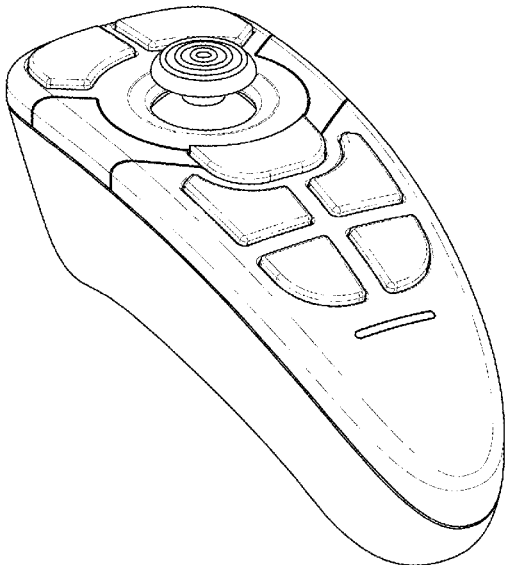
(57) **CLAIM**

The ornamental design for a controller, as shown and described.

**DESCRIPTION**

FIG. 1 is a front perspective view of a controller; FIG. 2 is a rear perspective view thereof; FIG. 3 is a top view thereof; FIG. 4 is a side view thereof; FIG. 5 is a bottom view thereof; FIG. 6 is another side view thereof; FIG. 7 is a rear thereof; and, FIG. 8 is a front view thereof.

**1 Claim, 3 Drawing Sheets**



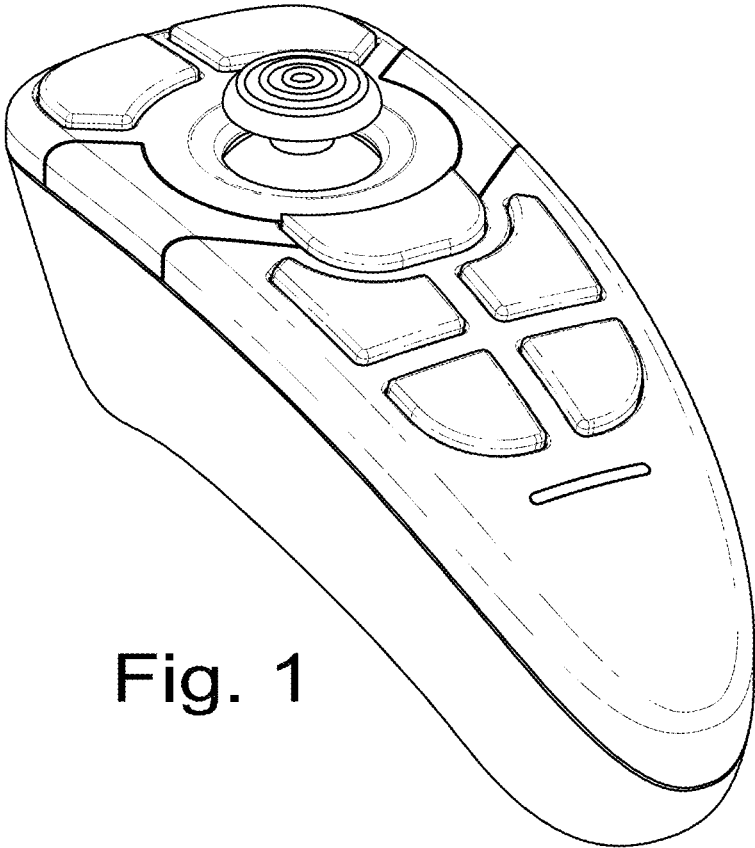


Fig. 1

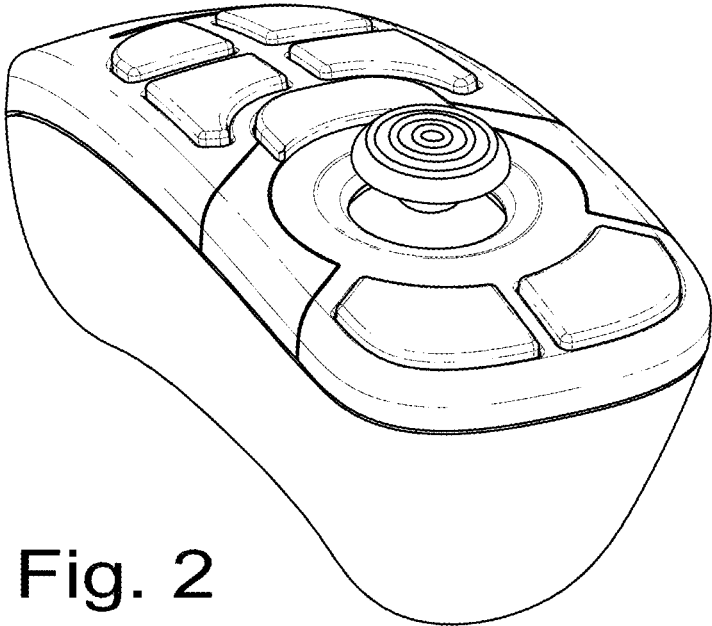


Fig. 2

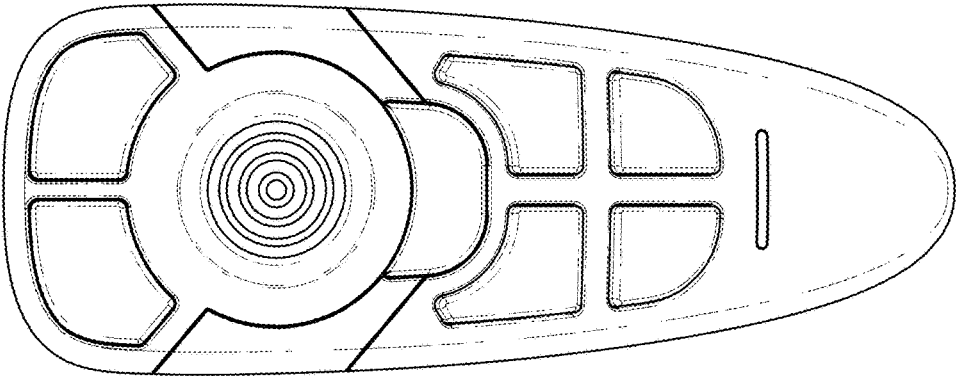


Fig. 3

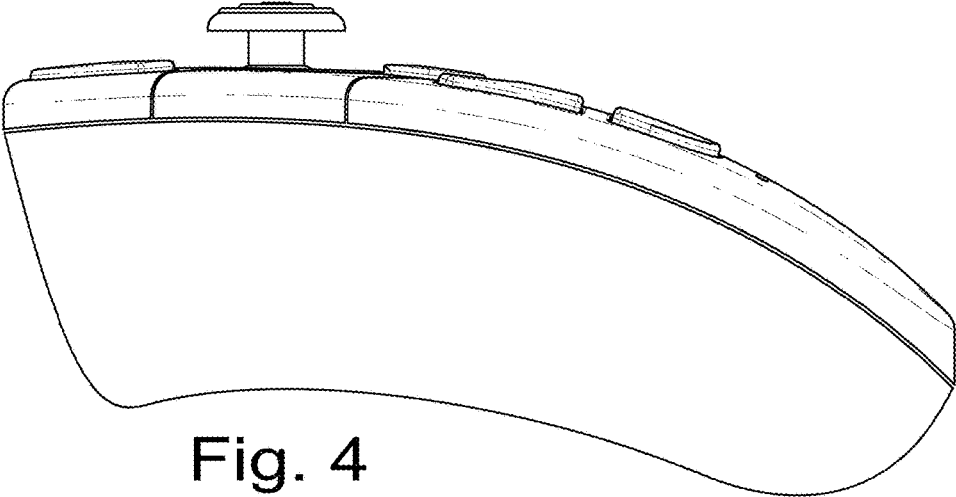


Fig. 4

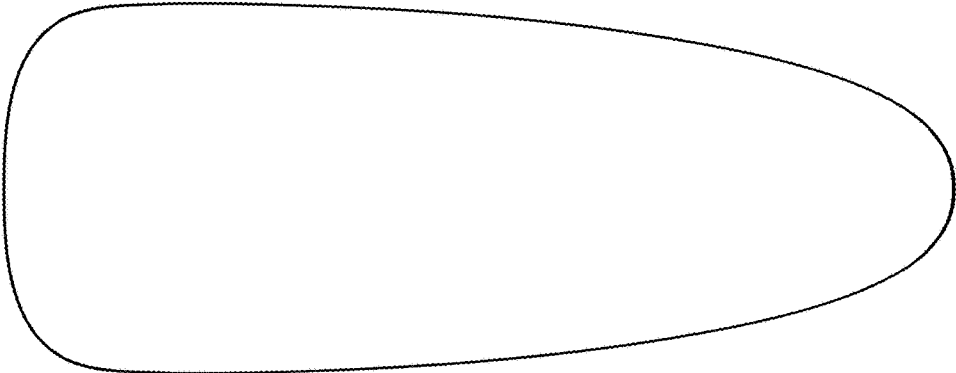


Fig. 5

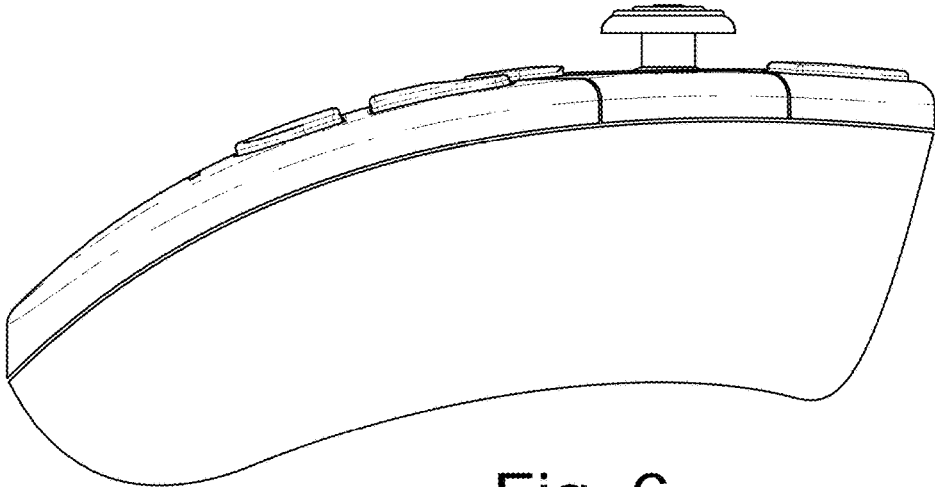


Fig. 6

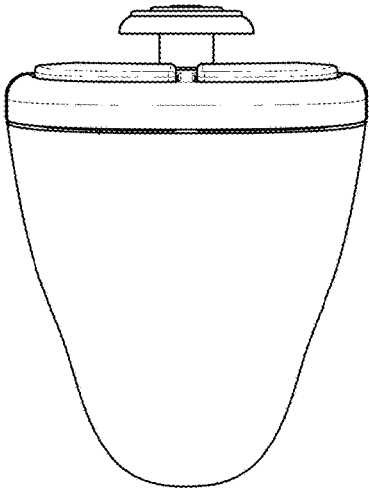


Fig. 7

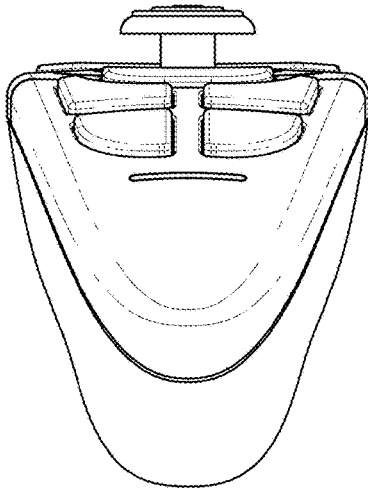


Fig. 8