



US00D840931S

(12) **United States Design Patent**
Nishimura

(10) **Patent No.:** **US D840,931 S**

(45) **Date of Patent:** **** Feb. 19, 2019**

- (54) **WIRELESS POWER TRANSFER DEVICE**
- (71) Applicant: **IHI CORPORATION**, Koto-ku, Tokyo (JP)
- (72) Inventor: **Kenji Nishimura**, Tokyo (JP)
- (73) Assignee: **IHI CORPORATION**, Tokyo (JP)
- (**) Term: **15 Years**
- (21) Appl. No.: **29/634,724**

6,069,797 A * 5/2000 Widmayer H04N 7/104
174/559
D611,900 S * 3/2010 Yang D13/108
D702,654 S * 4/2014 Lee D13/182
D794,554 S * 8/2017 Chang D13/103
D794,644 S * 8/2017 Bang D14/435

* cited by examiner

Primary Examiner — Rhea Shields

(74) *Attorney, Agent, or Firm* — Volpe and Koenig, P.C.

(22) Filed: **Jan. 24, 2018**

Related U.S. Application Data

- (62) Division of application No. 35/501,452, filed on Mar. 2, 2016 (U.S. filing date under 35 U.S.C. 384), and having an international filing date of Mar. 2, 2016, now Pat. No. Des. 812,002.

(30) **Foreign Application Priority Data**

Sep. 29, 2015 (JP) 2015-021270
 Sep. 29, 2015 (JP) 2015-021271
 Sep. 29, 2015 (JP) 2015-021272

(51) **LOC (11) Cl.** **13-02**

(52) **U.S. Cl.**
USPC **D13/110**

(58) **Field of Classification Search**
USPC D13/110, 108, 182, 103; D14/435;
174/559; 290/1 A
CPC G01H 1/0066; H02J 7/0042; H04N 7/104
See application file for complete search history.

(56) **References Cited**

U.S. PATENT DOCUMENTS

5,606,143 A * 2/1997 Young G10H 1/0066
348/E5.099
5,998,961 A * 12/1999 Brown H02J 7/0042
290/1 A

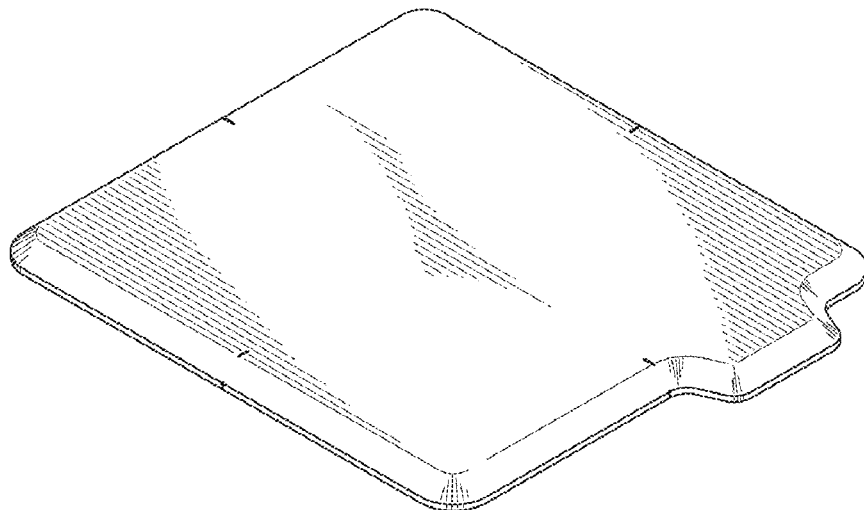
(57) **CLAIM**

The ornamental design for a wireless power transfer device, as shown and described.

DESCRIPTION

FIG. 1 is a front perspective view of a wireless power transfer device of the present invention.
 FIG. 2 is a back perspective view of the wireless power transfer device of FIG. 1.
 FIG. 3 is a front view of the wireless power transfer device of FIG. 1.
 FIG. 4 is a back view of the wireless power transfer device of FIG. 1.
 FIG. 5 is a top view of the wireless power transfer device of FIG. 1.
 FIG. 6 is a bottom view of the wireless power transfer device of FIG. 1.
 FIG. 7 is a left view of the wireless power transfer device of FIG. 1; and,
 FIG. 8 is a right view of the wireless power transfer device of FIG. 1.

1 Claim, 8 Drawing Sheets



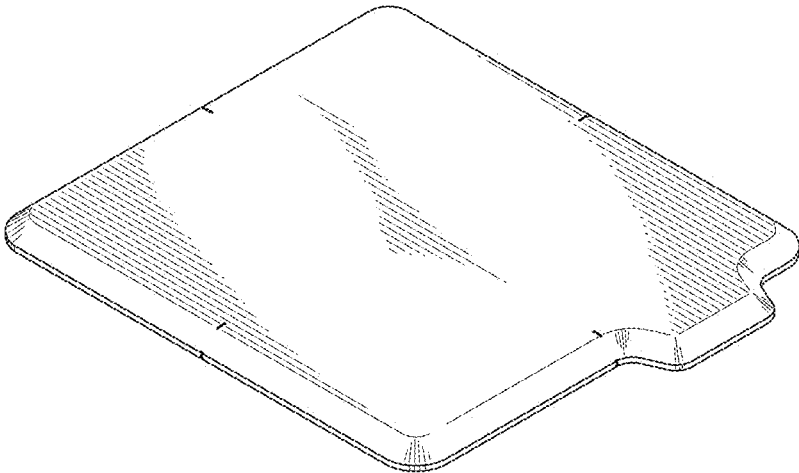


FIG. 1

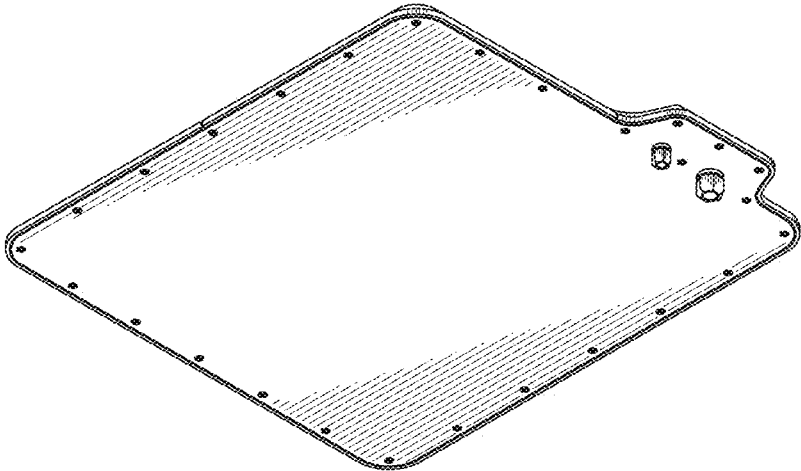


FIG. 2

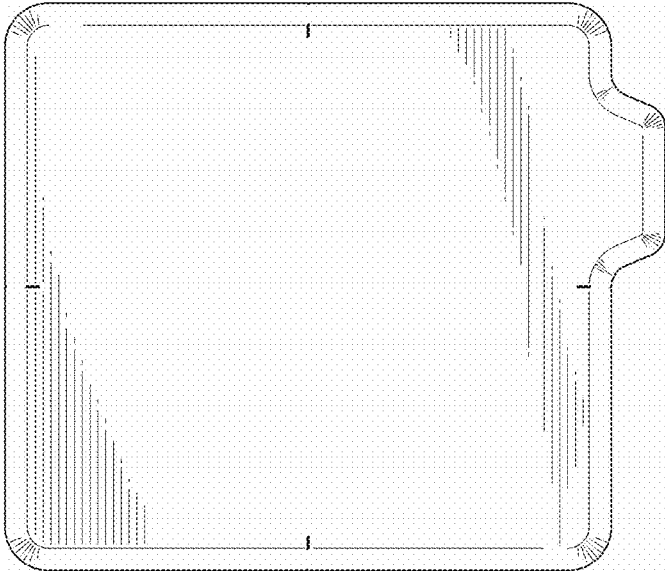


FIG. 3

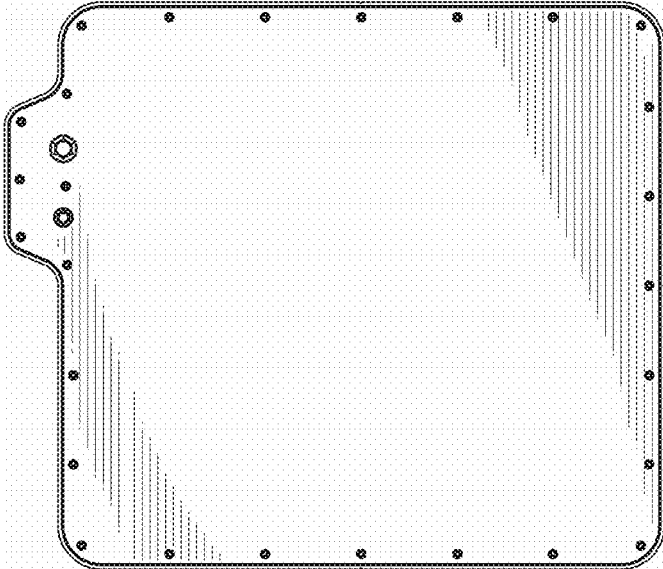


FIG. 4

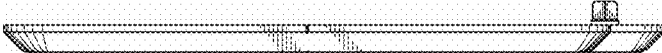


FIG. 5

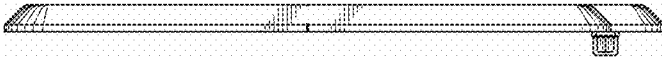


FIG. 6



FIG. 7



FIG. 8