



(12) **United States Design Patent** (10) **Patent No.:** **US D861,182 S**
Wersland et al. (45) **Date of Patent:** **** Sep. 24, 2019**

(54) **MESSAGE ELEMENT**

(71) Applicant: **THERAGUN, LLC**, Santa Monica, CA (US)

(72) Inventors: **Jason Wersland**, Manhattan Beach, CA (US); **Michael Waldron**, Dunnington (GB); **Geert Ensing**, Shanghai (CN)

(73) Assignee: **THERAGUN, LLC**, Santa Monica, CA (US)

(**) Term: **15 Years**

(21) Appl. No.: **29/690,359**

(22) Filed: **May 7, 2019**

Related U.S. Application Data

(63) Continuation of application No. 29/637,060, filed on Feb. 13, 2018, now Pat. No. Des. 849,261, which is a continuation-in-part of application No. 15/647,050, filed on Jul. 11, 2017.

(51) **LOC (12) Cl.** **28-03**

(52) **U.S. Cl.**
 USPC **D24/211**

(58) **Field of Classification Search**

USPC 52/574; 273/153 P, 153 R, 153 S, 157 R, 273/160; 434/211, 259; 600/38; 601/15, 601/18, 19, 27, 28, 29, 30, 31, 32, 46, 47, 601/48, 52, 72, 99, 112, 113, 118, 135, 601/137, DIG. 12, DIG. 14, DIG. 15, 601/DIG. 16, DIG. 17; D21/505; D24/200, 211, 212, 213, 214, 215; D9/434, 443, 454; D8/378; D11/181; D26/113, 154
 CPC A61H 15/0085; A61H 23/0263; A61H 15/00; A61H 39/04; A61H 15/0092; A61H 7/001; A61H 7/003; A61H 23/006; A61H 19/34; A61H 7/007; A61H 7/004; A61H 7/005; F16G 13/16; A63B 19/00; A47C 16/025; A61F 5/41; F16B 7/042

See application file for complete search history.

(56) **References Cited**

U.S. PATENT DOCUMENTS

D192,758 S * 5/1962 Rijnovan D9/443
 D197,192 S * 12/1963 Lorenzen D9/443
 4,628,915 A * 12/1986 Chaney A61F 5/41
 600/41
 D347,282 S * 5/1994 Yoo D24/200
 D356,035 S * 3/1995 Kim D9/454
 5,470,303 A * 11/1995 Leonard A61H 19/34
 600/38
 D417,008 S * 11/1999 Chien D24/211

(Continued)

OTHER PUBLICATIONS

Amazon, "TheraGun G2PRO Professional Massager", Nov. 18, 2017. https://www.amazon.com/TheraGun-G2PRO-Professional-Massager/dp/B07578H2GX/ref=sr_1_8?keywords=TheraGun+G2PRO+Professional+Massager&qid=1560873514&s=gateway&sr=8-8. Shown on p. 1. (Year: 2017).*

Primary Examiner — Cynthia Ramirez

Assistant Examiner — Michael A Maharajh

(74) *Attorney, Agent, or Firm* — Jeffer Mangels Butler & Mitchell LLP; Brennan C. Swain, Esq.

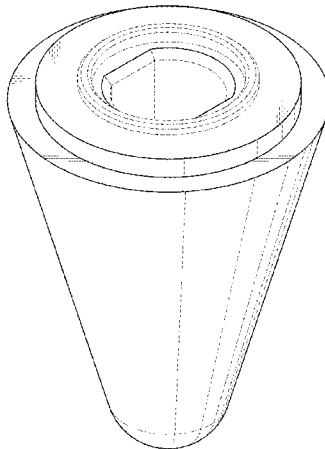
(57) **CLAIM**

The ornamental design for a message element, as shown and described.

DESCRIPTION

FIG. 1 is a perspective view of a message element showing our new design;
 FIG. 2 is a front elevational view of the present invention shown in FIG. 1, the rear, right and left side elevational views being mirror images thereof;
 FIG. 3 is a top plan view of the present invention shown in FIG. 1; and,
 FIG. 4 is a bottom plan view of the present invention shown in FIG. 1.

1 Claim, 4 Drawing Sheets



(56)

References Cited

U.S. PATENT DOCUMENTS

7,306,570 B1 * 12/2007 Julian A61H 7/007
601/134
D639,430 S * 6/2011 Yoo D24/146
D639,431 S * 6/2011 Yoo D24/146
8,105,253 B2 * 1/2012 Chen A61H 7/004
601/112
8,518,001 B2 * 8/2013 Hasenoehrl A45D 34/04
601/112
8,864,690 B2 * 10/2014 Fuster A61H 7/005
601/103
D728,382 S * 5/2015 Goswell D9/504
D849,261 S * 5/2019 Wersland D24/211
2019/0015294 A1 * 1/2019 Nazarian A61H 23/006
2019/0017528 A1 * 1/2019 Wersland F16B 7/042

* cited by examiner

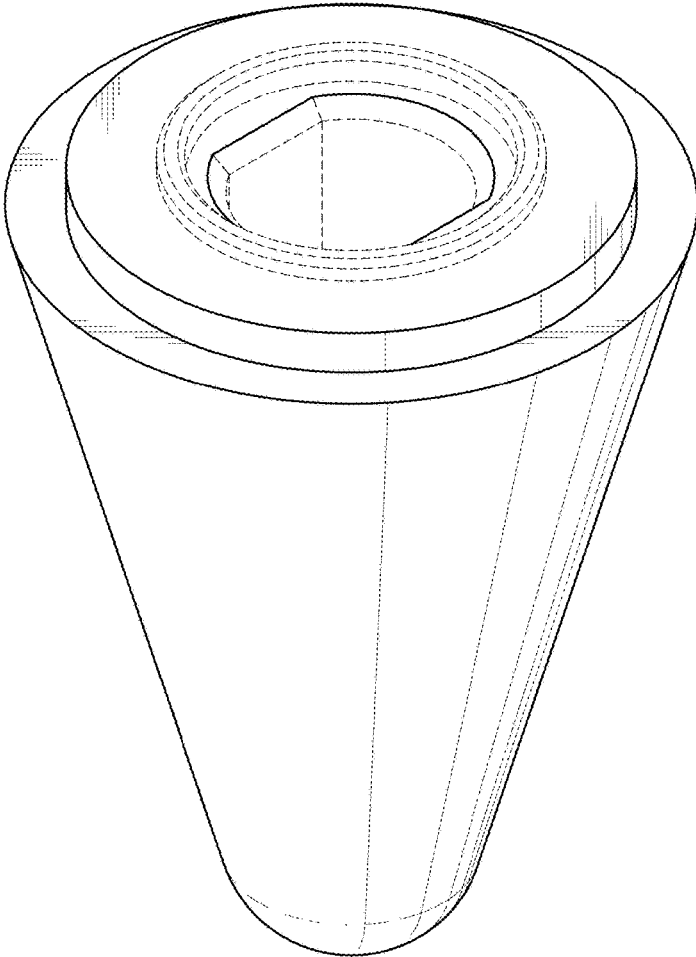


FIG. 1

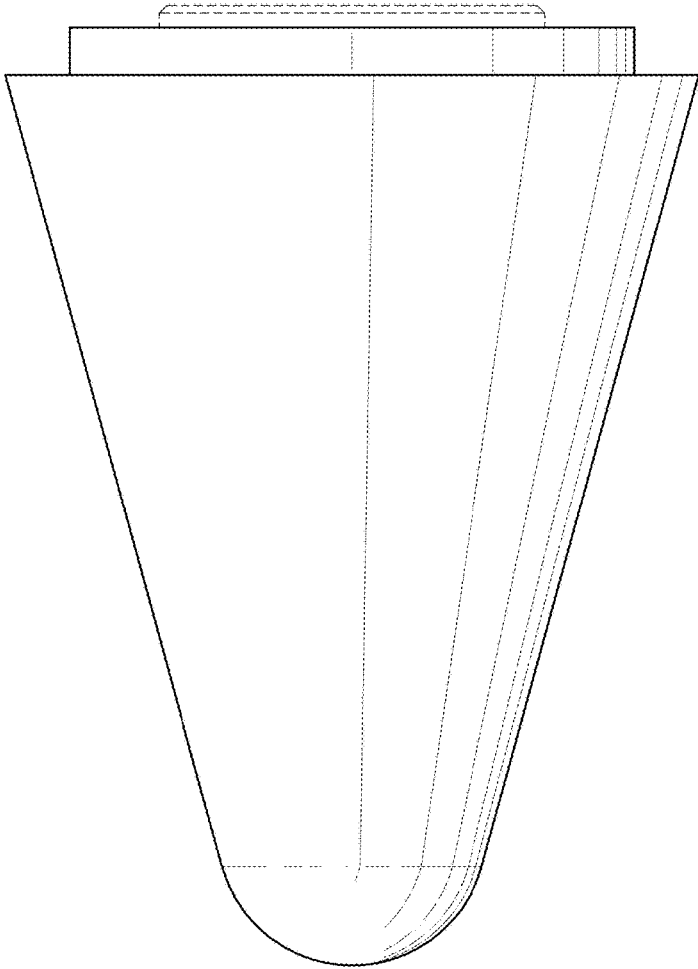


FIG. 2

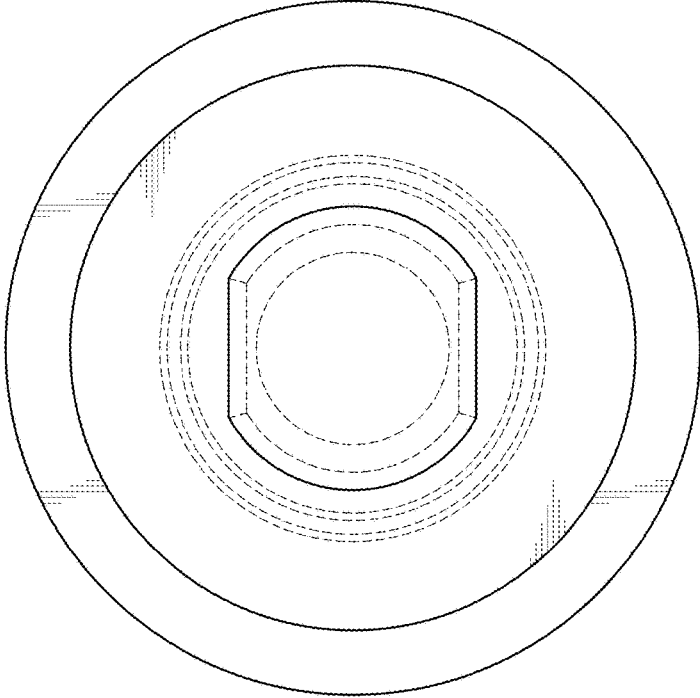


FIG. 3

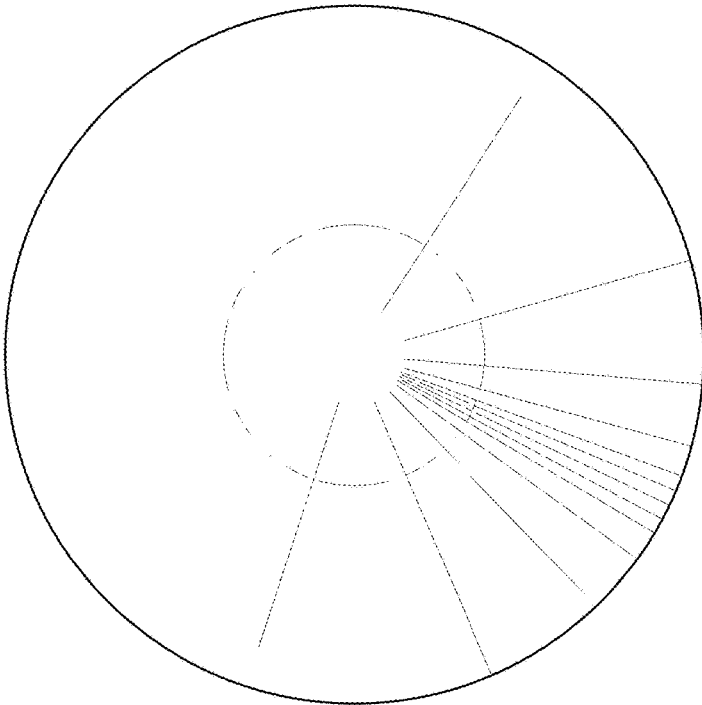


FIG. 4