



US00D825449S

(12) **United States Design Patent**
Cai

(10) **Patent No.:** **US D825,449 S**

(45) **Date of Patent:** **** Aug. 14, 2018**

- (54) **PHOTOVOLTAIC PANEL**
- (71) Applicant: **Arctech Solar Holding Co., Ltd.**, Jiang Su Province (CN)
- (72) Inventor: **Hao Cai**, Jiang Su Province (CN)
- (**) Term: **15 Years**
- (21) Appl. No.: **29/576,366**
- (22) Filed: **Sep. 2, 2016**
- (51) **LOC (11) Cl.** **13-02**
- (52) **U.S. Cl.**
USPC **D13/102**
- (58) **Field of Classification Search**
USPC D6/300, 310, 314; D8/354; D13/101, D13/102, 103, 118, 119, 184, 199; D21/494; D25/57, 139, 180, 141, 143, D25/144
CPC H01L 31/00; H02S 10/00; H02S 20/00; Y02B 10/00; Y02E 10/00; Y02E 10/40; Y02E 10/41; Y02E 10/42; Y02E 10/43; Y02E 10/44; Y02E 10/45; Y02E 10/46; Y02E 10/47; Y02E 10/50; Y02E 10/51; Y02E 10/52
See application file for complete search history.

- 2013/0049154 A1* 2/2013 Hegedus H01L 31/0201 257/437
- 2013/0052772 A1* 2/2013 Surana B82Y 20/00 438/72
- 2014/0210325 A1* 7/2014 Aurongzeb H05K 5/0213 312/236
- 2014/0283897 A1* 9/2014 Chen H02S 30/10 136/251
- 2015/0247766 A1* 9/2015 Yang G01L 5/228 73/862.627
- 2015/0372176 A1* 12/2015 Topping H01L 31/035281 136/256
- 2016/0291647 A1* 10/2016 Okamoto G06F 1/1652

* cited by examiner

Primary Examiner — Mary Ann Calabrese
Assistant Examiner — Catherine Ho
(74) *Attorney, Agent, or Firm* — Prakash Nama; Global IP Services, PLLC

(57) **CLAIM**

The ornamental design for a photovoltaic panel, as shown and described.

DESCRIPTION

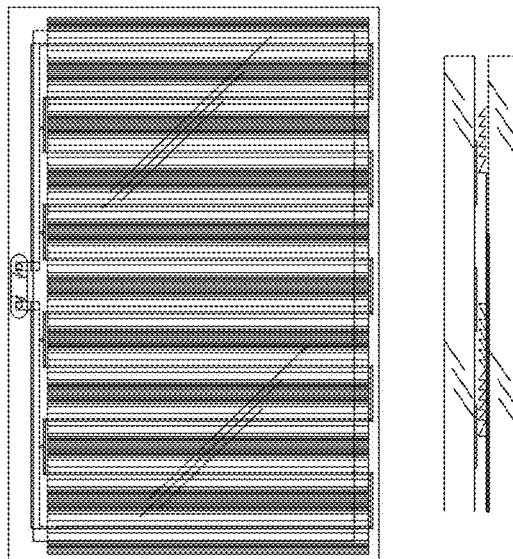
FIG. 1 is a front elevational view of a photovoltaic panel showing my new design;
FIG. 2 is a rear elevational view thereof;
FIG. 3 is a left side view thereof;
FIG. 4 is a right side view thereof;
FIG. 5 is a top plan view thereof;
FIG. 6 is a bottom plan view thereof;
FIG. 7 is a perspective view thereof;
FIG. 8 is an enlarged fragment of the portion of the photovoltaic panel shown in FIG. 3 and labelled 8;
FIG. 9 is an exploded view of FIG. 1;
FIG. 10 is a second exploded view of FIG. 1;
FIG. 11 is an alternate exploded view of FIG. 10; and,
FIG. 12 is an alternate exploded view of FIG. 9.

(56) **References Cited**

U.S. PATENT DOCUMENTS

- D431,533 S * 10/2000 Berkowitz D13/155
- 9,332,593 B2 * 5/2016 Keite-Telgenbuscher H05B 3/86
- D767,484 S * 9/2016 Morad D13/102
- 2010/0218805 A1* 9/2010 Everett H01L 31/02168 136/246
- 2013/0026604 A1* 1/2013 Hsin H01L 31/107 257/603
- 2013/0037855 A1* 2/2013 Sekino C23C 14/14 257/184

1 Claim, 11 Drawing Sheets



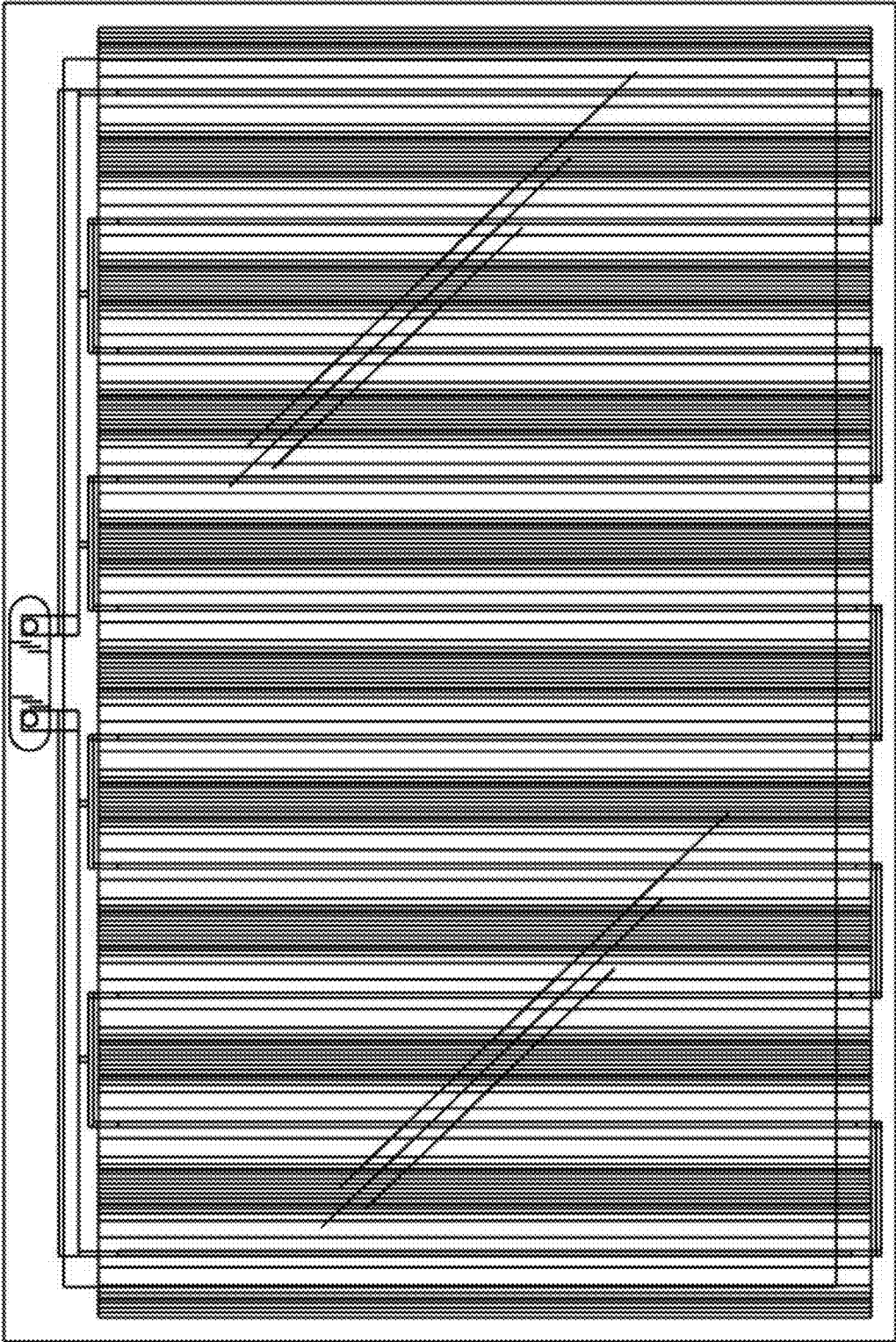


FIG. 1

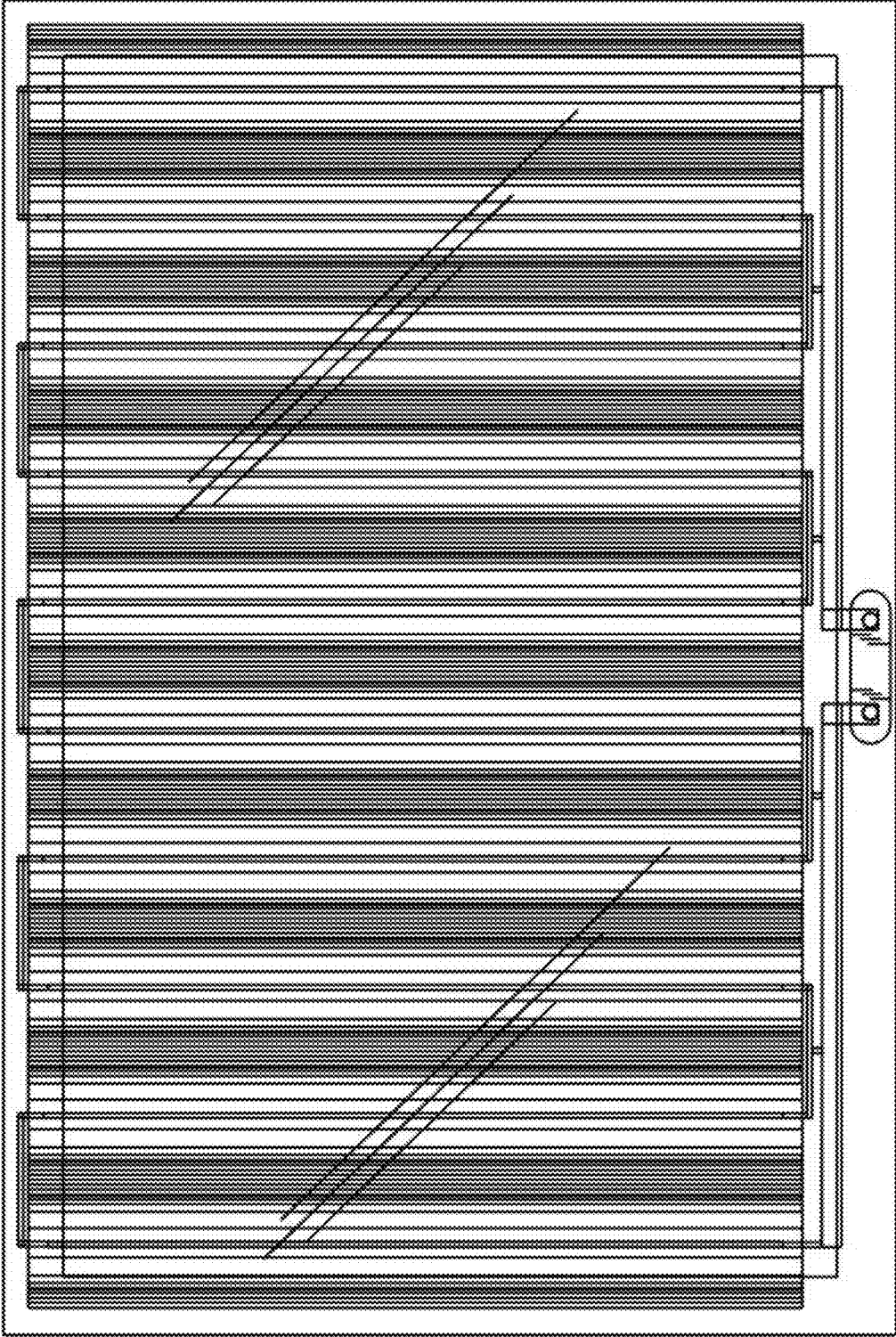


FIG. 2

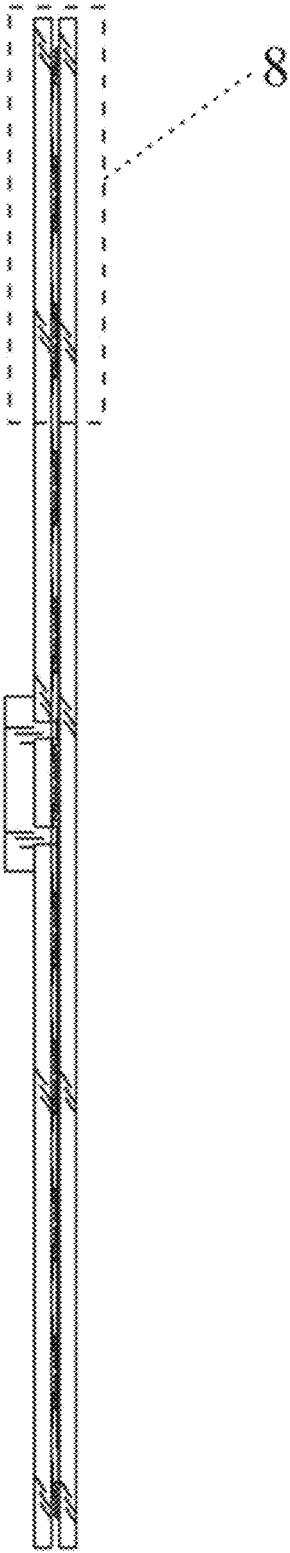


FIG. 3



FIG. 4

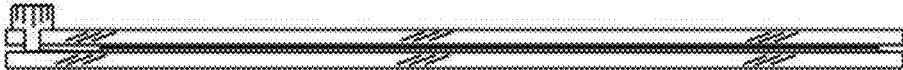


FIG. 5



FIG. 6

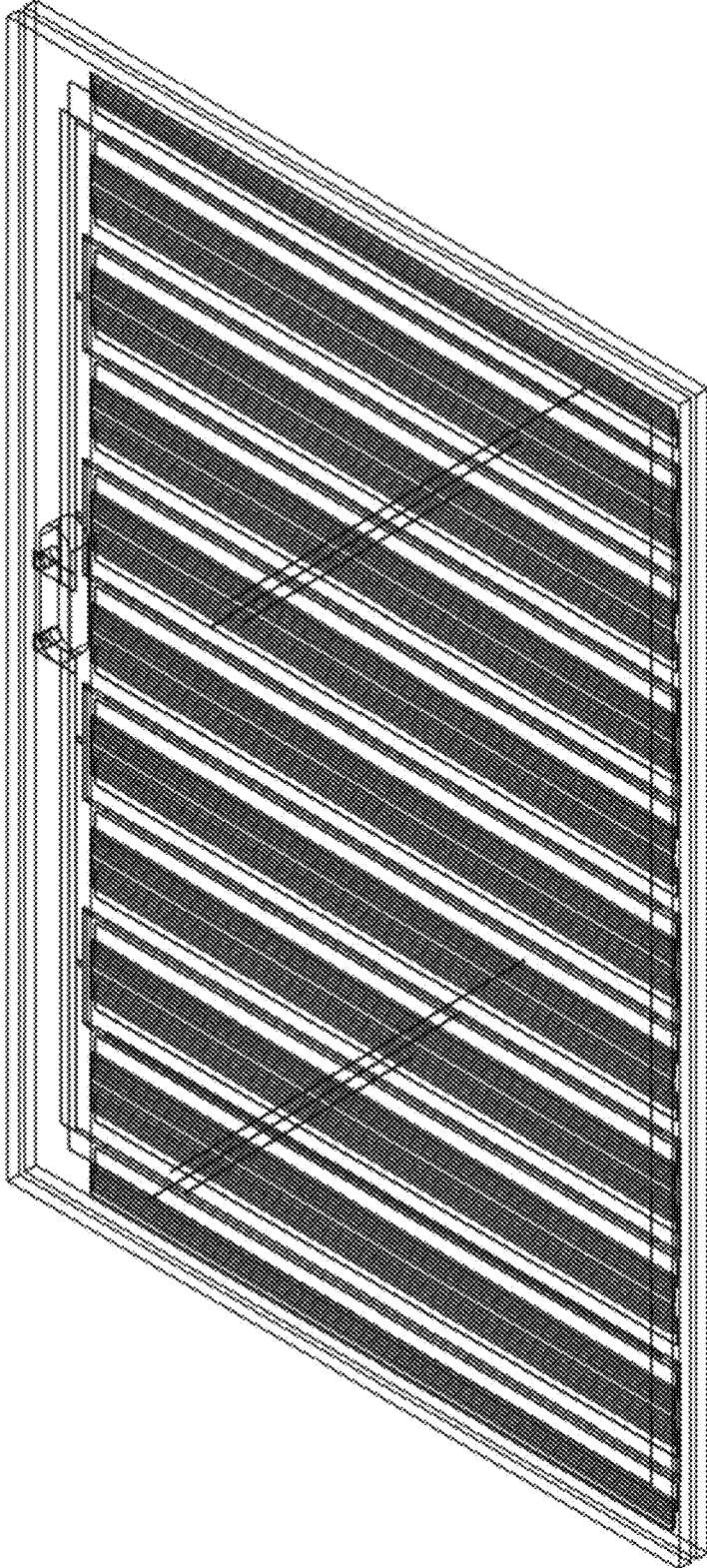


FIG. 7

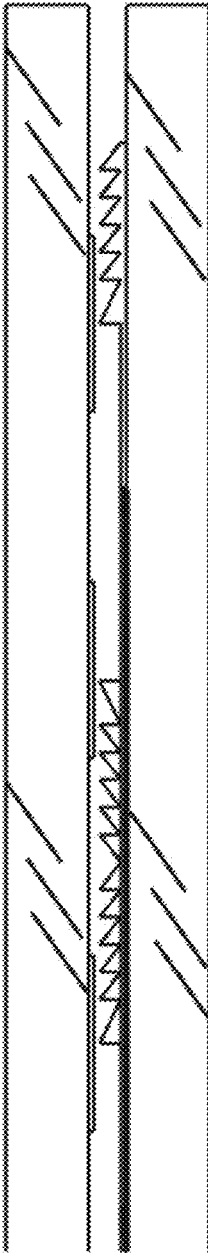


FIG. 8

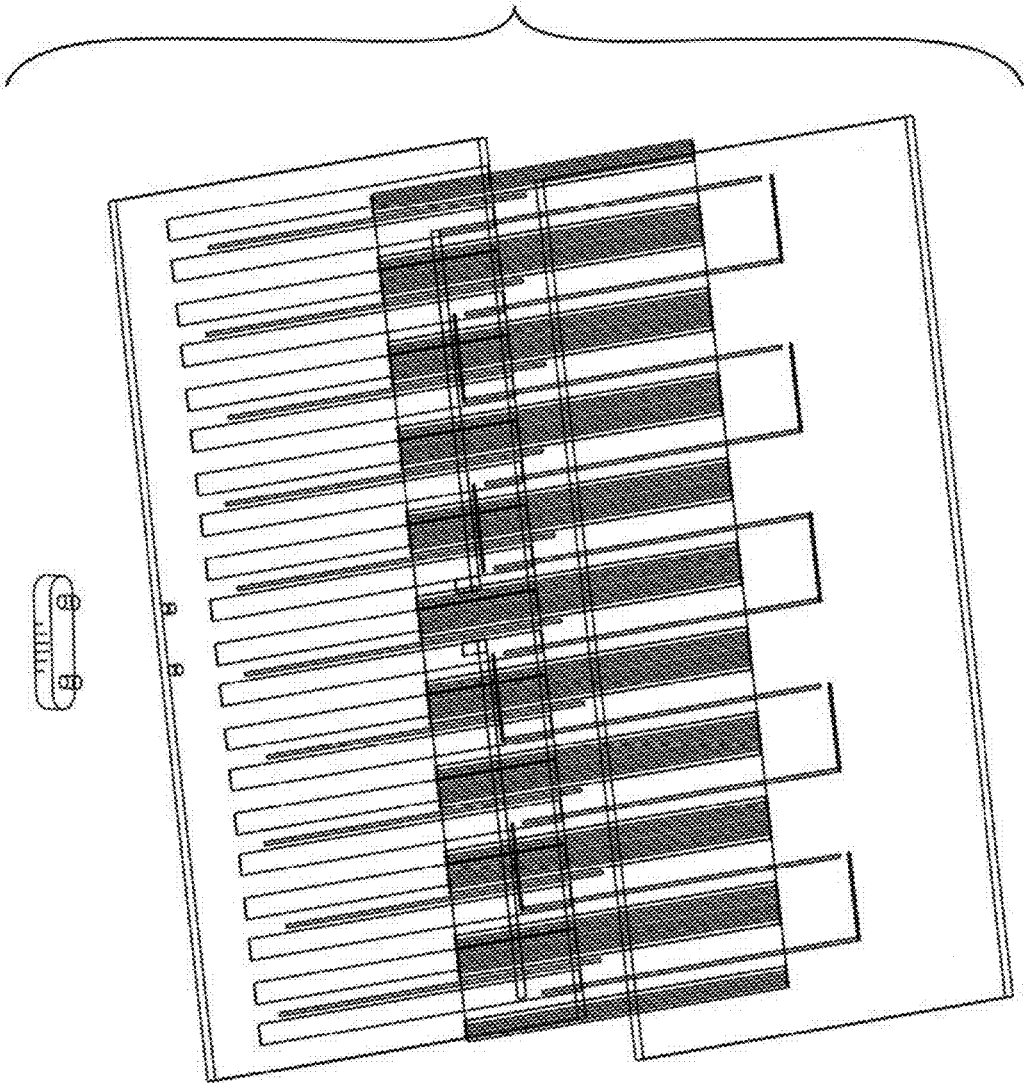


FIG. 9

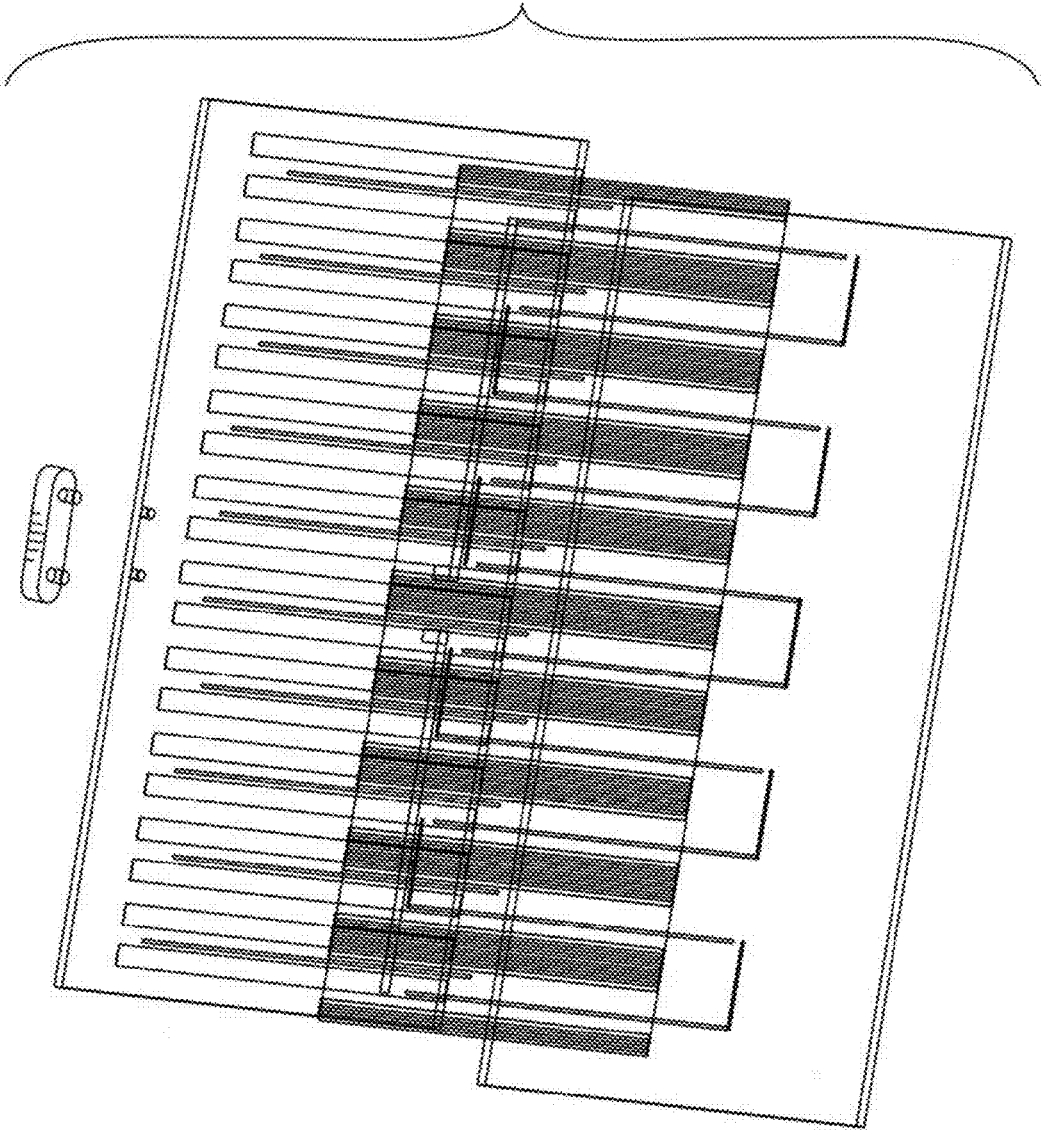


FIG. 10

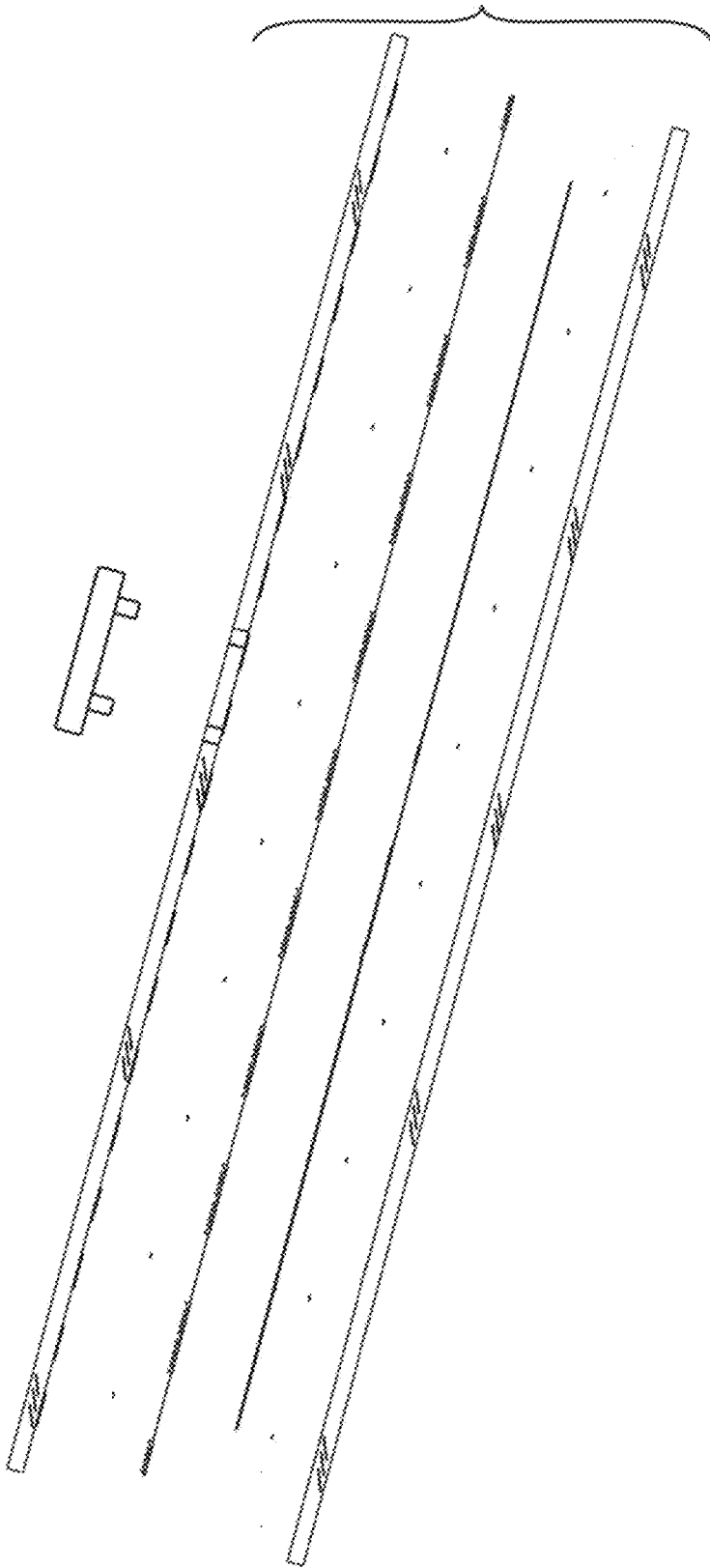


FIG. 11

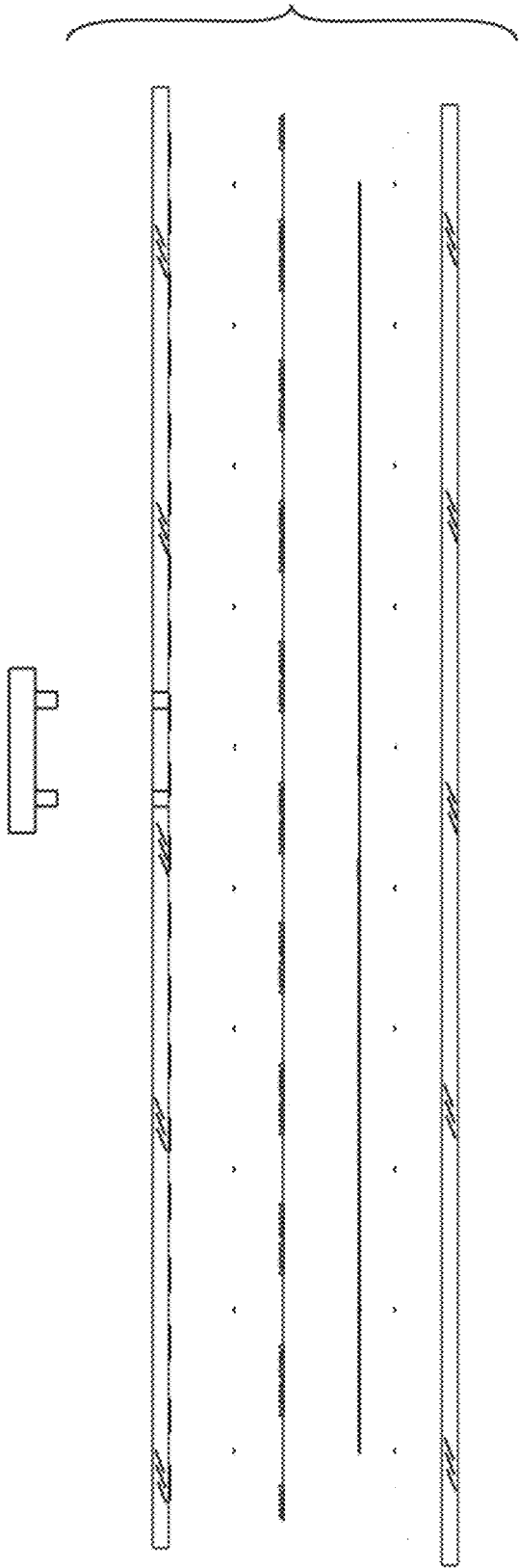


FIG. 12