



US00D381954S

United States Patent [19]
Tashiro

[11] **Patent Number:** **Des. 381,954**

[45] **Date of Patent:** ****Aug. 5, 1997**

[54] **CASE FOR STORAGE BATTERY**

[75] **Inventor:** **Naoki Tashiro, Kawasaki, Japan**

[73] **Assignee:** **Canon Kabushiki Kaisha, Tokyo, Japan**

[**] **Term:** **14 Years**

[21] **Appl. No.:** **42,280**

[22] **Filed:** **Aug. 4, 1995**

[30] **Foreign Application Priority Data**

Feb. 6, 1995 [JP] Japan 7-2765

[51] **LOC (6) Cl.** **13-02**

[52] **U.S. Cl.** **D13/103**

[58] **Field of Search** D13/103; 429/97-99,
429/121, 159, 163, 176

[56] **References Cited**

U.S. PATENT DOCUMENTS

D. 243,616 3/1977 Kaye D13/103
D. 323,809 2/1992 Ross, Jr. D13/103

D. 329,634 9/1992 Mizusugi et al. D13/103
D. 343,381 1/1994 Inukai et al. D13/103 X
D. 346,581 5/1994 Tattari D13/103
D. 361,309 8/1995 White D13/103
D. 367,256 2/1996 Tokunaga D13/103

Primary Examiner—Joel Sincavage
Attorney, Agent, or Firm—Fitzpatrick, Cella, Harper & Scinto

[57] **CLAIM**

The ornamental design for a case for storage battery, as shown and described.

DESCRIPTION

FIG. 1 is a front elevational view of a case for storage battery showing my new design;
FIG. 2 is a rear elevational view thereof;
FIG. 3 is a top plan view thereof;
FIG. 4 is a bottom plan view thereof;
FIG. 5 is a left side elevational view thereof;
FIG. 6 is a right side elevational view thereof; and,
FIG. 7 is a perspective view thereof.

1 Claim, 3 Drawing Sheets

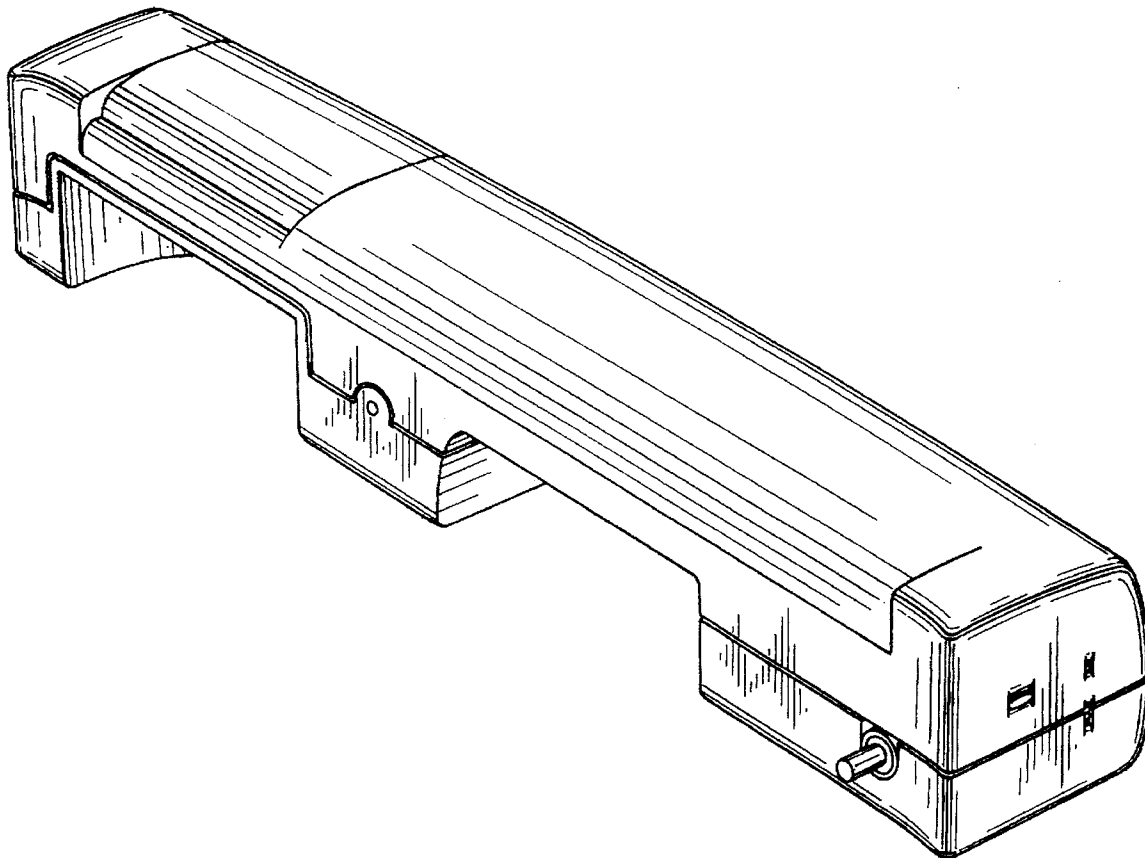


FIG. 1

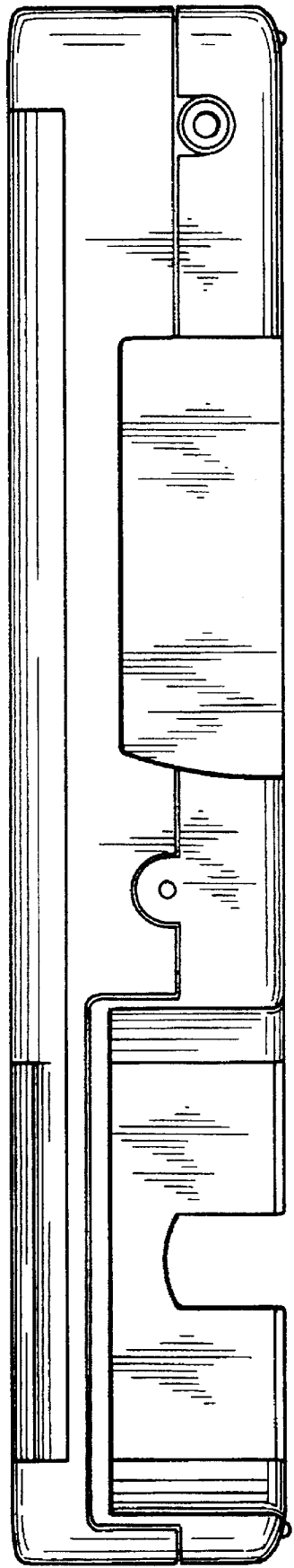


FIG. 2

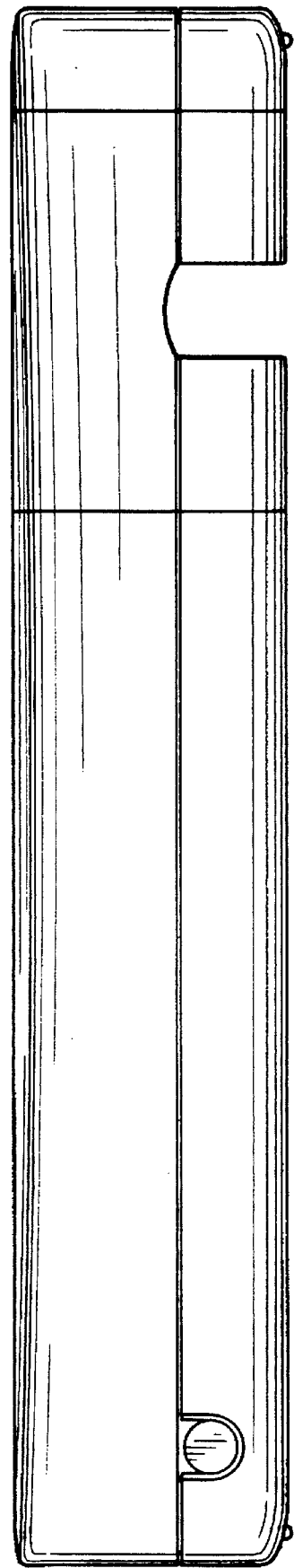


FIG. 3

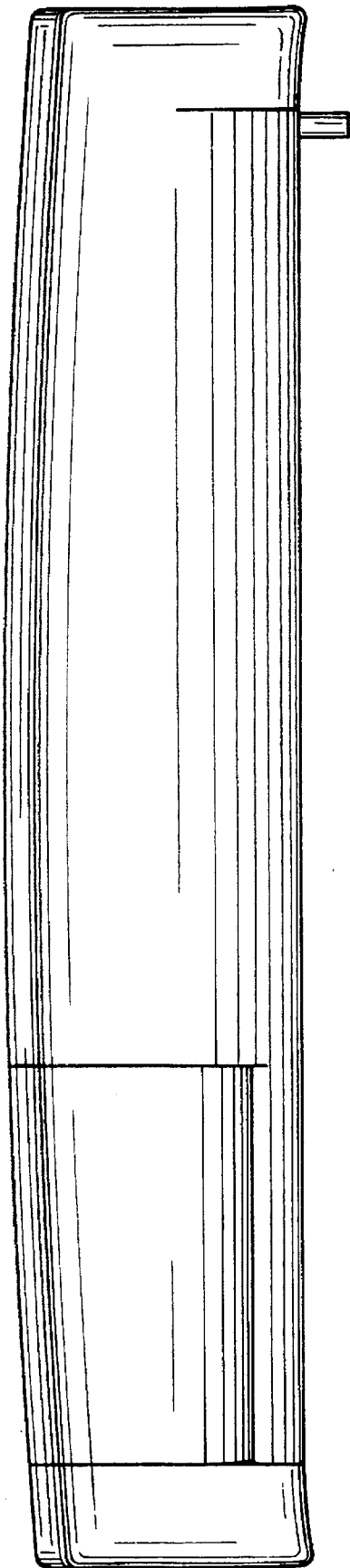
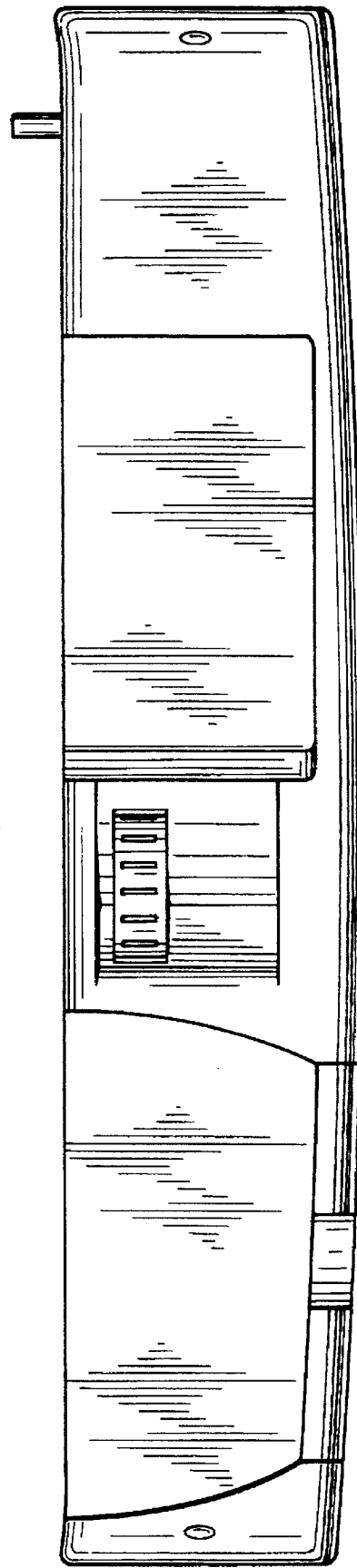


FIG. 4



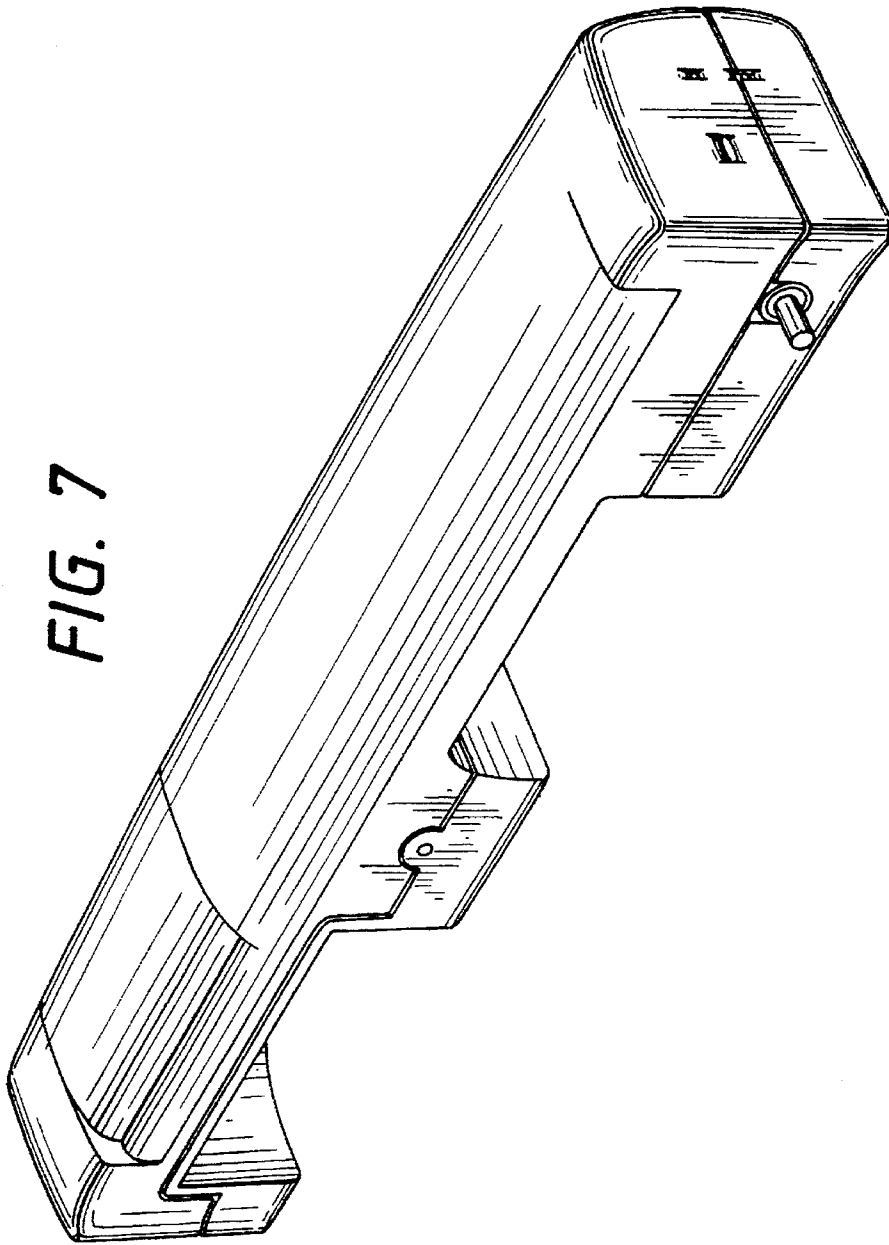


FIG. 7

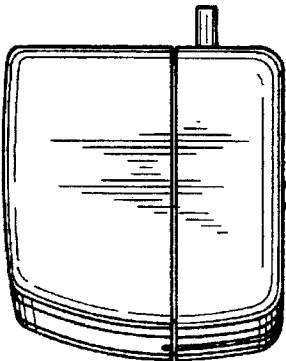


FIG. 5

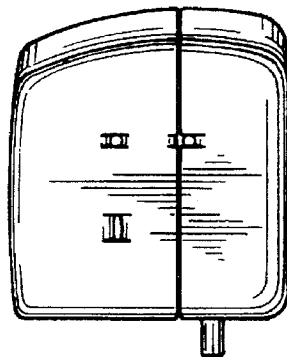


FIG. 6