

CORRECTED VERSION

(19) World Intellectual Property Organization
International Bureau



(43) International Publication Date
11 February 2010 (11.02.2010)

PCT

(10) International Publication Number
WO 2010/016879 A8

- (51) International Patent Classification:
G11C 8/00 (2006.01) G11C 8/18 (2006.01)
G11C 8/10 (2006.01) G11C 8/08 (2006.01)
- (21) International Application Number:
PCT/US2009/004443
- (22) International Filing Date:
3 August 2009 (03.08.2009)
- (25) Filing Language: English
- (26) Publication Language: English
- (30) Priority Data:
12/185,709 4 August 2008 (04.08.2008) US
- (71) Applicant (for all designated States except US): MICRON TECHNOLOGY, INC. [US/US]; 8000 So. Federal Way, Boise, ID 83716-9632 (US).
- (72) Inventor; and
- (75) Inventor/Applicant (for US only): MANNING, Troy, A. [US/US]; 4753 S. Ten Mile Road, Meridian, ID 83642 (US).
- (74) Agents: MADDEN, Robert, B. et al.; Schwegman, Lundberg, & Woessner, P.A., P.O. Box 2938, Minneapolis, MN 55402-0938 (US).

- (81) Designated States (unless otherwise indicated, for every kind of national protection available): AE, AG, AL, AM, AO, AT, AU, AZ, BA, BB, BG, BH, BR, BW, BY, BZ, CA, CH, CL, CN, CO, CR, CU, CZ, DE, DK, DM, DO, DZ, EC, EE, EG, ES, FI, GB, GD, GE, GH, GM, GT, HN, HR, HU, ID, IL, IN, IS, JP, KE, KG, KM, KN, KP, KR, KZ, LA, LC, LK, LR, LS, LT, LU, LY, MA, MD, ME, MG, MK, MN, MW, MX, MY, MZ, NA, NG, NI, NO, NZ, OM, PE, PG, PH, PL, PT, RO, RS, RU, SC, SD, SE, SG, SK, SL, SM, ST, SV, SY, TJ, TM, TN, TR, TT, TZ, UA, UG, US, UZ, VC, VN, ZA, ZM, ZW.
- (84) Designated States (unless otherwise indicated, for every kind of regional protection available): ARIPO (BW, GH, GM, KE, LS, MW, MZ, NA, SD, SL, SZ, TZ, UG, ZM, ZW), Eurasian (AM, AZ, BY, KG, KZ, MD, RU, TJ, TM), European (AT, BE, BG, CH, CY, CZ, DE, DK, EE, ES, FI, FR, GB, GR, HR, HU, IE, IS, IT, LT, LU, LV, MC, MK, MT, NL, NO, PL, PT, RO, SE, SI, SK, SM, TR), OAPI (BF, BJ, CF, CG, CI, CM, GA, GN, GQ, GW, ML, MR, NE, SN, TD, TG).

- Published: — with international search report (Art. 21(3))
- (48) Date of publication of this corrected version: 16 September 2010

[Continued on next page]

(54) Title: ROW MASK ADDRESSING

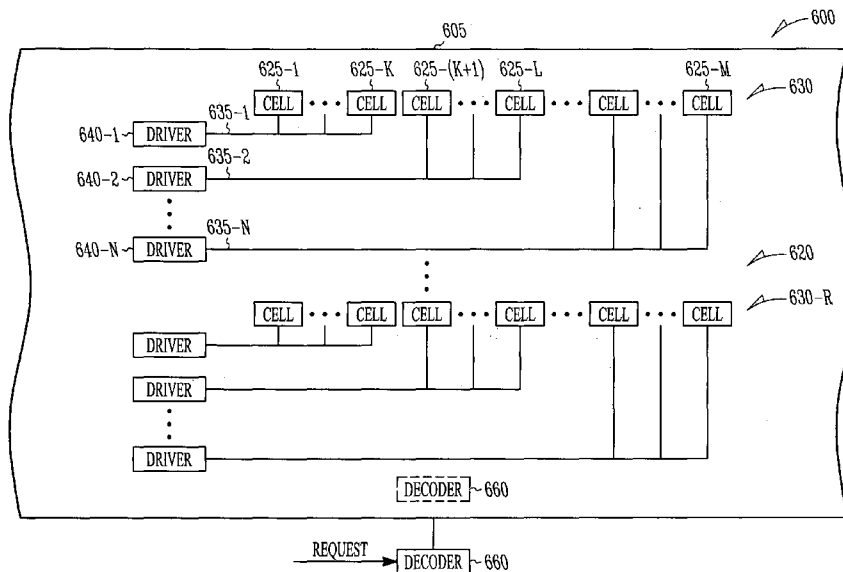


FIG. 6

(57) Abstract: Electronic apparatus, systems, and methods may operate structures to access a portion of a row of a memory array without accessing the entire row. Additional apparatus, systems, and methods are disclosed.

WO 2010/016879 A8

(15) Information about Correction:
see Notice of 16 September 2010