



US00D738173S

(12) **United States Design Patent**  
**Tempel**

(10) **Patent No.:** **US D738,173 S**

(45) **Date of Patent:** **\*\* Sep. 8, 2015**

- (54) **HAND HELD TOOL**
- (71) Applicant: **Neoperl GmbH**, Mullheim (DE)
- (72) Inventor: **Marc Tempel**, Freiburg (DE)
- (73) Assignee: **Neoperl GmbH**, Müllheim (DE)
- (\*\*) Term: **14 Years**
- (21) Appl. No.: **29/473,622**
- (22) Filed: **Nov. 25, 2013**

D422,863 S	4/2000	Warner et al.	
D425,770 S *	5/2000	Hsieh	D8/29
6,176,157 B1 *	1/2001	Ure	81/124.2
6,745,649 B1 *	6/2004	Liao	81/121.1
6,901,824 B1 *	6/2005	Chen	81/63.2
6,945,142 B1 *	9/2005	Chen	81/124.3
7,066,056 B1 *	6/2006	Hsieh	81/63.2
7,117,769 B2	10/2006	Somers	
7,159,491 B1 *	1/2007	Chaconas et al.	81/58.1
D628,868 S *	12/2010	Laurie	D8/29

(Continued)

**OTHER PUBLICATIONS**

Socket Set Torx 1/4" DRV 22 pcs—77390—Tools.

(Continued)

**Related U.S. Application Data**

- (62) Division of application No. 29/402,285, filed on Sep. 22, 2011, now abandoned.
- (51) **LOC (10) Cl.** ..... **08-05**
- (52) **U.S. Cl.**  
USPC ..... **D8/29**
- (58) **Field of Classification Search**  
USPC ..... D8/29, 85, 81, 82; 81/60, 177.1, 81/177.85, 121.1, 124.3, 165–170, 110.1, 81/176.2, 124.6, 176.1, 176.15, 177.2; 16/110.1; D15/144.1; 219/75, 227, 219/229, 121.16, 121.18  
CPC ..... B25B 1/00; B25B 13/00; B25B 31/00  
See application file for complete search history.

*Primary Examiner* — Randall Gholson

(74) *Attorney, Agent, or Firm* — Volpe and Koenig, P.C.

(57) **CLAIM**

The ornamental design for a hand held tool, as shown and described.

**DESCRIPTION**

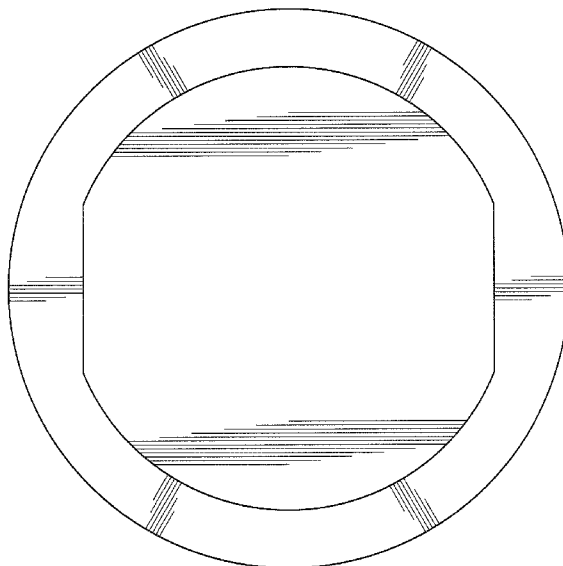
FIG. 1 is a top plan view of a hand held tool in accordance with my design;  
 FIG. 2 is a top, front, right perspective view thereof;  
 FIG. 3 is a bottom view thereof;  
 FIG. 4 is a bottom, rear, left perspective view thereof; and  
 FIG. 5 is an elevational view thereof;  
 FIG. 6 is a top plan view of a second embodiment of a hand held tool in accordance with my design;  
 FIG. 7 is a top, front, right perspective view thereof;  
 FIG. 8 is a bottom view thereof;  
 FIG. 9 is a bottom, left, rear perspective view thereof; and  
 FIG. 10 is an elevational view thereof.  
 The broken lines depict portions of the hand held tool that form no part of the claimed design.

**1 Claim, 10 Drawing Sheets**

(56) **References Cited**

**U.S. PATENT DOCUMENTS**

1,438,908 A	12/1922	Fahlman	
1,696,444 A	12/1928	Miller et al.	
2,065,340 A	12/1936	McNaught et al.	
4,699,029 A *	10/1987	Kelly et al.	81/121.1
4,817,475 A *	4/1989	Kelly et al.	81/121.1
4,922,770 A	5/1990	Dlugolecki et al.	
5,295,422 A *	3/1994	Chow	81/124.3
D405,333 S	2/1999	Wrigley	



# US D738,173 S

Page 2

---

(56)

## References Cited

## OTHER PUBLICATIONS

### U.S. PATENT DOCUMENTS

D630,920 S \* 1/2011 Smith ..... D8/29  
8,205,529 B1 \* 6/2012 Laurie ..... 81/177.85

17 pcs Socket Set (1/4).

\* cited by examiner

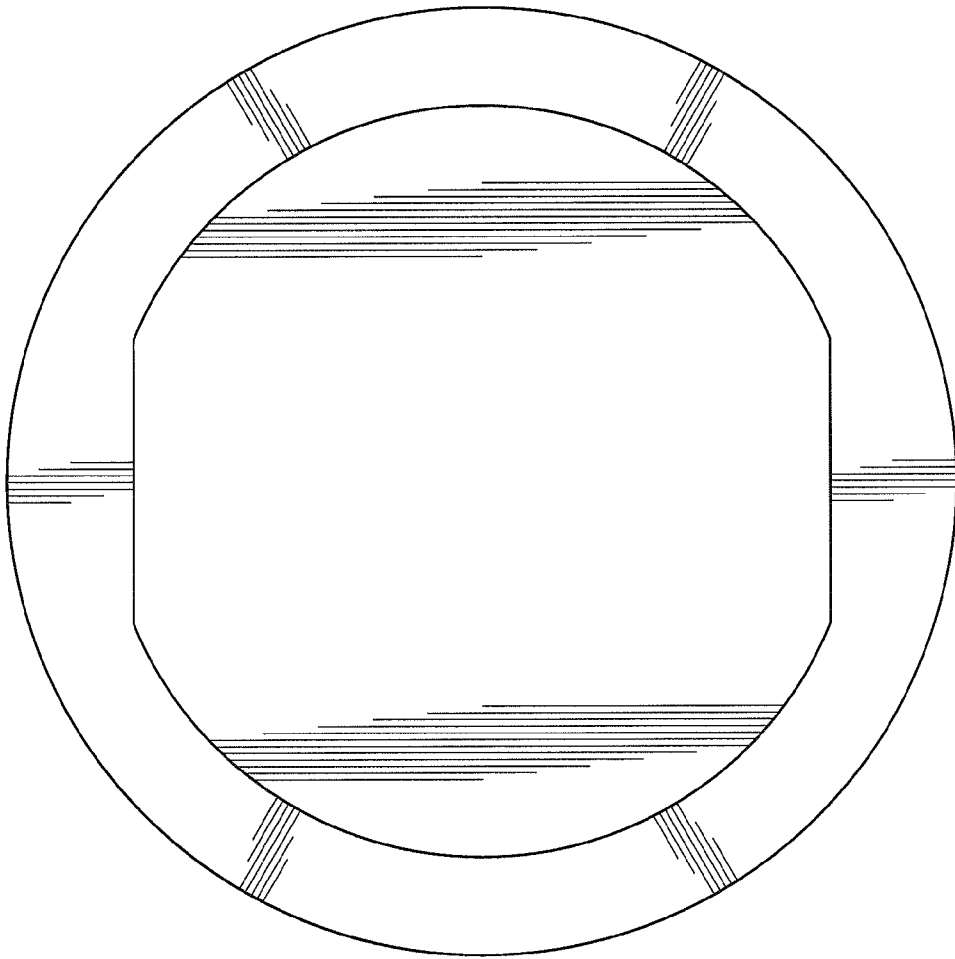


Fig. 1

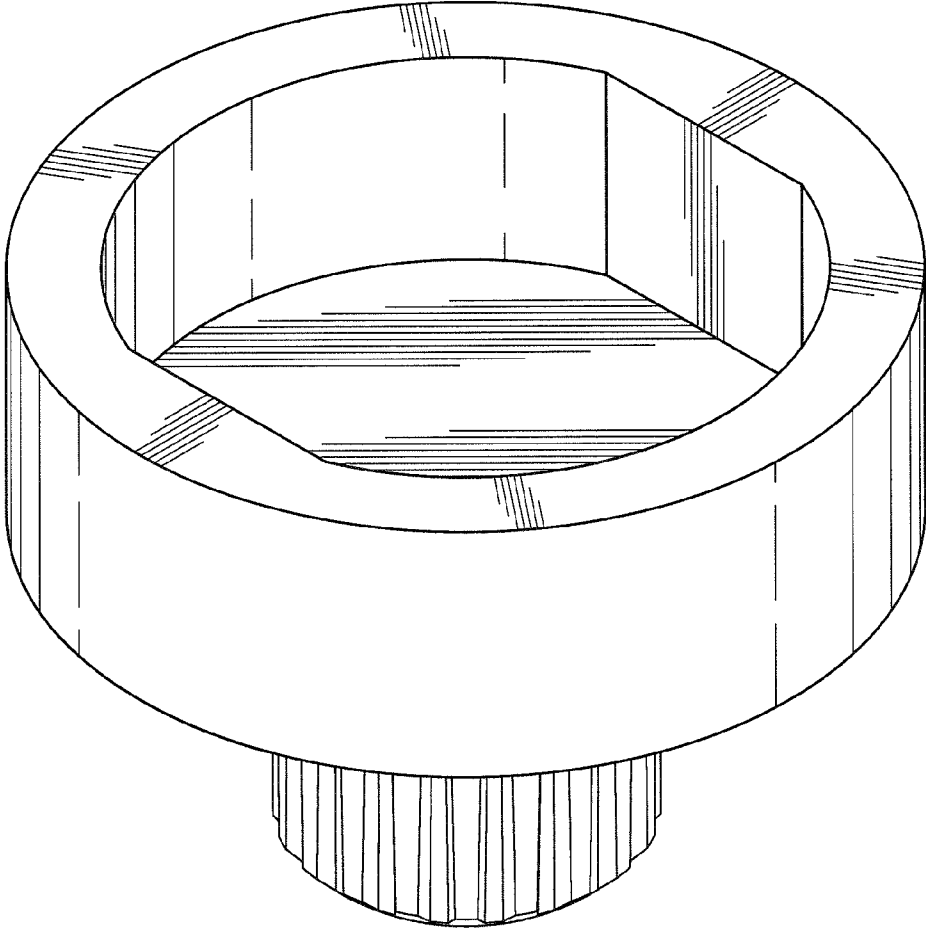


Fig. 2

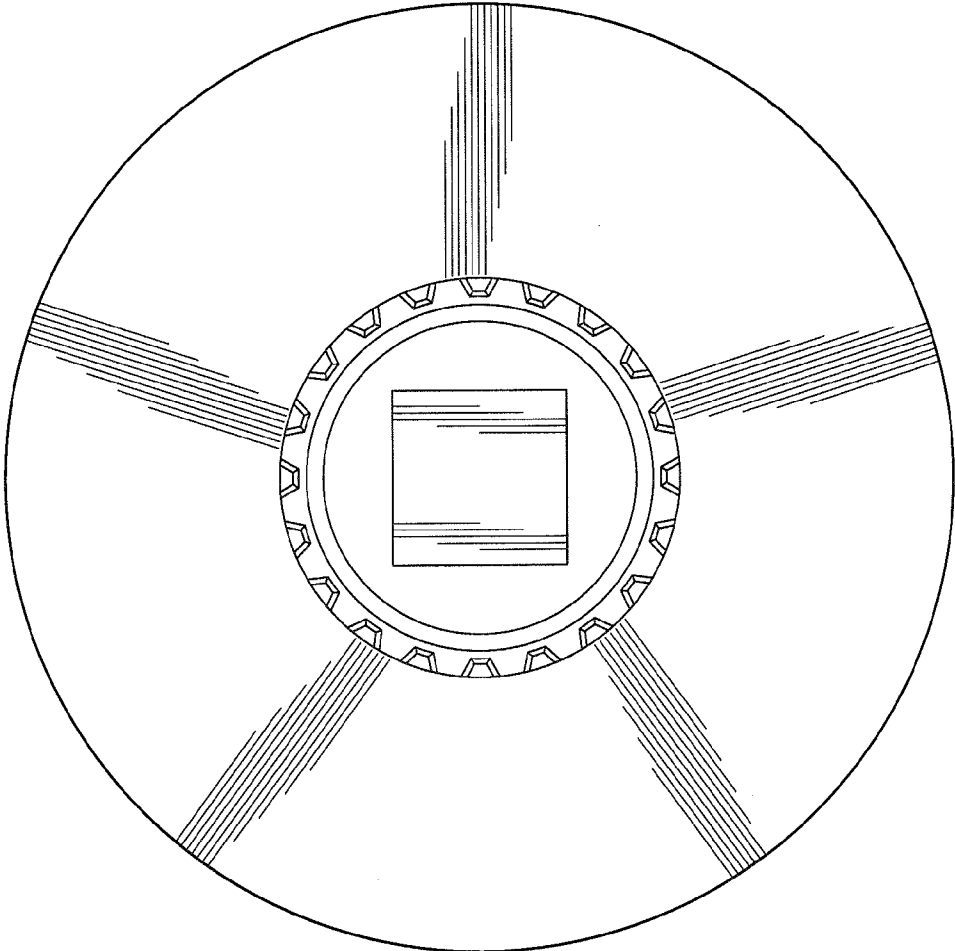


Fig. 3

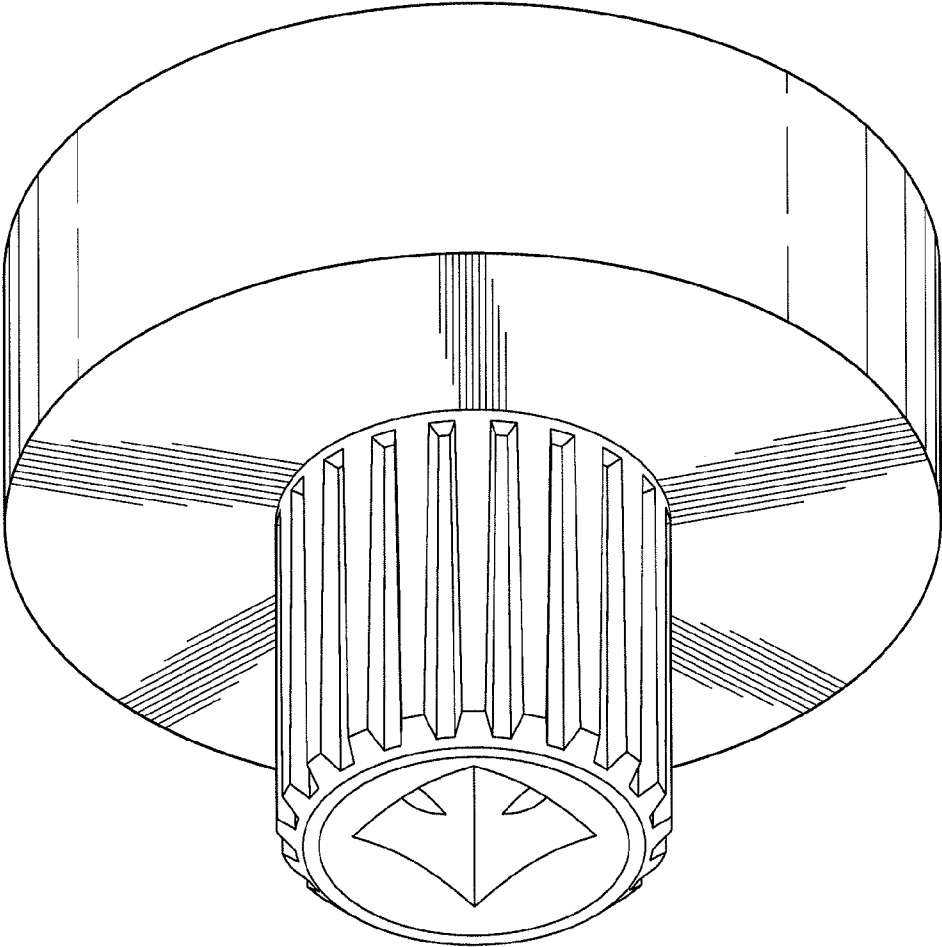


Fig. 4

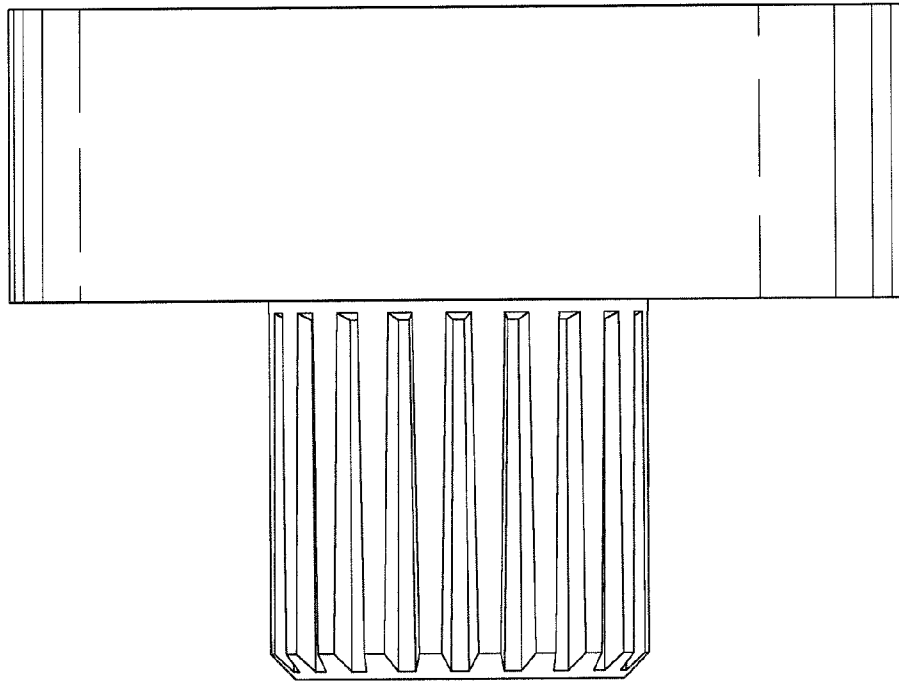


Fig. 5

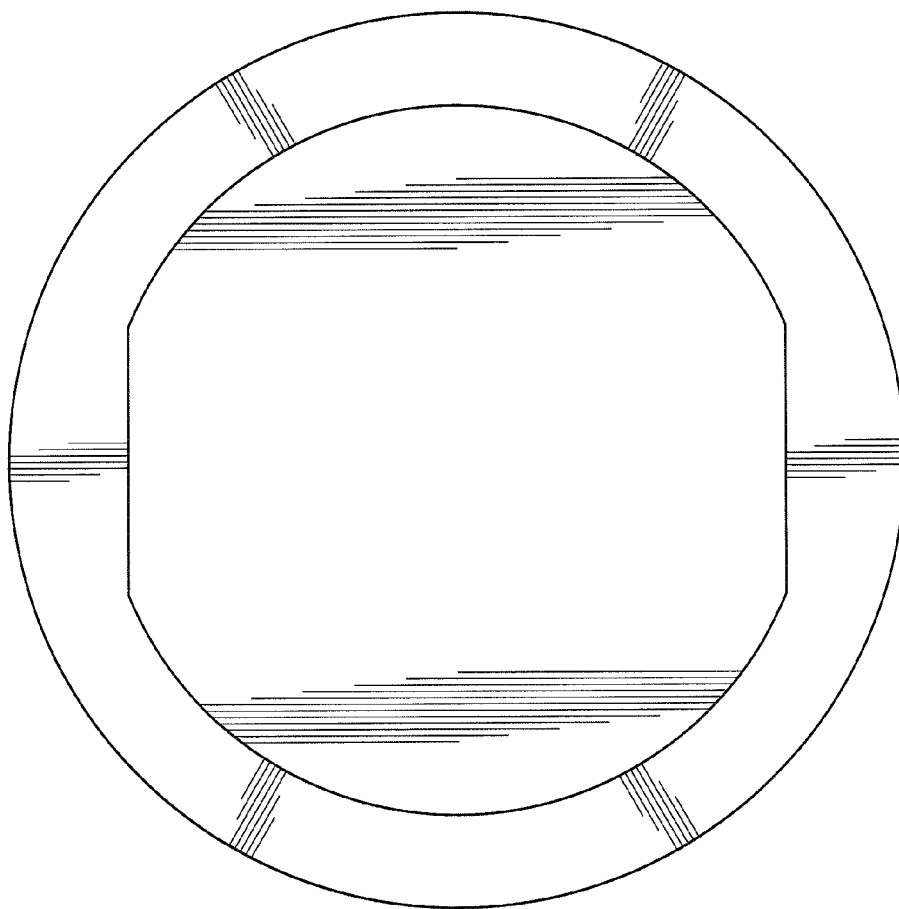


Fig. 6



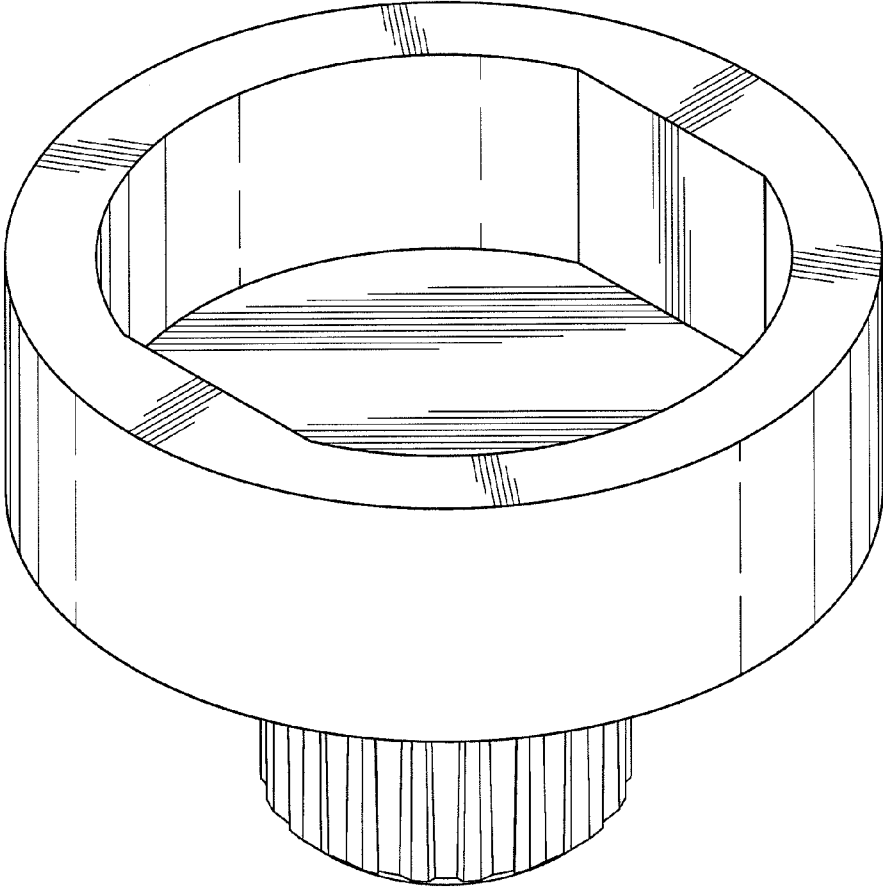


Fig. 7

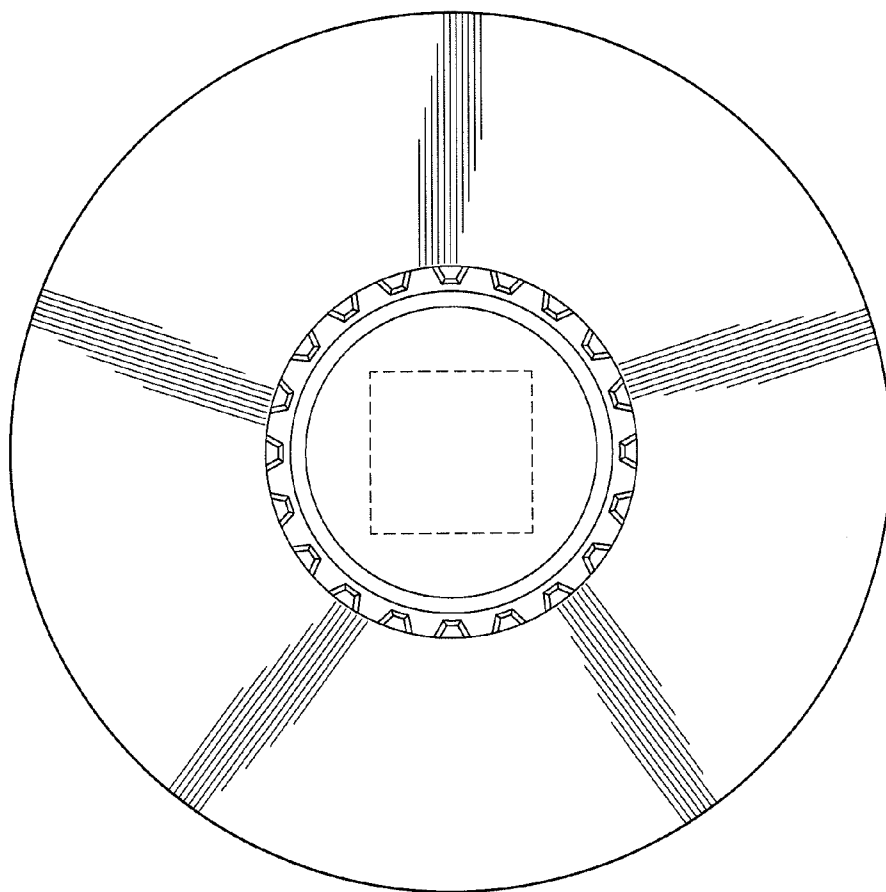


Fig. 8

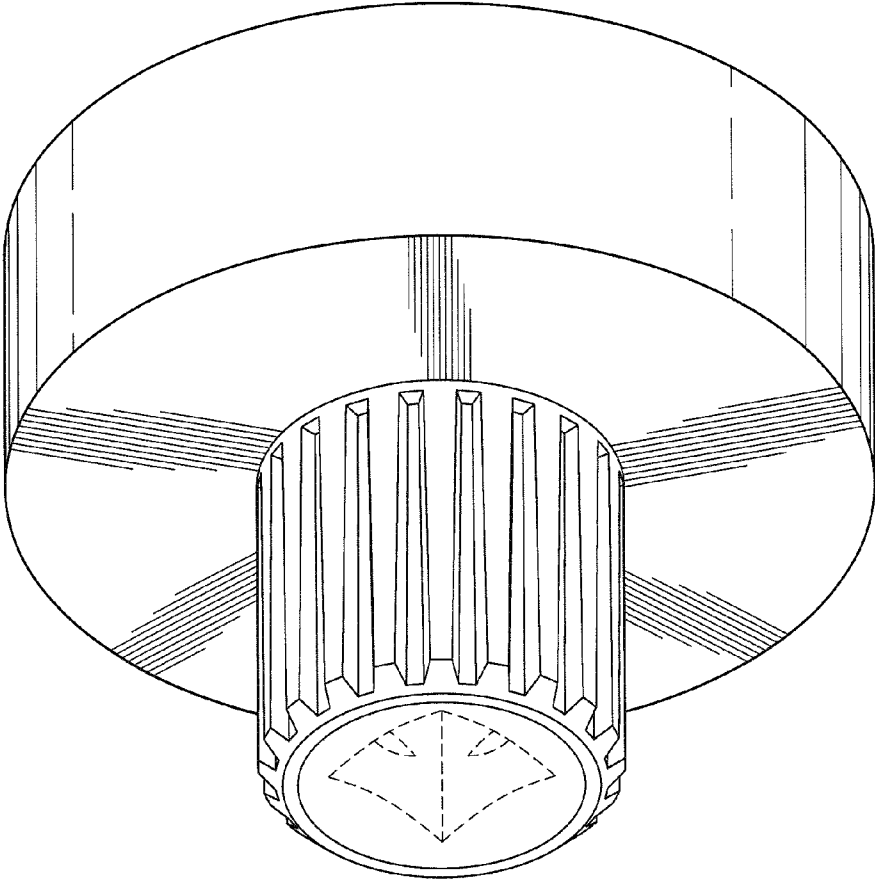


Fig. 9

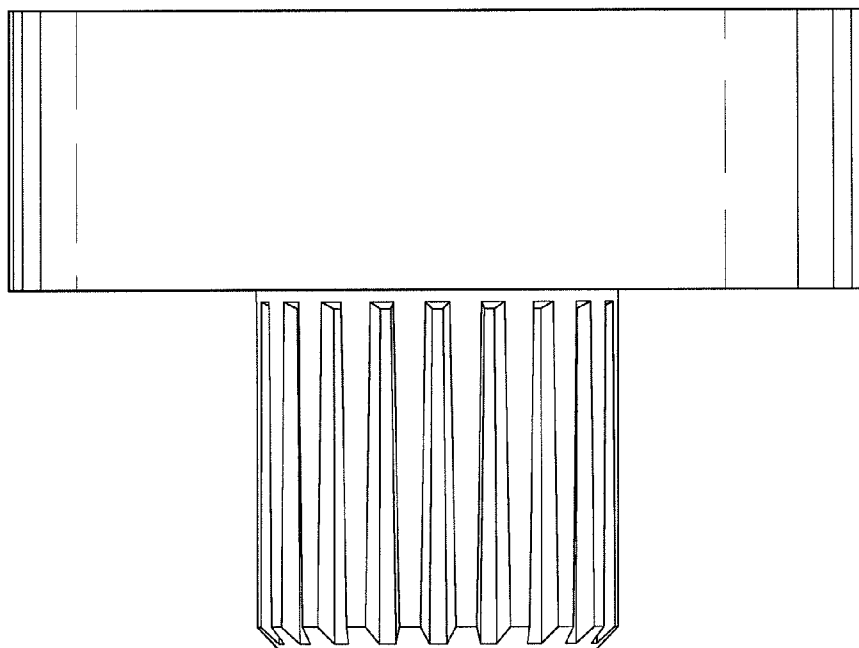


Fig. 10