



US00D859283S

(12) **United States Design Patent** (10) **Patent No.:** **US D859,283 S**
Adler et al. (45) **Date of Patent:** **** Sep. 10, 2019**

(54) **CARRIER**

(71) Applicant: **Thule Sweden AB**, Hillerstorp (SE)

(72) Inventors: **Jan Adler**, Skillingaryd (SE); **Henrik Eriksson**, Jönköping (SE)

(73) Assignee: **Thule Sweden AB**, Hillerstorp (SE)

(**) Term: **15 Years**

(21) Appl. No.: **29/589,355**

(22) Filed: **Dec. 30, 2016**

(51) **LOC (12) Cl.** **12-16**

(52) **U.S. Cl.**
USPC **D12/412**

(58) **Field of Classification Search**
USPC D12/406, 412, 413, 414, 414.1; D6/552;
D3/304, 305, 306
CPC .. A63C 11/02; B60R 9/00; B60R 9/02; B60R
9/04; B60R 9/08; B60R 9/042; B60R
9/045; B60R 9/048; B60R 9/05; B60R
9/052; B60R 9/055; B60R 9/058; B60R
9/06; B60R 9/065; B60R 9/10; B60R
9/12
See application file for complete search history.

(56) **References Cited**

U.S. PATENT DOCUMENTS

D235,759	S	*	7/1975	Parsons	D12/412
D302,000	S	*	7/1989	Arvidsson	D12/412
4,930,671	A	*	6/1990	Tittel	B60R 9/12 224/315
5,119,980	A	*	6/1992	Grim	B60R 9/12 224/315
D332,243	S	*	1/1993	Collins	D12/413
D348,034	S	*	6/1994	Mann	D12/412
D415,096	S		10/1999	Englander et al.		
D555,573	S	*	11/2007	Kemery	D12/412
D577,327	S		9/2008	Jung et al.		
D627,704	S		11/2010	Bucher et al.		

(Continued)

OTHER PUBLICATIONS

“Wintersport—Thule Xtender Ski Carrier,” Youtube.com, <<https://www.youtube.com/watch?v=CblV5TwmMgs&feature=youtu.be>>, dated June 18, 2012, 3 pages.

Primary Examiner — Susan E Krakower

Assistant Examiner — Jerry Shiuan-Hua Hsu

(74) *Attorney, Agent, or Firm* — Sterne, Kessler, Goldstein & Fox P.L.L.C.

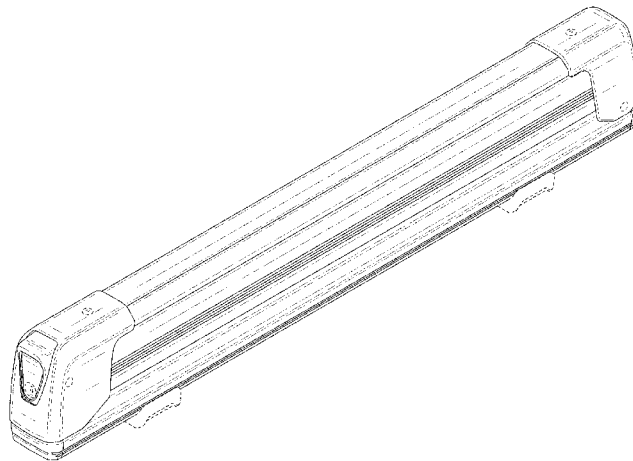
(57) **CLAIM**

The ornamental design for a carrier, as shown and described.

DESCRIPTION

FIG. 1 is a top front perspective view of a carrier showing the claimed design;
FIG. 2 is a right side view thereof;
FIG. 3 is a left side view thereof;
FIG. 4 is a front view thereof;
FIG. 5 is a rear view thereof;
FIG. 6 is a top view thereof;
FIG. 7 is a bottom view thereof;
FIG. 8 is a top front perspective view thereof in an open and extended configuration;
FIG. 9 is a right side view thereof in the open and extended configuration;
FIG. 10 is a left side view thereof in the open and extended configuration;
FIG. 11 is a front view thereof in the open and extended configuration;
FIG. 12 is a rear view thereof in the open and extended configuration;
FIG. 13 is a top view thereof in the open and extended configuration; and,
FIG. 14 is a bottom view thereof in the open and extended configuration.
The broken lines in the figures show portions of the carrier that form no part of the claimed design.

1 Claim, 14 Drawing Sheets



(56)

References Cited

U.S. PATENT DOCUMENTS

D628,949 S * 12/2010 Farber D12/412
D633,030 S 2/2011 Robertson
D642,112 S * 7/2011 Farber D12/414
D642,113 S * 7/2011 Farber D12/414
D657,301 S * 4/2012 Bogoslofski B60R 9/08
D12/406
D665,726 S * 8/2012 Eriksson D12/412
D691,550 S 10/2013 Moeller
D719,902 S 12/2014 Sautter et al.
D719,903 S * 12/2014 Sautter D12/412
D778,224 S * 2/2017 Eriksson D12/412
2014/0143990 A1 5/2014 Sautter et al.
2015/0191127 A1* 7/2015 Sautter B60R 9/08
224/331
2016/0184689 A1* 6/2016 Magnusson A63C 11/02
280/814

* cited by examiner

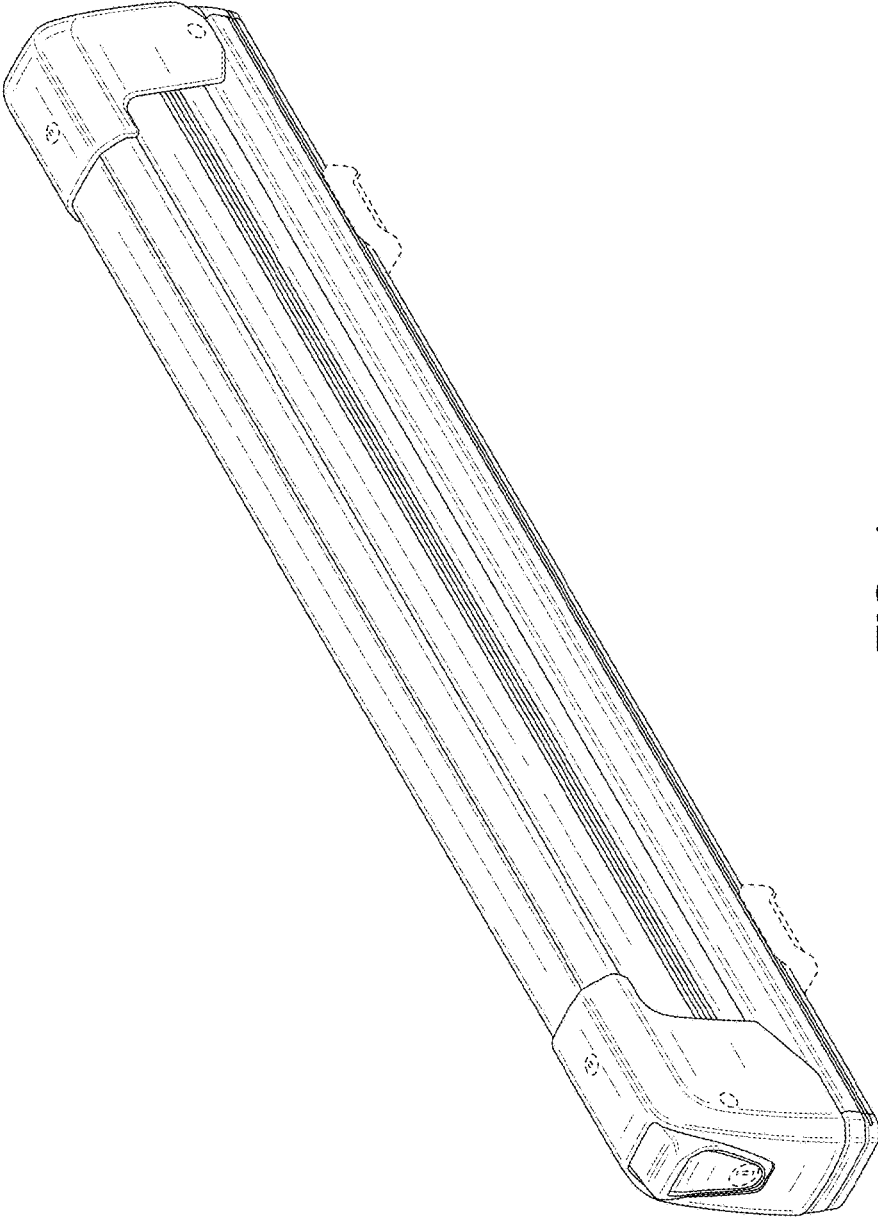


FIG. 1

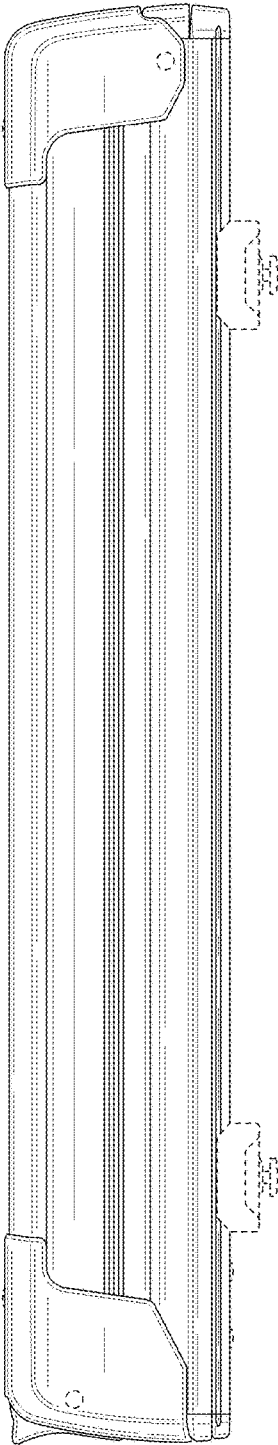


FIG. 2

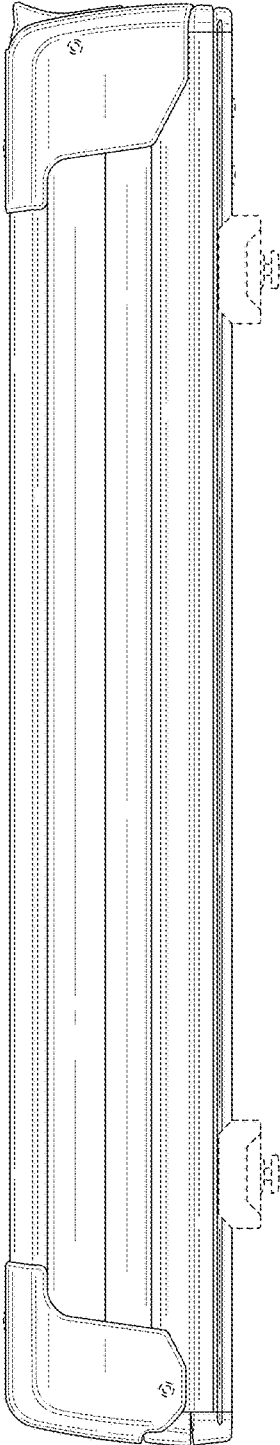


FIG. 3

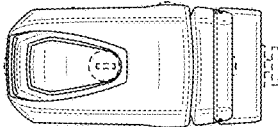


FIG. 4

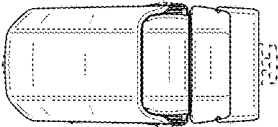


FIG. 5

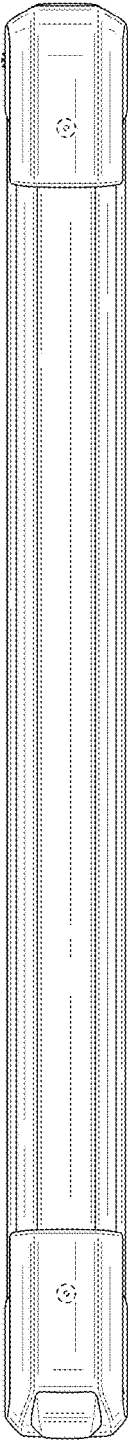


FIG. 6

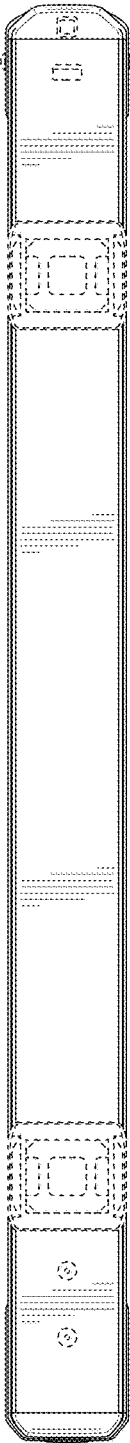


FIG. 7

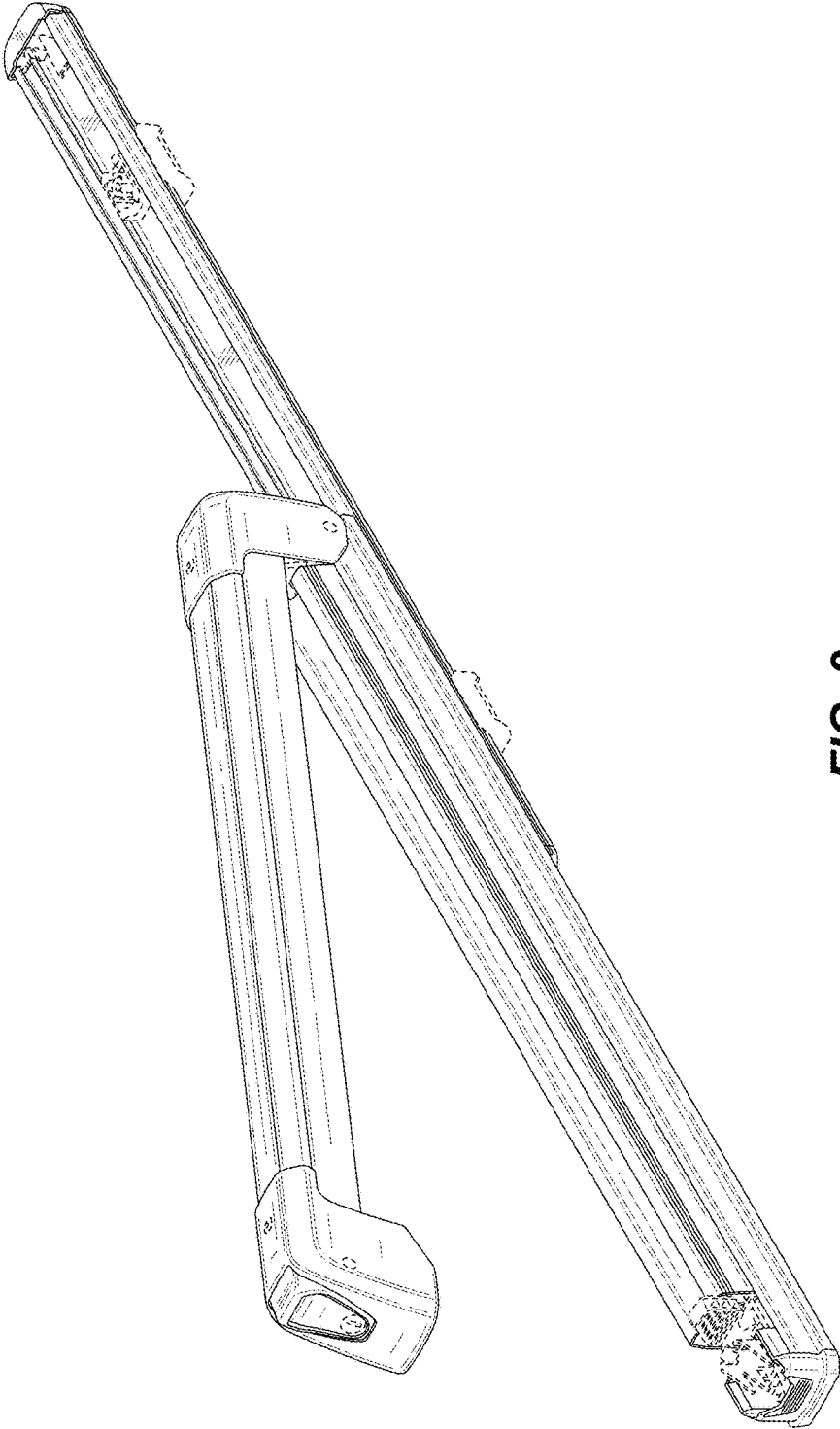


FIG. 8

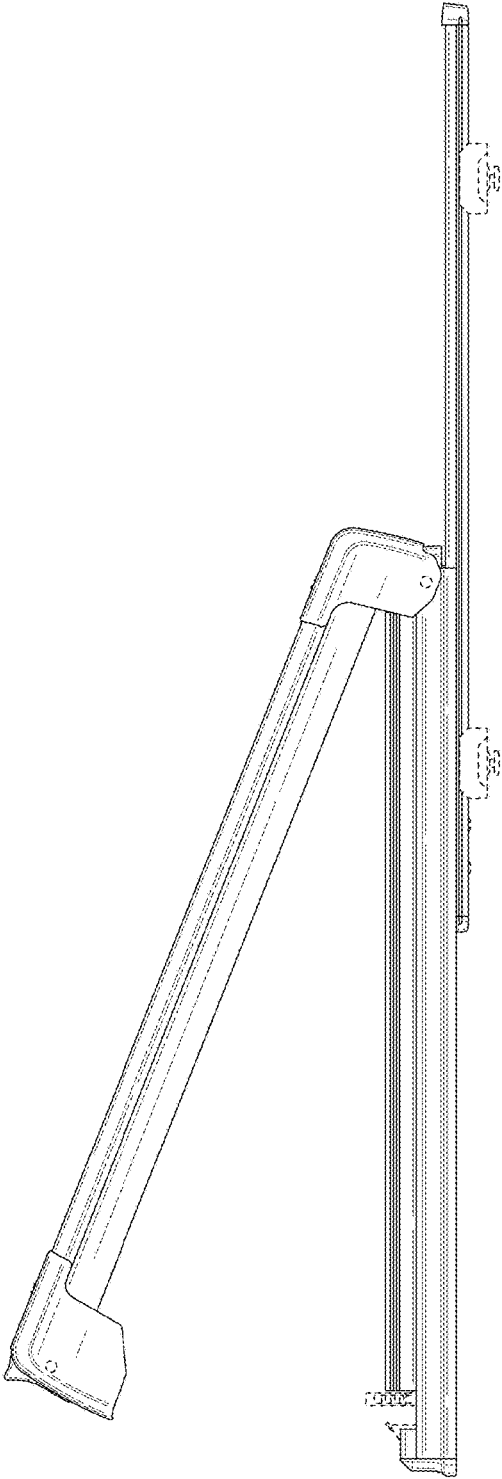


FIG. 9

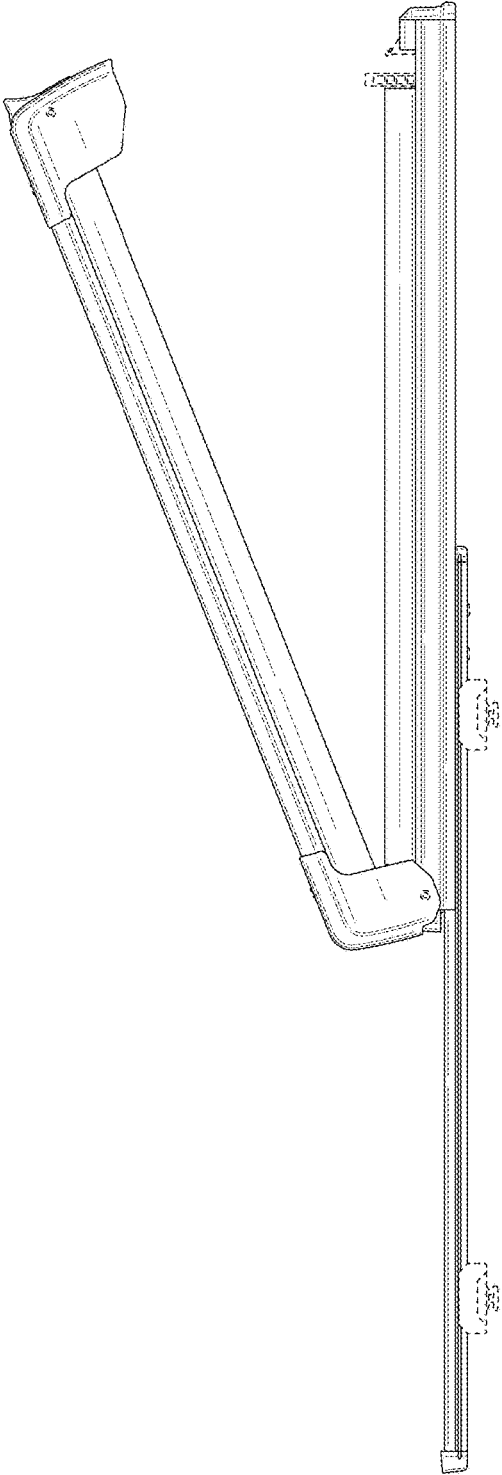


FIG. 10



FIG. 11

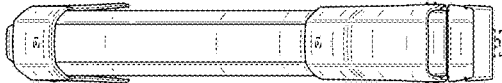


FIG. 12



FIG. 13

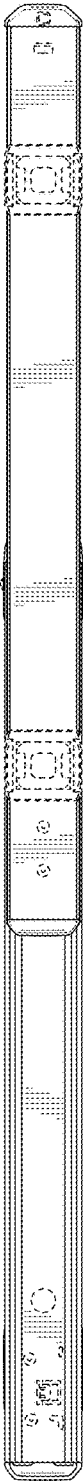


FIG. 14