



US00D560247S

(12) **United States Design Patent**
Alm

(10) **Patent No.:** **US D560,247 S**

(45) **Date of Patent:** **** Jan. 22, 2008**

(54) **CAMERA**

(75) Inventor: **Carl-Axel Alm**, Lund (SE)

(73) Assignee: **Axis, AB**, Lund (SE)

(**) Term: **14 Years**

(21) Appl. No.: **29/267,717**

(22) Filed: **Oct. 18, 2006**

Related U.S. Application Data

(63) Continuation-in-part of application No. 29/259,655, filed on May 13, 2006.

(30) **Foreign Application Priority Data**

Nov. 14, 2005 (EM) 000430947

(51) **LOC (8) Cl.** **16-05**

(52) **U.S. Cl.** **D16/219; D16/203**

(58) **Field of Classification Search** **D10/106;**

D16/200-205, 208, 218, 219; 348/143, 151,

348/373-376; 396/427, 535, 536-541

See application file for complete search history.

(56) **References Cited**

U.S. PATENT DOCUMENTS

D391,184 S * 2/1998 Kawabata D10/106

D412,924 S * 8/1999 Hiraguchi D16/219

D416,273 S * 11/1999 Yamakawa et al. D16/203

D425,535 S * 5/2000 Mutoh et al. D16/203

D426,250 S * 6/2000 Lefkowitz D16/203

D449,630 S * 10/2001 Rak et al. D16/203

D452,696 S * 1/2002 Fenton D16/203

6,715,940 B2 * 4/2004 Top et al. 396/427

* cited by examiner

Primary Examiner—Adir Aronovich

(74) *Attorney, Agent, or Firm*—IP Creators; Charles C Cary

(57) **CLAIM**

The ornamental design for camera, as shown and described.

DESCRIPTION

FIG. 1 is a top, front perspective view of a camera in accordance with the new design;

FIG. 2 is a bottom, front perspective view thereof;

FIG. 3 is a front elevational view thereof;

FIG. 4 is a right elevational view thereof;

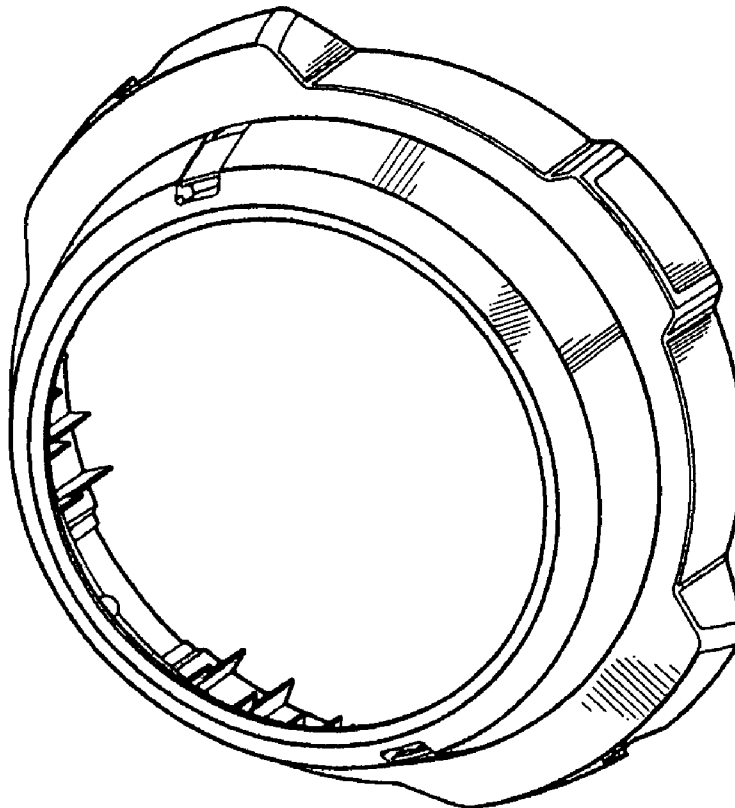
FIG. 5 is a rear elevational view thereof;

FIG. 6 is a top plan view thereof;

FIG. 7 is a left elevational view thereof; and,

FIG. 8 is a bottom plan view thereof.

1 Claim, 4 Drawing Sheets



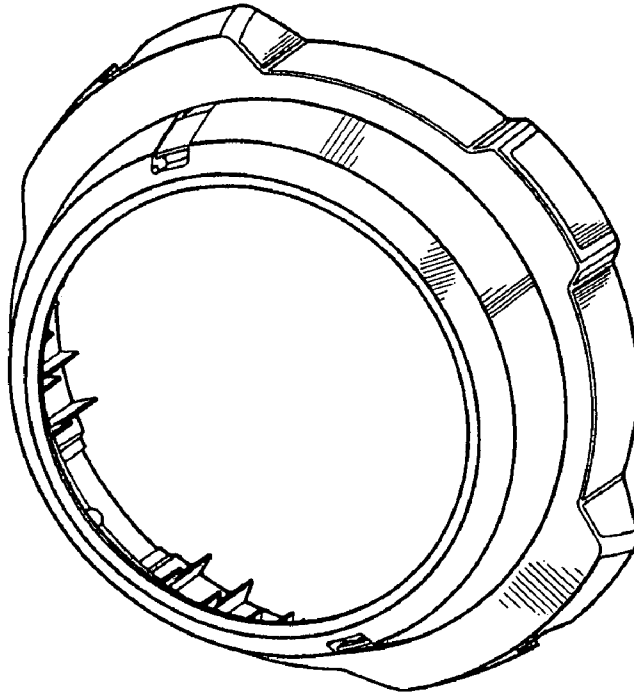


Figure 1

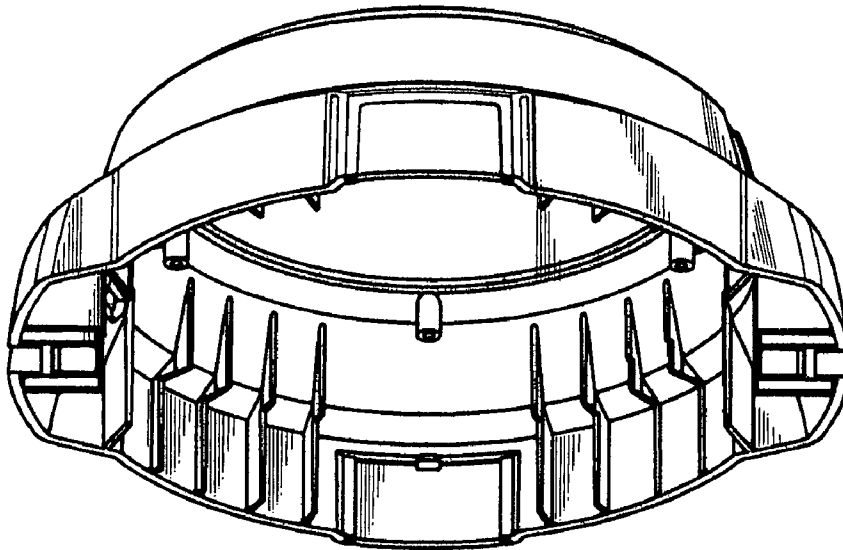


Figure 2

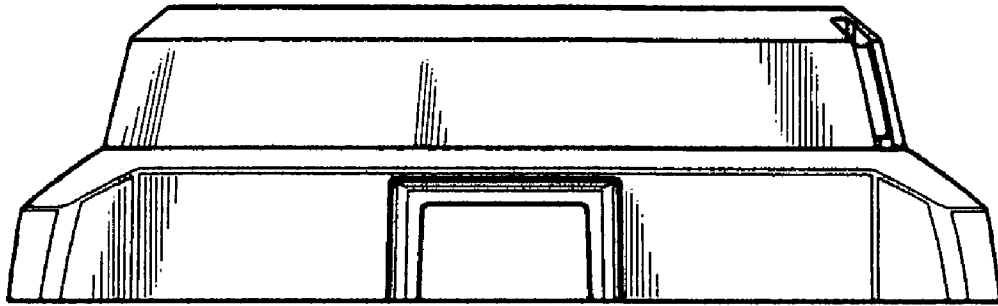


Figure 3

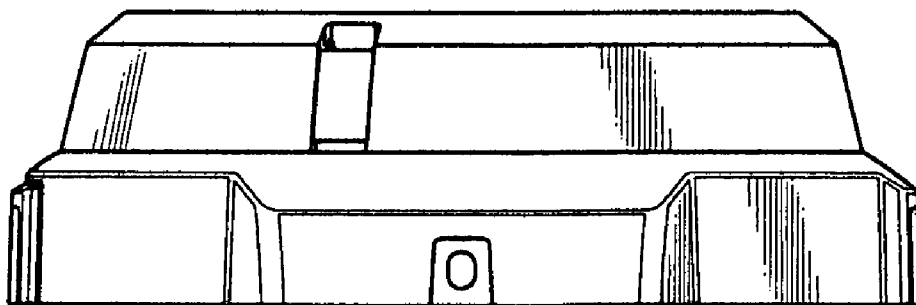


Figure 4

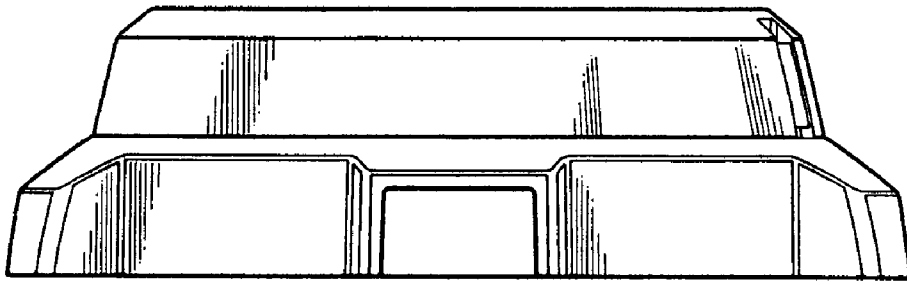


Figure 5

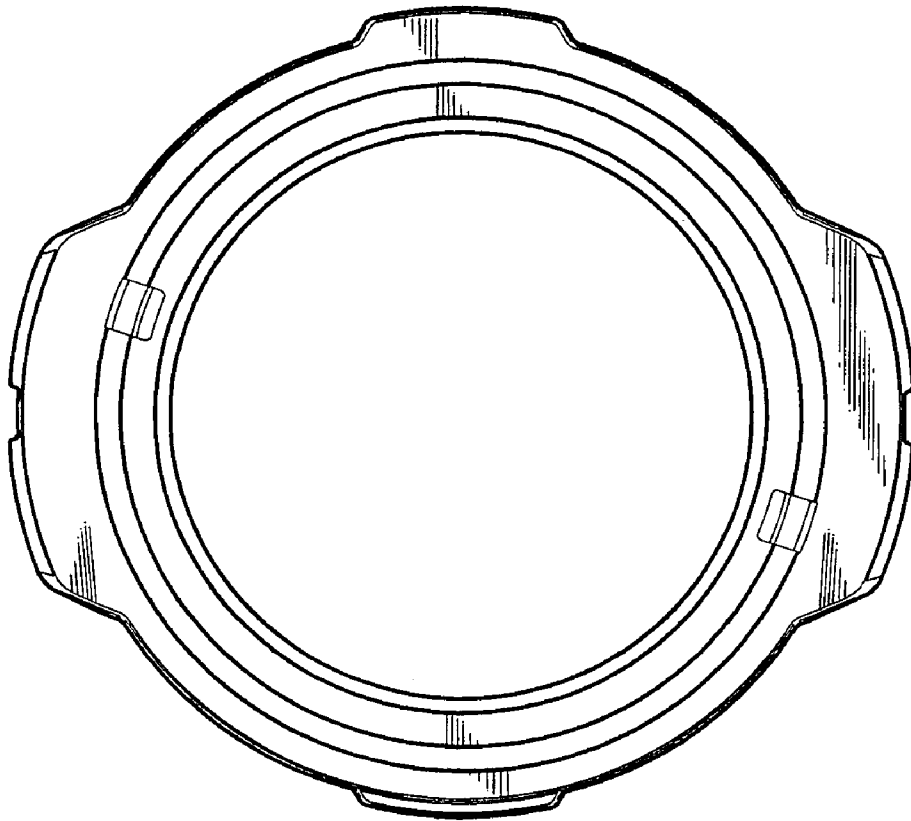


Figure 6

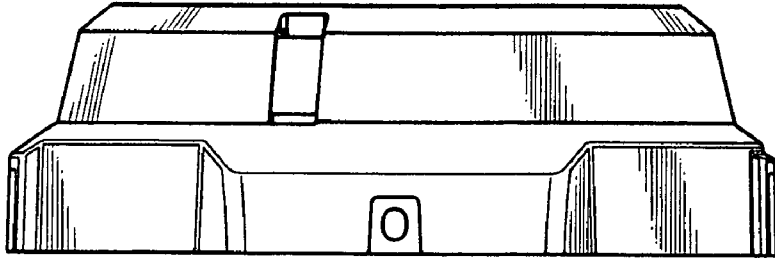


Figure 7

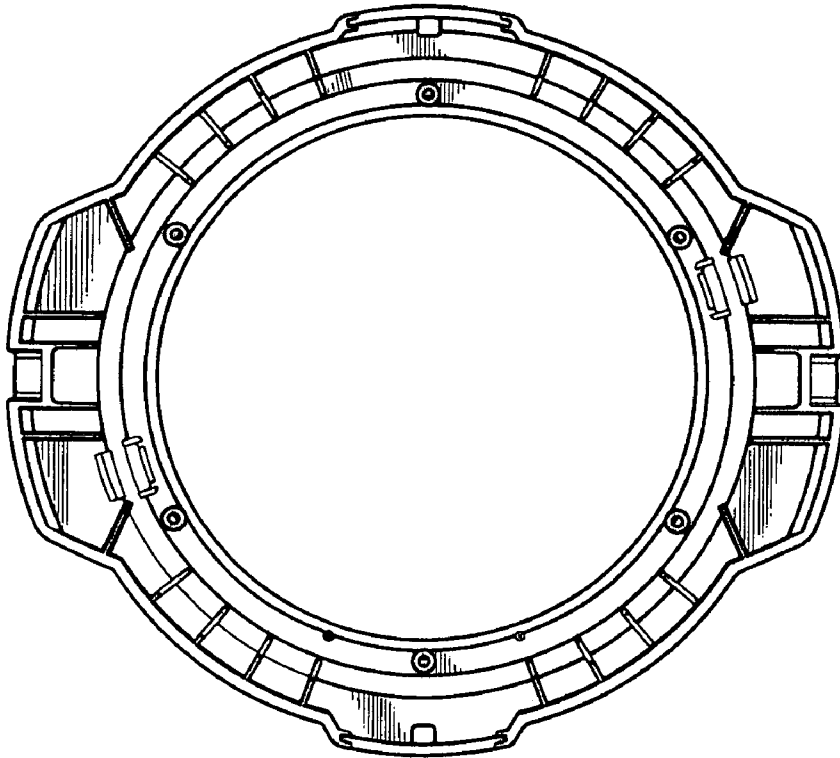


Figure 8