



US00D668371S

(12) **United States Design Patent**
Alpaslan et al.

(10) **Patent No.:** **US D668,371 S**

(45) **Date of Patent:** **** Oct. 2, 2012**

(54) **LUMINAIRE**

(75) Inventors: **Kaan Alpaslan**, Regensburg (DE);
Klaus Burkard, Regensburg (DE)

(73) Assignee: **OSRAM AG**, Munich (DE)

(**) Term: **14 Years**

(21) Appl. No.: **29/375,872**

(22) Filed: **Sep. 29, 2010**

(30) **Foreign Application Priority Data**

Mar. 29, 2010 (EM) 001207914

(51) **LOC (9) Cl.** **26-05**

(52) **U.S. Cl.** **D26/72; D26/75**

(58) **Field of Classification Search** D26/72,
D26/74, 75, 76, 77, 78, 79, 80, 81, 82, 83,
D26/84, 85, 88, 89, 90, 122; 362/145, 146,
362/147, 148, 150, 151, 152, 153, 153.1,
362/217.01, 217.02, 217.05, 217.06, 217.07,
362/217.08, 217.09, 217.1, 217.11, 249.02,
362/260, 296.07, 311.02

See application file for complete search history.

(56) **References Cited**

U.S. PATENT DOCUMENTS

2,195,154	A *	3/1940	Scott	362/225
D121,094	S *	6/1940	Heath	D26/75
D122,864	S *	10/1940	Dreyfuss	D26/75
D169,999	S *	7/1953	Ainsworth	D26/78
4,751,627	A	6/1988	Usher	
D412,999	S *	8/1999	Herst et al.	D26/76
6,540,373	B2	4/2003	Bailey	

6,769,785	B1	8/2004	Herst et al.	
D525,738	S *	7/2006	Waycaster et al.	D26/76
D536,468	S *	2/2007	Crosby	D26/84
D584,848	S *	1/2009	Menke	D26/88
D591,444	S *	4/2009	Beno et al.	D26/88
D603,083	S *	10/2009	Trumble et al.	D26/90
D613,897	S *	4/2010	Thun	D26/88
D632,004	S *	2/2011	Waldmann	D26/88
2003/0031011	A1 *	2/2003	Miller et al.	362/150
2008/0266842	A1	10/2008	Skidmore et al.	

FOREIGN PATENT DOCUMENTS

DE	19801954	B4	7/2004
DE	10348229	A1	5/2005
DE	202008004795	U1	7/2008

OTHER PUBLICATIONS

English language abstract of DE 103 48 229 A1.
English language abstract of DE 198 01 954 B4.
English-language machine translation of DE 20 2008 004 795 U1.

* cited by examiner

Primary Examiner — Angela J Lee

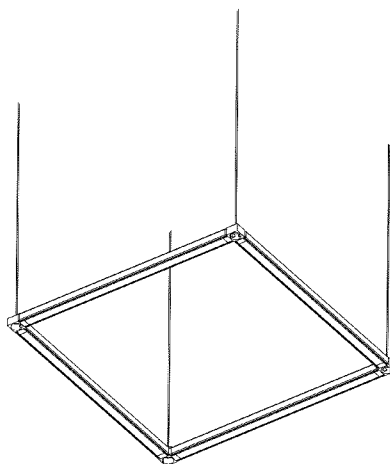
(57) **CLAIM**

The ornamental design for a luminaire, as shown and described.

DESCRIPTION

FIG. 1 is a bottom and side perspective view of a luminaire showing the new design;
FIG. 2 is a bottom view thereof; and,
FIG. 3 is a left side elevational view thereof; the right side, front and back elevational views being identical to the left side elevational view thereof.

1 Claim, 2 Drawing Sheets



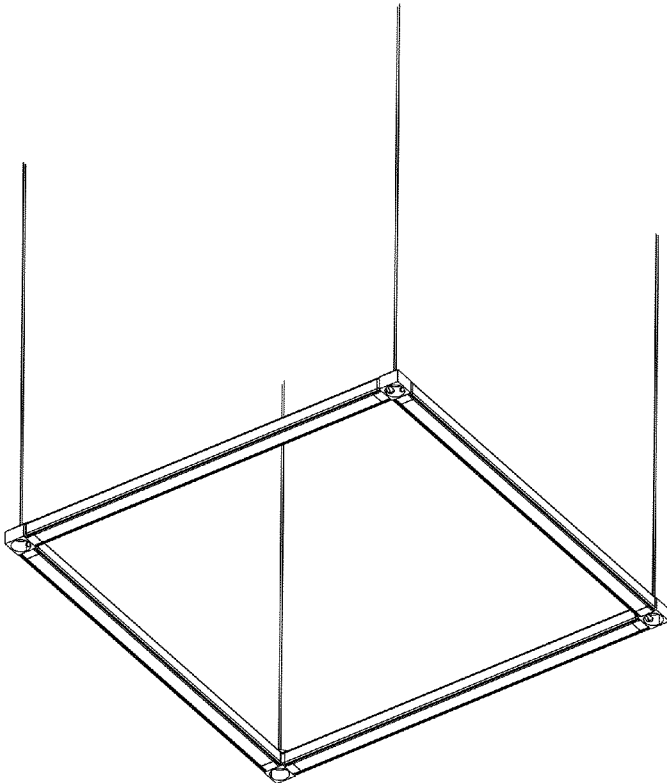


Fig. 1

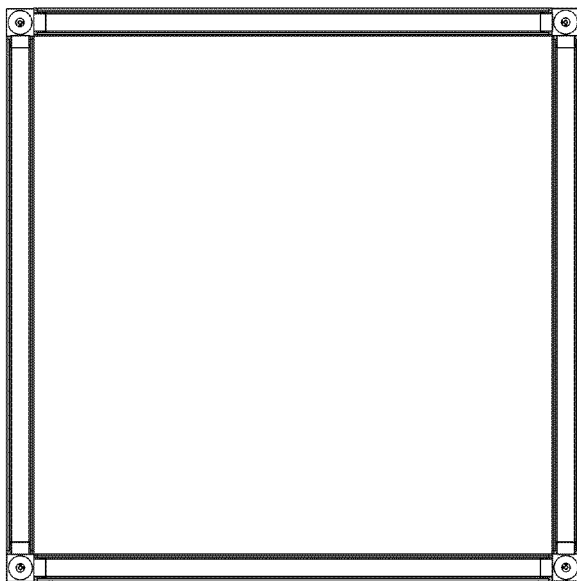


Fig. 2



Fig. 3