



US00D630305S

(12) **United States Design Patent**
Adams et al.

(10) **Patent No.:** **US D630,305 S**

(45) **Date of Patent:** **** Jan. 4, 2011**

(54) **FITTING**

(75) Inventors: **Samuel P. Adams**, Jackson, TN (US);
Robert P. Scifres, Brownsville, TN
(US); **Joseph W. Ghering**, Jackson, TN
(US); **David A. McAllister**, Lakeland,
TN (US); **John C. McDonald**,
Germantown, TN (US)

(73) Assignee: **Lasco Fittings, Inc.**, Brownsville, TN
(US)

(**) Term: **14 Years**

(21) Appl. No.: **29/331,855**

(22) Filed: **Feb. 3, 2009**

(51) **LOC (9) Cl.** **23-01**

(52) **U.S. Cl.** **D23/259**

(58) **Field of Classification Search** D23/259-262;
D8/387, 397; 4/286-287; 114/197; 138/89,
138/91, 158; 217/110; 220/288; 222/552,
222/554, 546, 563; 285/139.1, 148.18, 148.23,
285/242, 251, 256, 353, 423, 921; 174/665,
174/68.1, 68.3; 52/220.7

See application file for complete search history.

(56) **References Cited**

U.S. PATENT DOCUMENTS

D163,487	S	*	5/1951	Schustack	D23/263
2,759,766	A	*	8/1956	Thomas	239/558
3,999,785	A	*	12/1976	Blakeley	285/111
4,602,504	A	*	7/1986	Barber	73/49.8
4,834,667	A		5/1989	Fowler et al.		
5,076,095	A	*	12/1991	Erhardt	73/49.8
5,215,336	A		6/1993	Worthing		
5,496,189	A		3/1996	Over et al.		
D387,126	S	*	12/1997	Hayden	D23/213
D389,562	S	*	1/1998	Picton	D23/263
D440,638	S	*	4/2001	Lefroy-Brooks	D23/255
D454,940	S	*	3/2002	Hoening	D23/259

6,557,900	B1		5/2003	Austin		
D481,110	S	*	10/2003	Snyder et al.	D23/263
D516,686	S	*	3/2006	Wilk et al.	D23/262
D517,176	S	*	3/2006	Wilk et al.	D23/262
7,055,865	B2	*	6/2006	Riordan et al.	285/133.21
7,156,424	B2		1/2007	McCord		
7,281,411	B2	*	10/2007	Brewer	73/49.1
D582,457	S	*	12/2008	Davies et al.	D15/199
D599,446	S	*	9/2009	Price et al.	D23/262
D614,737	S	*	4/2010	Lass	D23/262
D615,630	S	*	5/2010	Price et al.	D23/263
D615,631	S	*	5/2010	Price et al.	D23/263
2005/0001425	A1	*	1/2005	deCler et al.	285/305

OTHER PUBLICATIONS

Lasco Fittings, Inc. Schedule 80 PVC List Prices, Effective Dec. 6, 2004.

* cited by examiner

Primary Examiner—Celia A Murphy

Assistant Examiner—John Windmuller

(74) *Attorney, Agent, or Firm*—Calfee, Halter & Griswold LLP

(57)

CLAIM

We claim the ornamental design for a fitting, as shown and described.

DESCRIPTION

FIG. 1 is a front right top view of a fitting showing our new design;

FIG. 2 is a front view thereof;

FIG. 3 is a right side view thereof;

FIG. 4 is a left side view thereof;

FIG. 5 is a rear view thereof;

FIG. 6 is a top view thereof; and,

FIG. 7 is a bottom view thereof.

1 Claim, 7 Drawing Sheets

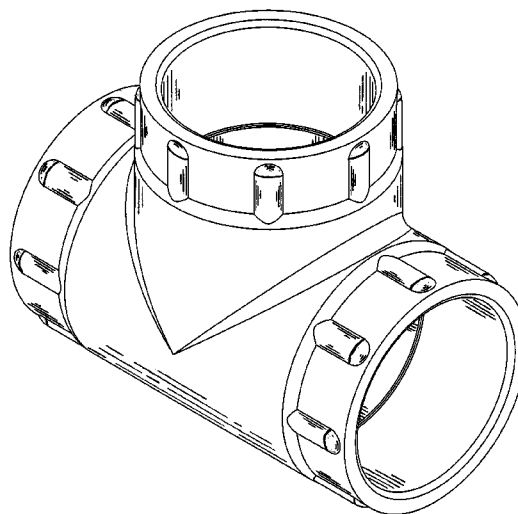


Fig. 1

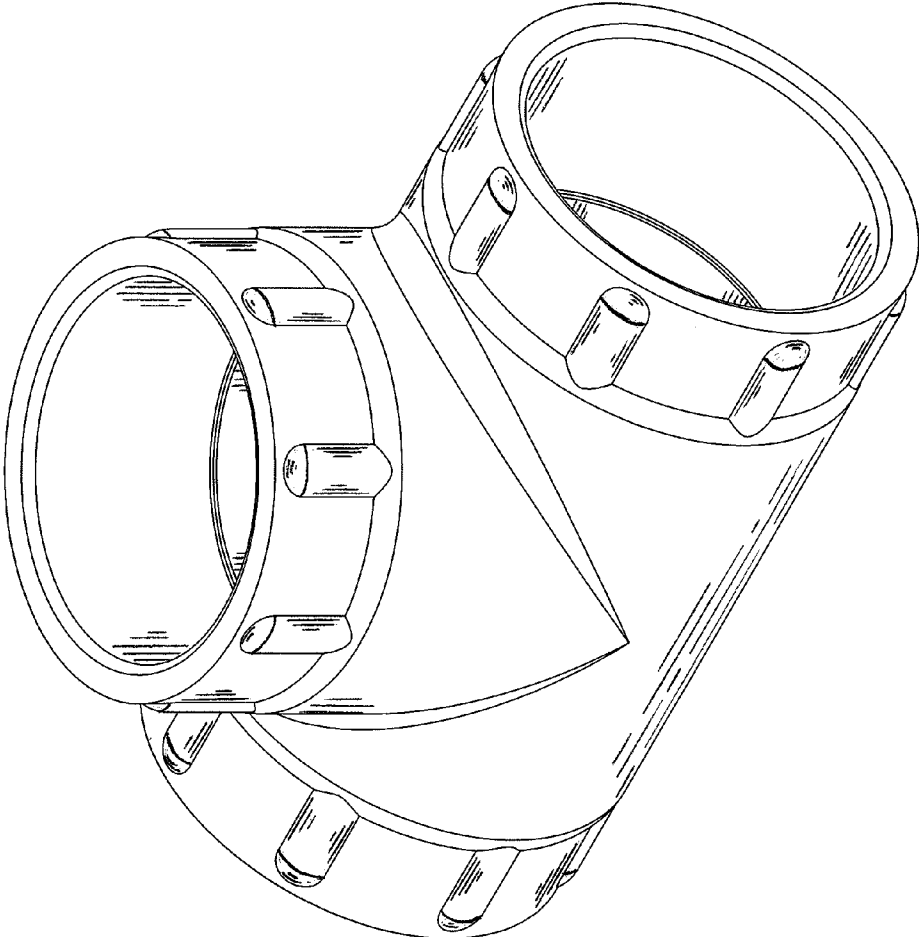


Fig. 2

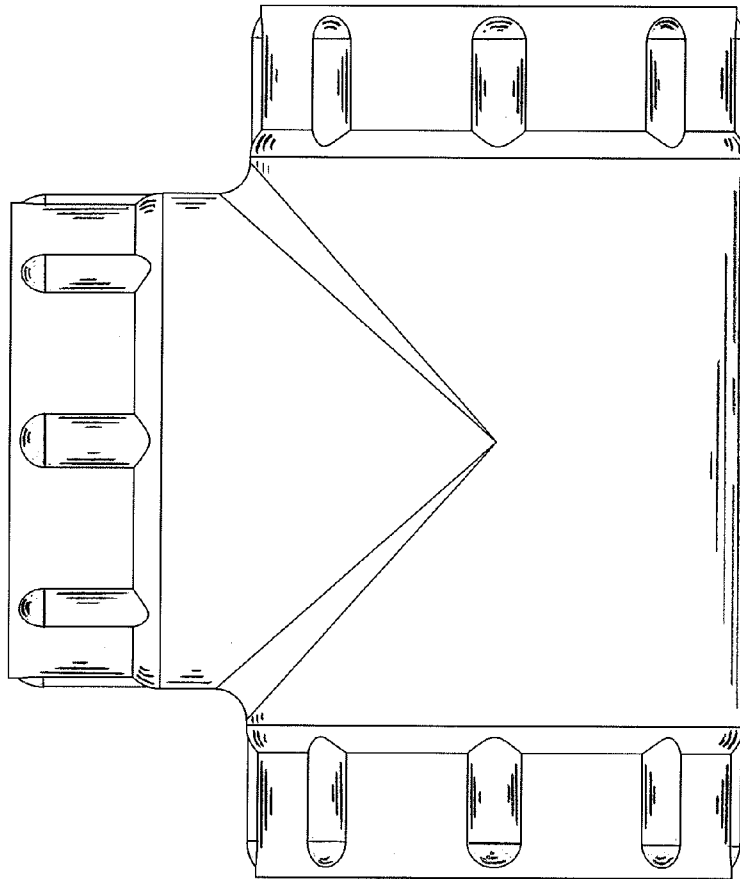


Fig. 3

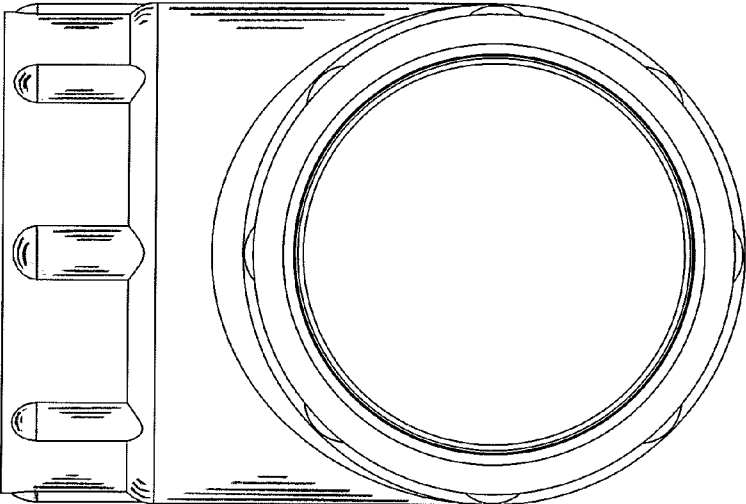


Fig. 4

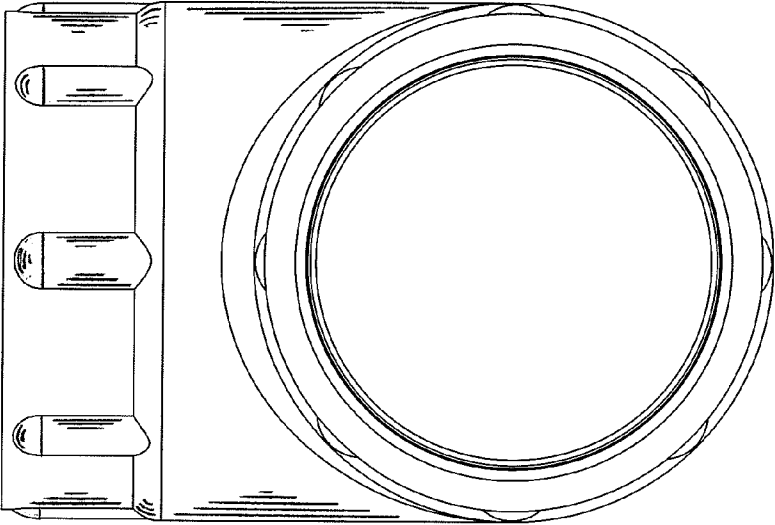


Fig. 5

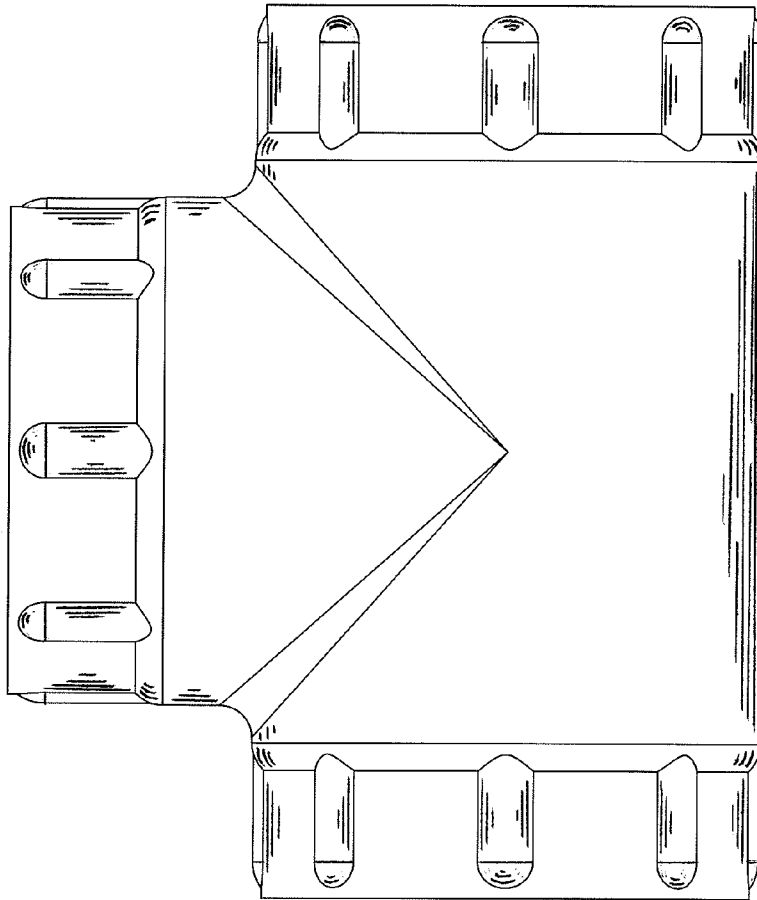


Fig. 6

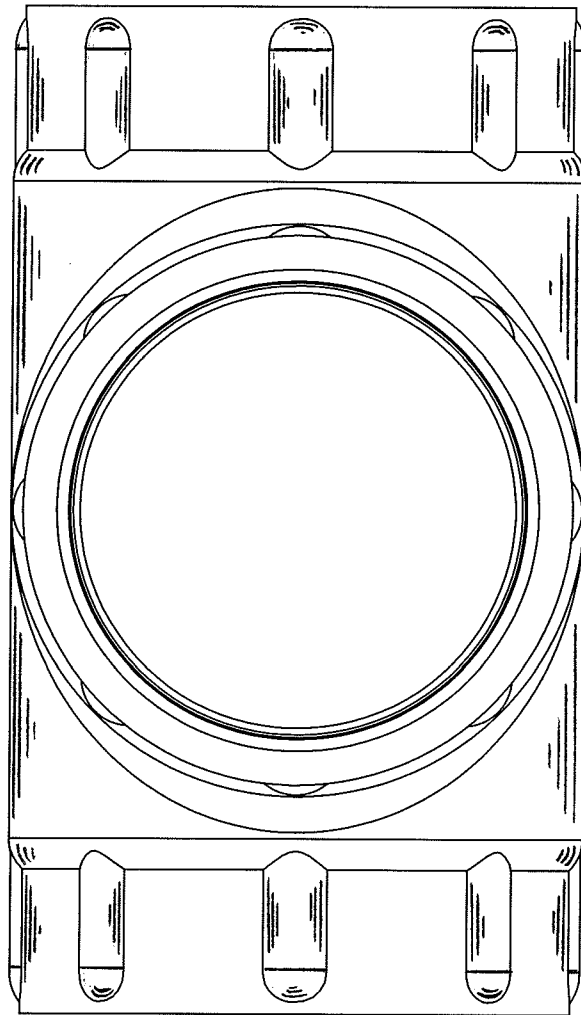


Fig. 7

