



US00D700409S

(12) **United States Design Patent**  
**Takahashi**

(10) **Patent No.:** **US D700,409 S**

(45) **Date of Patent:** **\*\* Feb. 25, 2014**

(54) **WASHING MACHINE**

(71) Applicant: **Panasonic Corporation**, Kadoma (JP)

(72) Inventor: **Kyoji Takahashi**, Shiga (JP)

(73) Assignee: **Panasonic Corporation**, Osaka (JP)

(\*\*) Term: **14 Years**

(21) Appl. No.: **29/433,753**

(22) Filed: **Oct. 4, 2012**

(30) **Foreign Application Priority Data**

Aug. 7, 2012 (JP) ..... 2012-018873

(51) **LOC (10) Cl.** ..... **15-05**

(52) **U.S. Cl.**

USPC ..... **D32/25**

(58) **Field of Classification Search**

USPC ..... D32/1, 5-6, 8, 10, 25; 68/3 R, 5 R,  
68/12.01, 12.07, 12.08, 212; 34/87-88,  
34/523-524

See application file for complete search history.

(56) **References Cited**

**U.S. PATENT DOCUMENTS**

D589,216 S	3/2009	Park et al.	
D620,650 S	* 7/2010	Lee	D32/6
D625,889 S	* 10/2010	Lee et al.	D32/6
D626,299 S	* 10/2010	Lee et al.	D32/6
D653,006 S	* 1/2012	Takahashi	D32/6

**OTHER PUBLICATIONS**

Certificate of Registration of European Community Design No. 001603648-0002, dated Aug. 24, 2009, 3 pages.

\* cited by examiner

*Primary Examiner* — T. Chase Nelson

*Assistant Examiner* — Kathleen M Sims

(74) *Attorney, Agent, or Firm* — Brinks Gilson & Lione

(57) **CLAIM**

I claim the ornamental design for a washing machine, as shown and described.

**DESCRIPTION**

FIG. 1 is a front perspective view of a washing machine of the present invention;

FIG. 2 is a front view thereof;

FIG. 3 is a top view thereof;

FIG. 4 is a bottom view thereof;

FIG. 5 is a right side view thereof;

FIG. 6 is a left side view thereof;

FIG. 7 is a rear view thereof;

FIG. 8 is a front perspective view thereof shown with the front door in an open position;

FIG. 9 is a front view thereof shown with the front door in an open position;

FIG. 10 is an enlarged view of the area marked 10 of FIG. 8; and,

FIG. 11 is a cross-section view taken along the line 11-11 of FIG. 9.

The broken lines shown represent unclaimed subject matter and form no part of the claimed design. Additionally, the unevenly broken lines shown in FIGS. 8 and 9 define the limits of the claimed design.

**1 Claim, 11 Drawing Sheets**

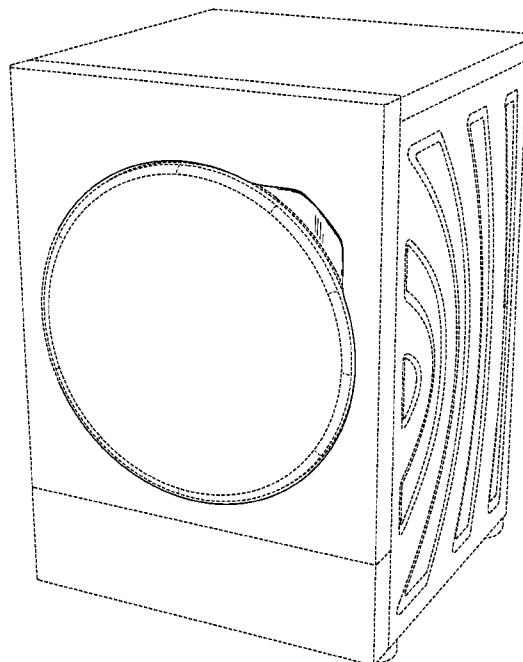


FIG. 1

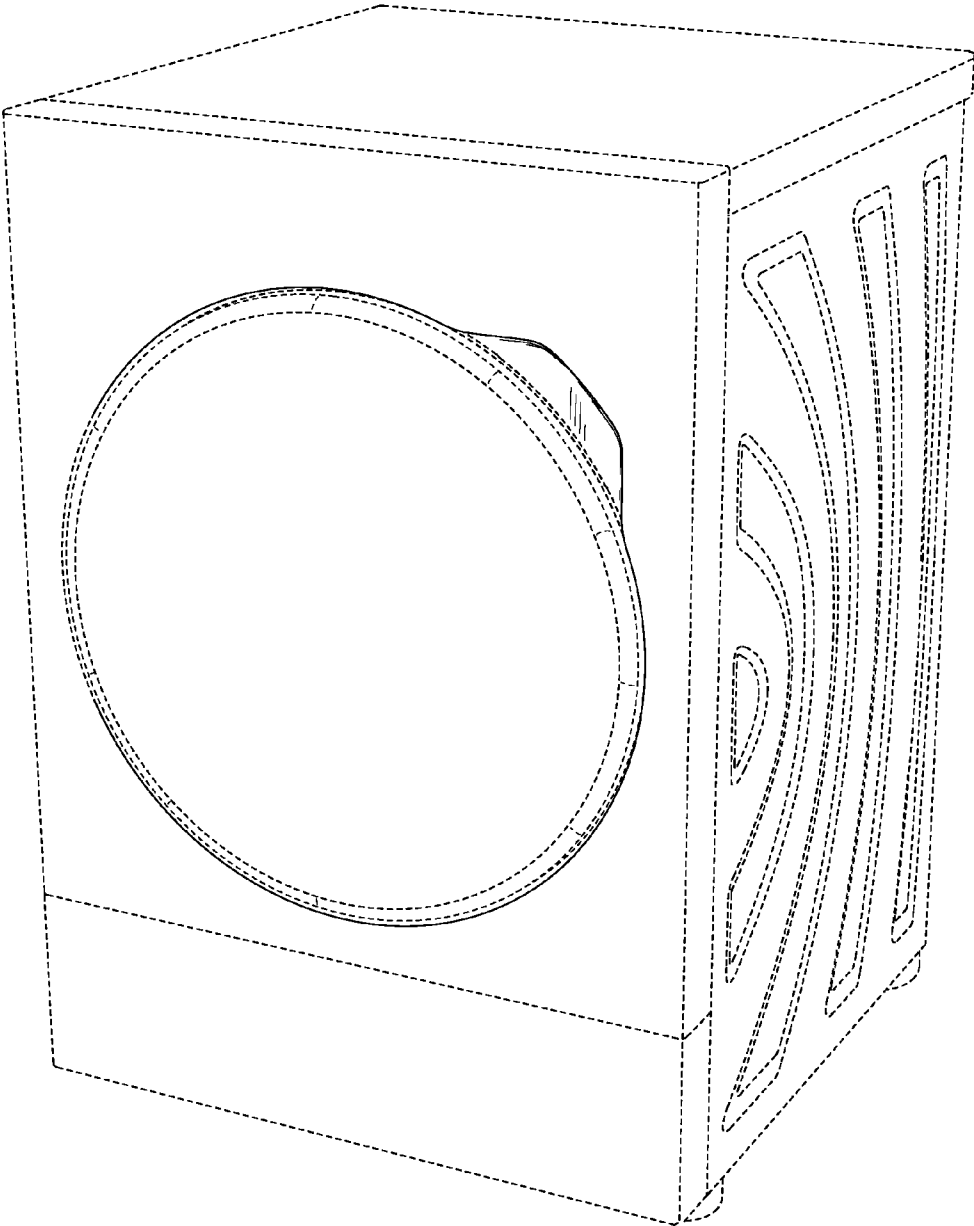


FIG. 2

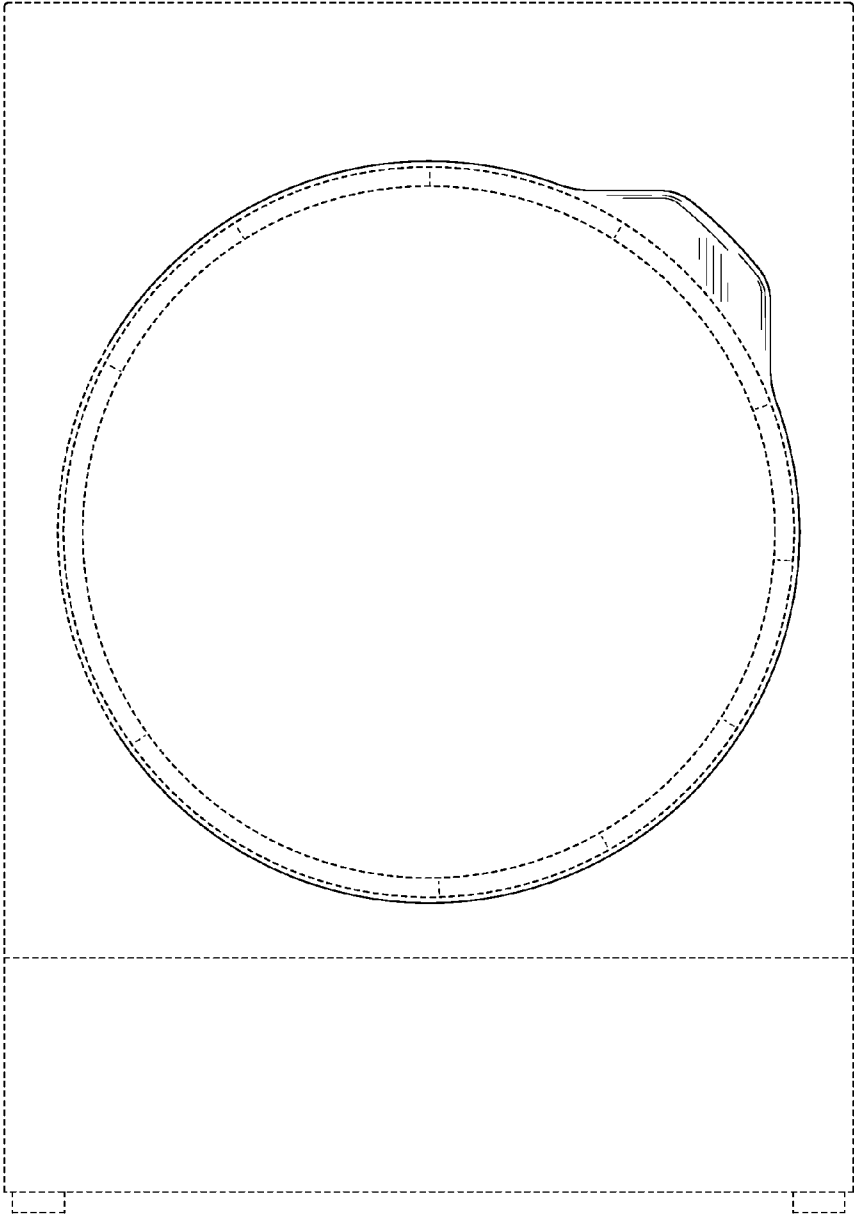


FIG. 3



FIG. 4

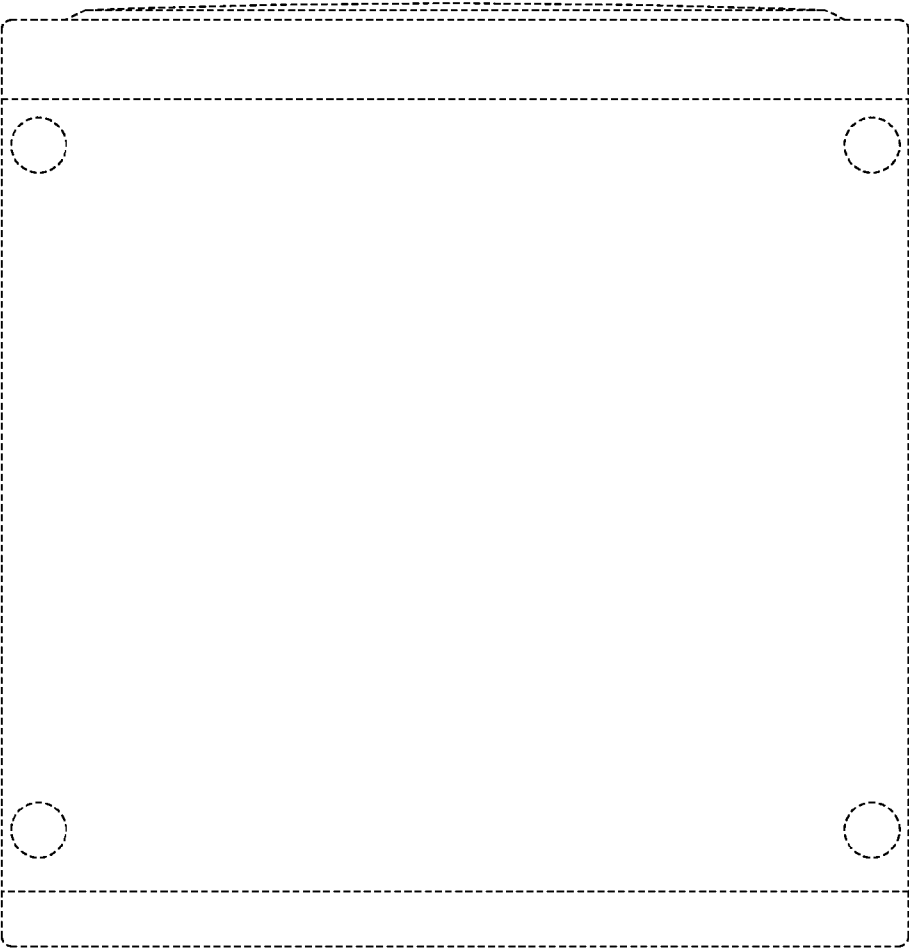


FIG. 5

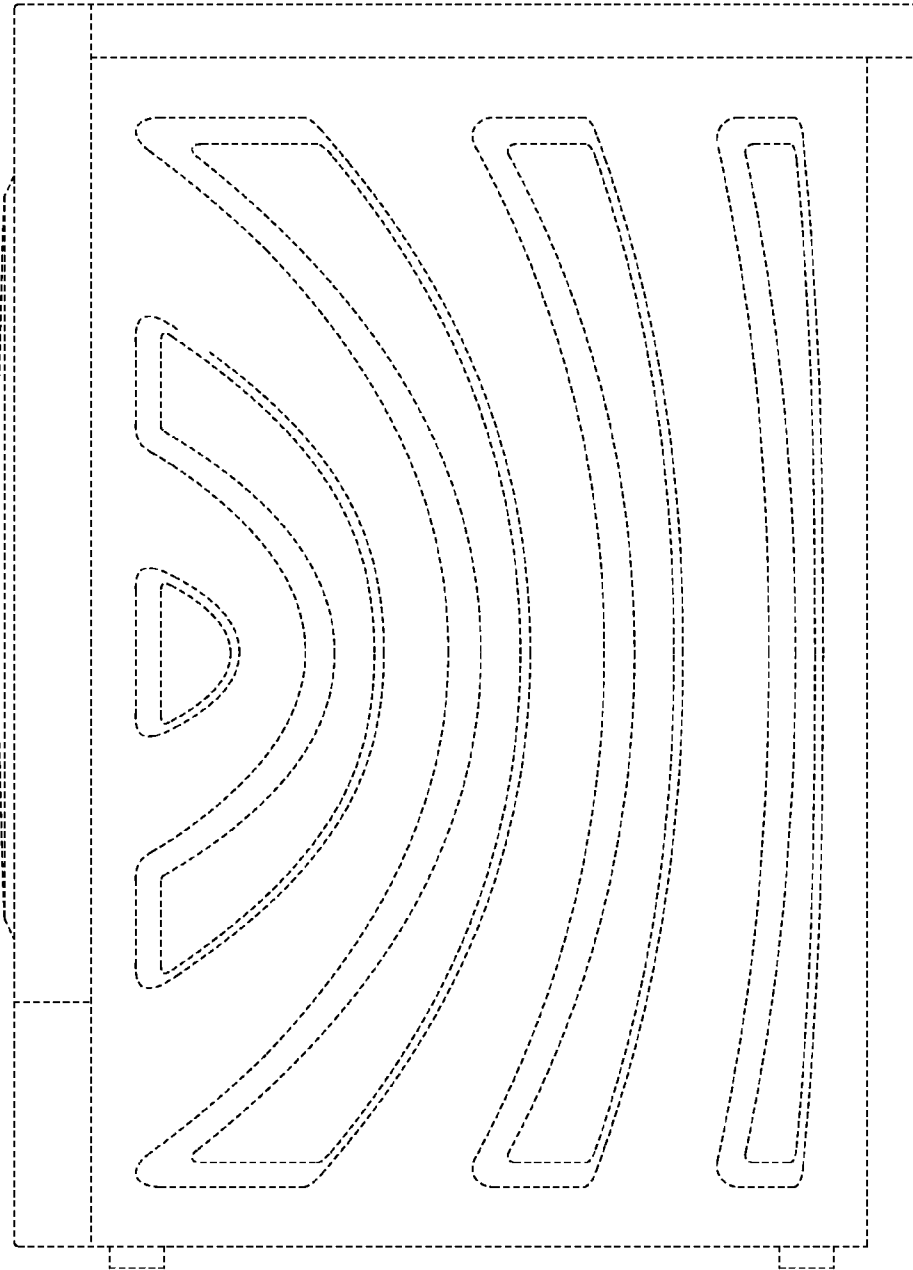


FIG. 6

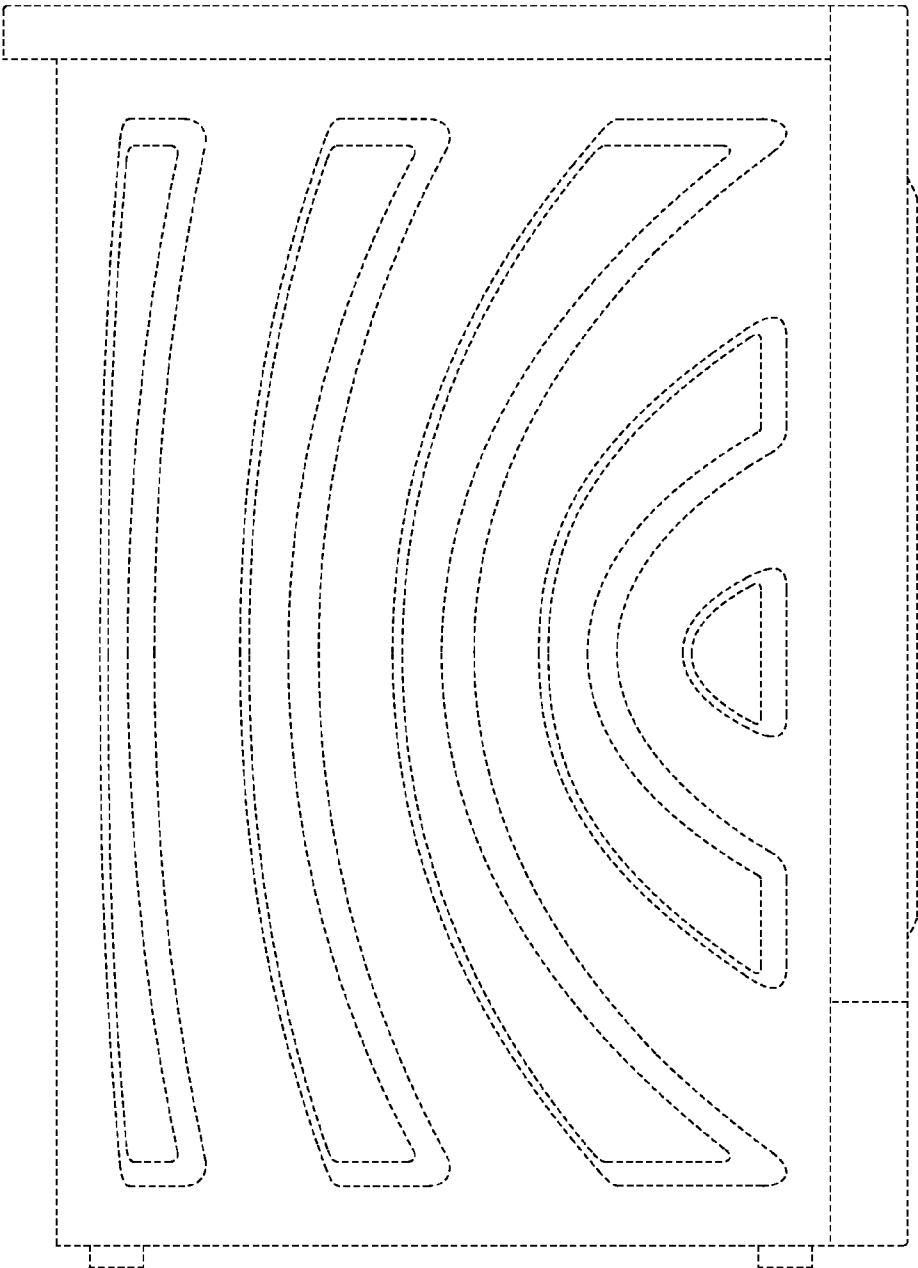
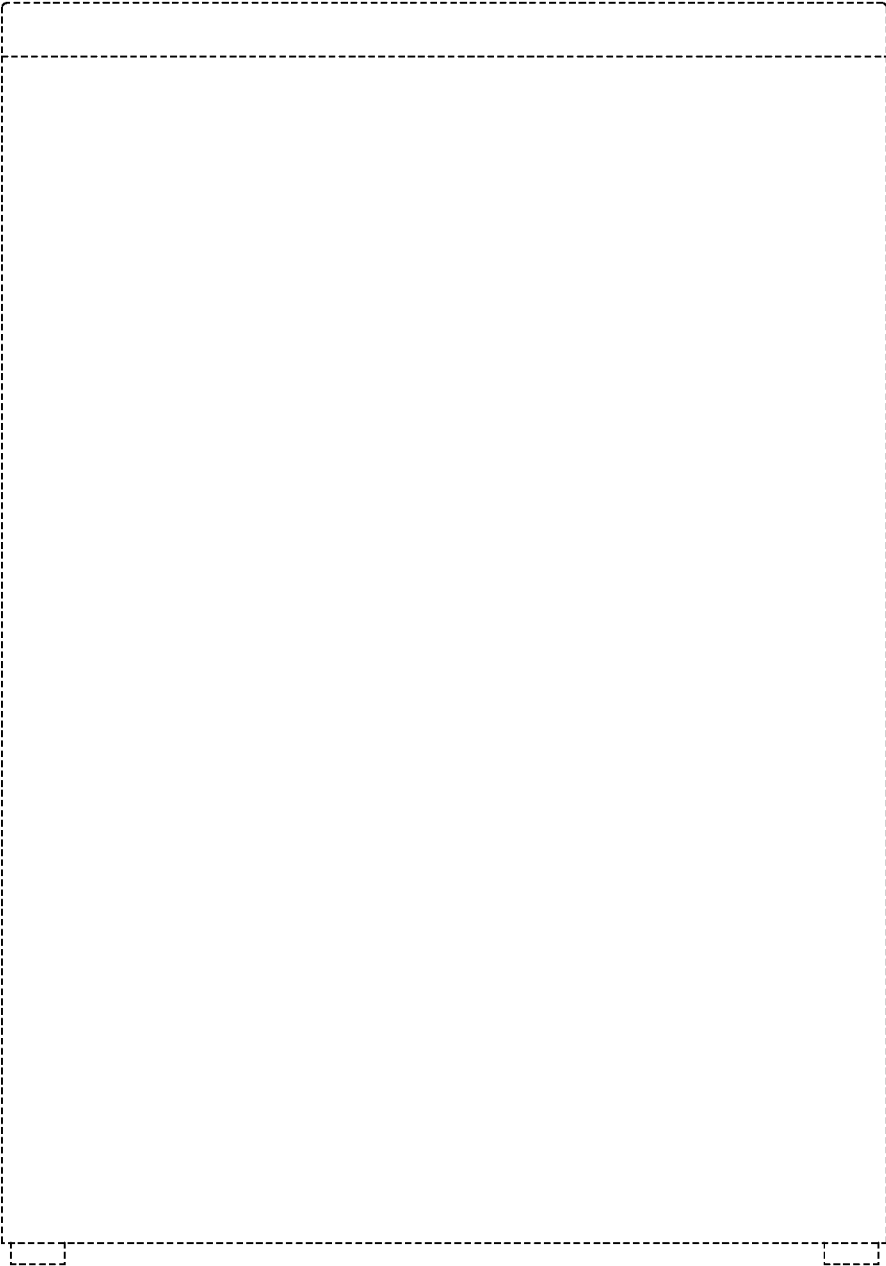


FIG. 7





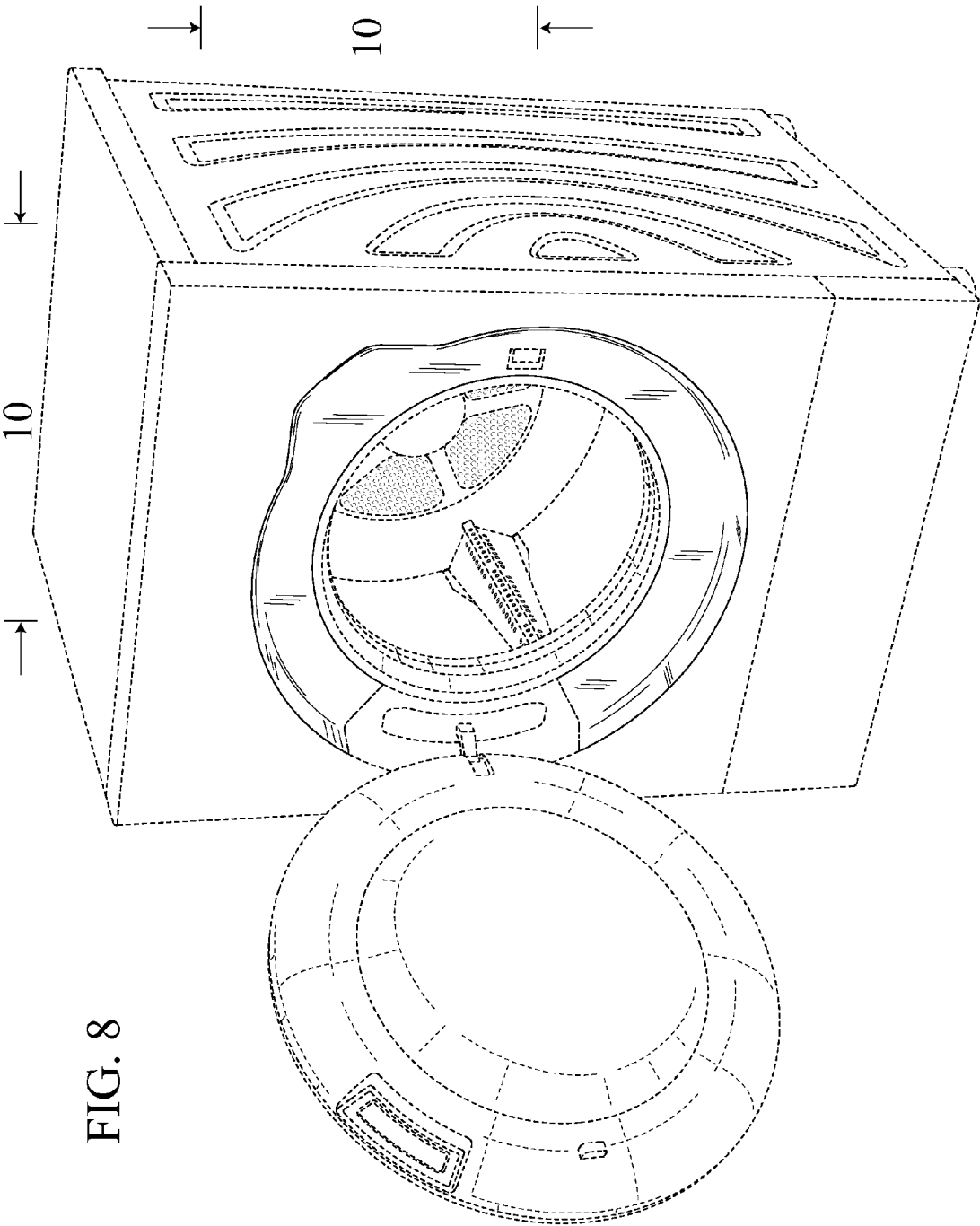


FIG. 8

FIG. 9

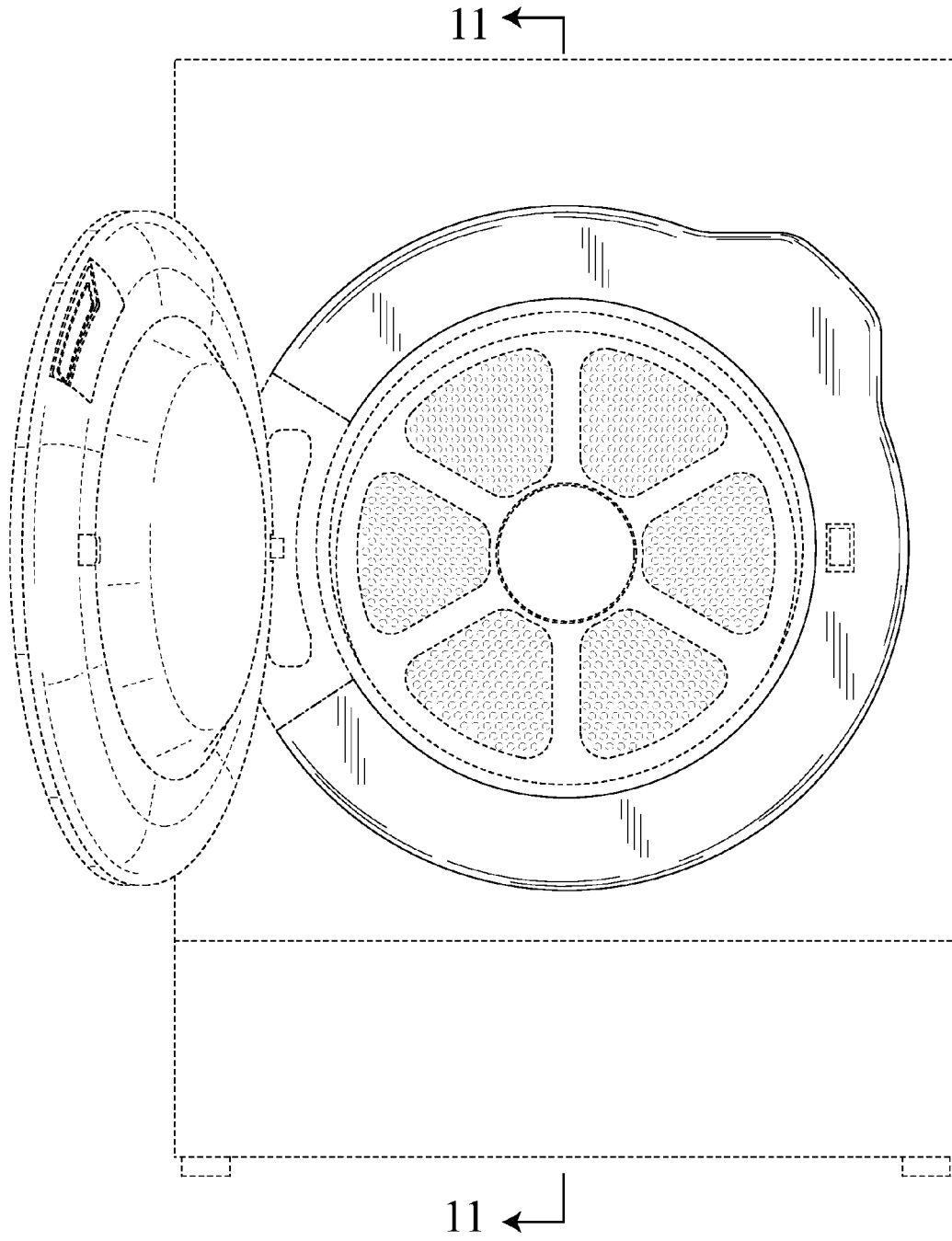


FIG. 10

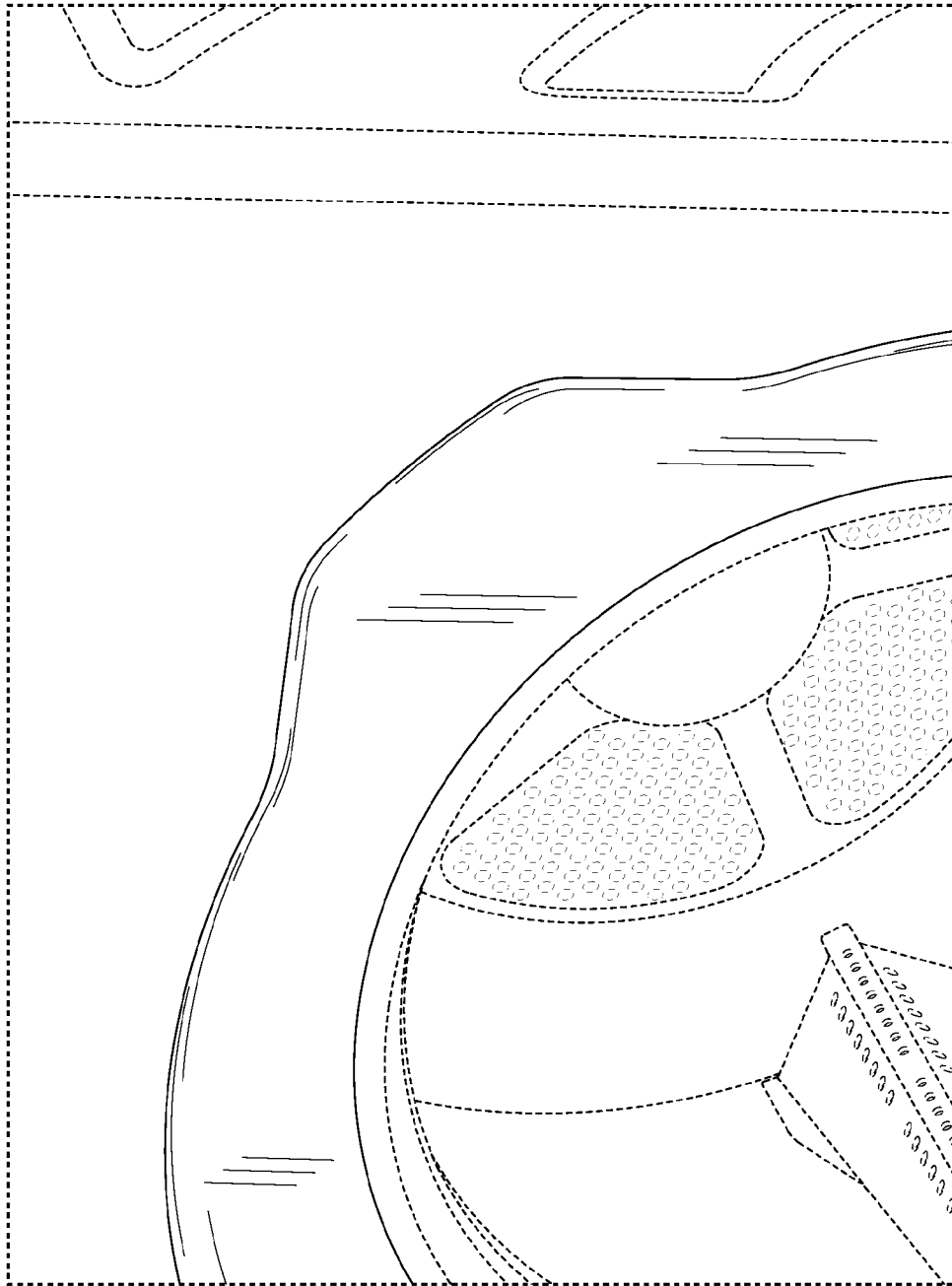


FIG. 11

