



US00D910643S

(12) **United States Design Patent**  
**Li**

(10) **Patent No.:** **US D910,643 S**

(45) **Date of Patent:** **\*\* Feb. 16, 2021**

(54) **TABLET CASE**  
(71) Applicant: **JINCHANNEL IMPORT & EXPORT CO., LTD**, Shenzhen (CN)  
(72) Inventor: **Enqun Li**, Shenzhen (CN)  
(73) Assignee: **JINCHANNEL IMPORT & EXPORT CO., LTD**, Shenzhen (CN)  
(\*\*) Term: **15 Years**  
(21) Appl. No.: **29/744,740**

(22) Filed: **Jul. 31, 2020**  
(51) **LOC (13) Cl.** ..... **14-02**  
(52) **U.S. Cl.**  
USPC ..... **D14/440**  
(58) **Field of Classification Search**  
USPC ..... D14/440, 447, 250; 206/45.23, 320,  
206/45.2; 361/679.55; 294/25; 224/218  
CPC ... G06F 1/1628; G06F 1/1626; A47B 23/044;  
H04B 1/3888  
See application file for complete search history.

(56) **References Cited**  
U.S. PATENT DOCUMENTS  
D752,593 S \* 3/2016 Diebel ..... G06F 1/1679  
D14/440  
D792,884 S 7/2017 Nyholm  
D805,080 S \* 12/2017 Lakraa ..... D14/440  
D808,394 S \* 1/2018 Lakraa ..... D14/440  
D845,305 S 4/2019 Xu  
D857,023 S \* 8/2019 Hyun ..... D14/440  
D883,986 S \* 5/2020 Akana ..... D14/440  
D896,233 S \* 9/2020 Chen ..... D14/440  
10,763,910 B2 \* 9/2020 Nyholm ..... H04M 1/0202  
D900,114 S \* 10/2020 Tang ..... D14/440  
2008/0167095 A1 \* 7/2008 Kim ..... H04M 1/0216  
455/575.3

2009/0159763 A1\* 6/2009 Kim ..... F16M 13/00  
248/174  
2009/0194209 A1\* 8/2009 De Filippis ..... A45C 11/00  
150/107  
2011/0227463 A1\* 9/2011 Hou ..... A47B 23/043  
312/223.1  
2012/0268891 A1\* 10/2012 Cencioni ..... G06F 1/1626  
361/679.55  
2013/0088431 A1\* 4/2013 Ballagas ..... G06F 1/1626  
345/168  
2013/0214661 A1\* 8/2013 McBroom ..... G06F 1/162  
312/325  
2013/0223005 A1\* 8/2013 Smith ..... G06F 1/1628  
361/679.55

(Continued)

Primary Examiner — Cynthia R Underwood

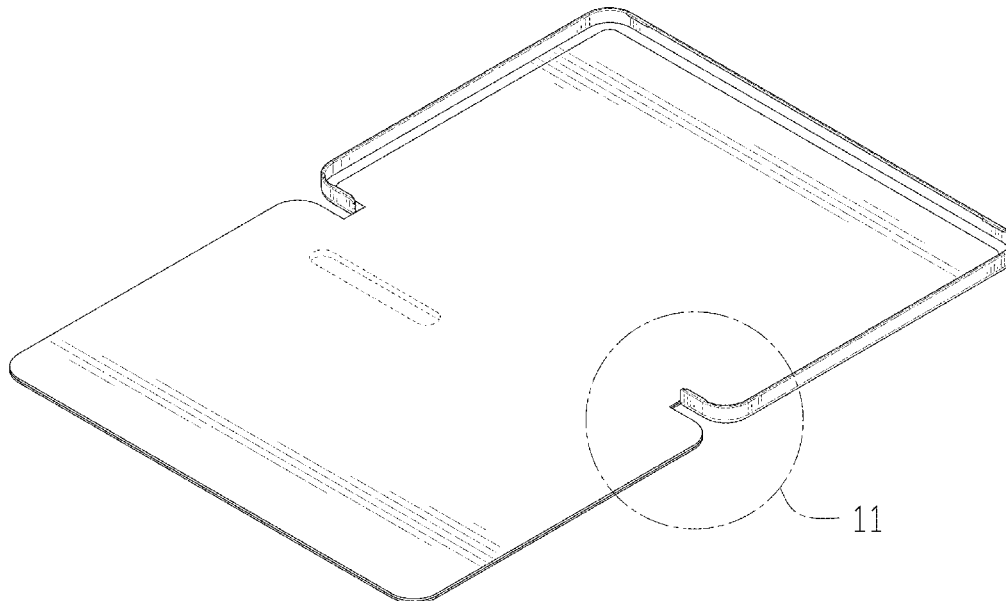
(57) **CLAIM**

The ornamental design for a tablet case, as shown and described.

**DESCRIPTION**

FIG. 1 is a perspective view of a tablet case showing my new design;  
FIG. 2 is another perspective view thereof;  
FIG. 3 is a front elevational view thereof;  
FIG. 4 is a rear elevational view thereof;  
FIG. 5 is a left side elevational view thereof;  
FIG. 6 is a right side elevational view thereof;  
FIG. 7 is a top plan view thereof;  
FIG. 8 is a bottom plan view thereof;  
FIG. 9 is a perspective view of a tablet case showing my new design where the tablet case is in a first configuration of use;  
FIG. 10 is a perspective view of the tablet case where the tablet case is in a second configuration of use; and,  
FIG. 11 is an enlarged view of portion 11 shown in FIG. 1. The broken lines in the drawings depict portions of the tablet case that form no part of the claimed design.

**1 Claim, 11 Drawing Sheets**



(56)

**References Cited**

U.S. PATENT DOCUMENTS

2013/0233762 A1\* 9/2013 Balaji ..... B65D 25/00  
206/736  
2013/0241381 A1\* 9/2013 Hyncek ..... H05K 5/0217  
312/240  
2014/0246340 A1\* 9/2014 Jiang ..... A45C 11/00  
206/45.23  
2015/0065208 A1\* 3/2015 Balaji ..... H04M 1/04  
455/575.8  
2015/0151887 A1\* 6/2015 Huang ..... A45C 11/00  
224/191  
2015/0237979 A1\* 8/2015 Huang ..... A45C 11/00  
206/45.25  
2015/0263776 A1\* 9/2015 Shyu ..... A45C 13/002  
455/575.8  
2015/0266610 A1\* 9/2015 Melmon ..... B65D 5/5206  
206/45.23  
2015/0280768 A1\* 10/2015 Huang ..... H04B 1/3888  
455/575.8  
2016/0018854 A1\* 1/2016 Yu ..... G06F 1/1632  
361/679.08

\* cited by examiner

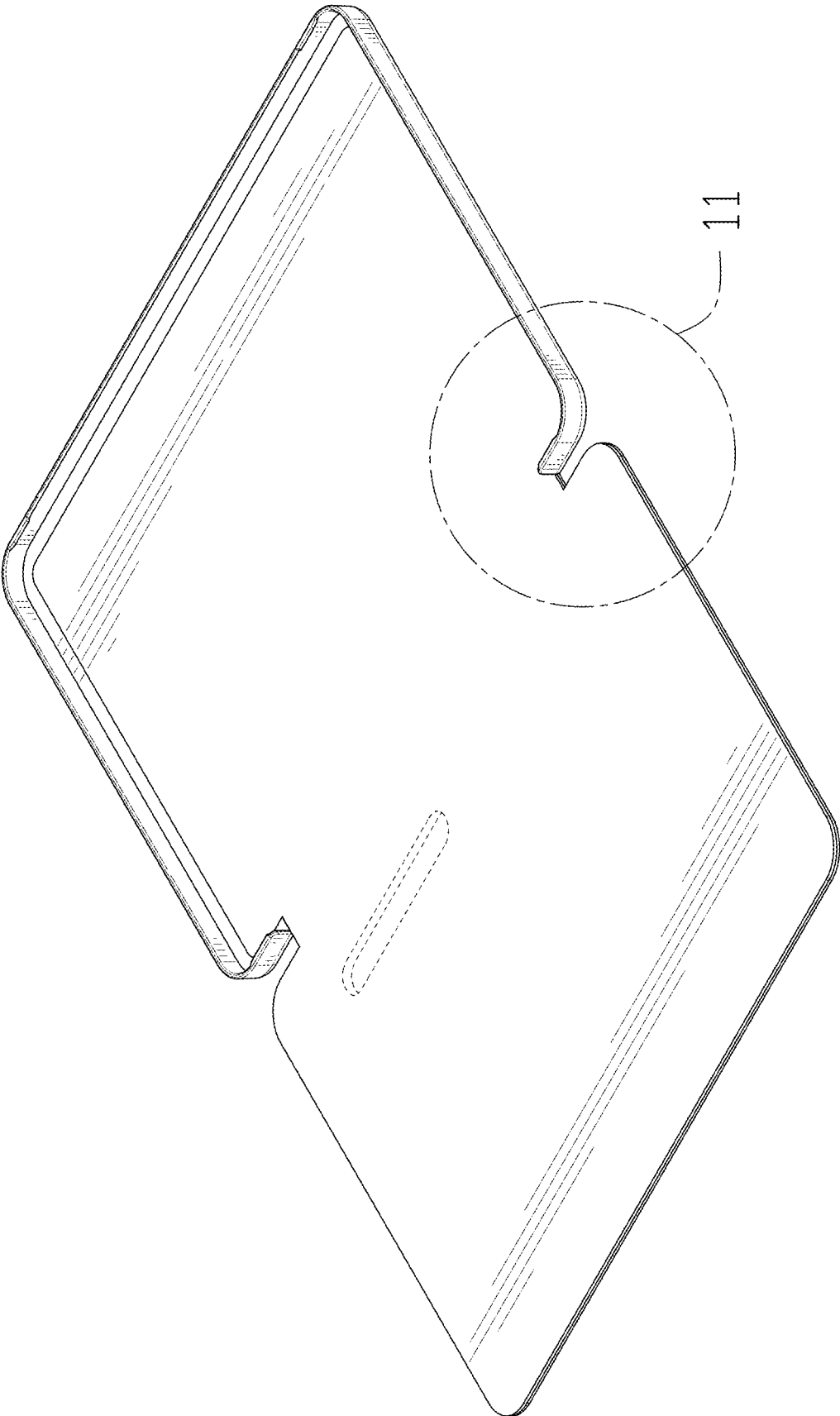


FIG. 1

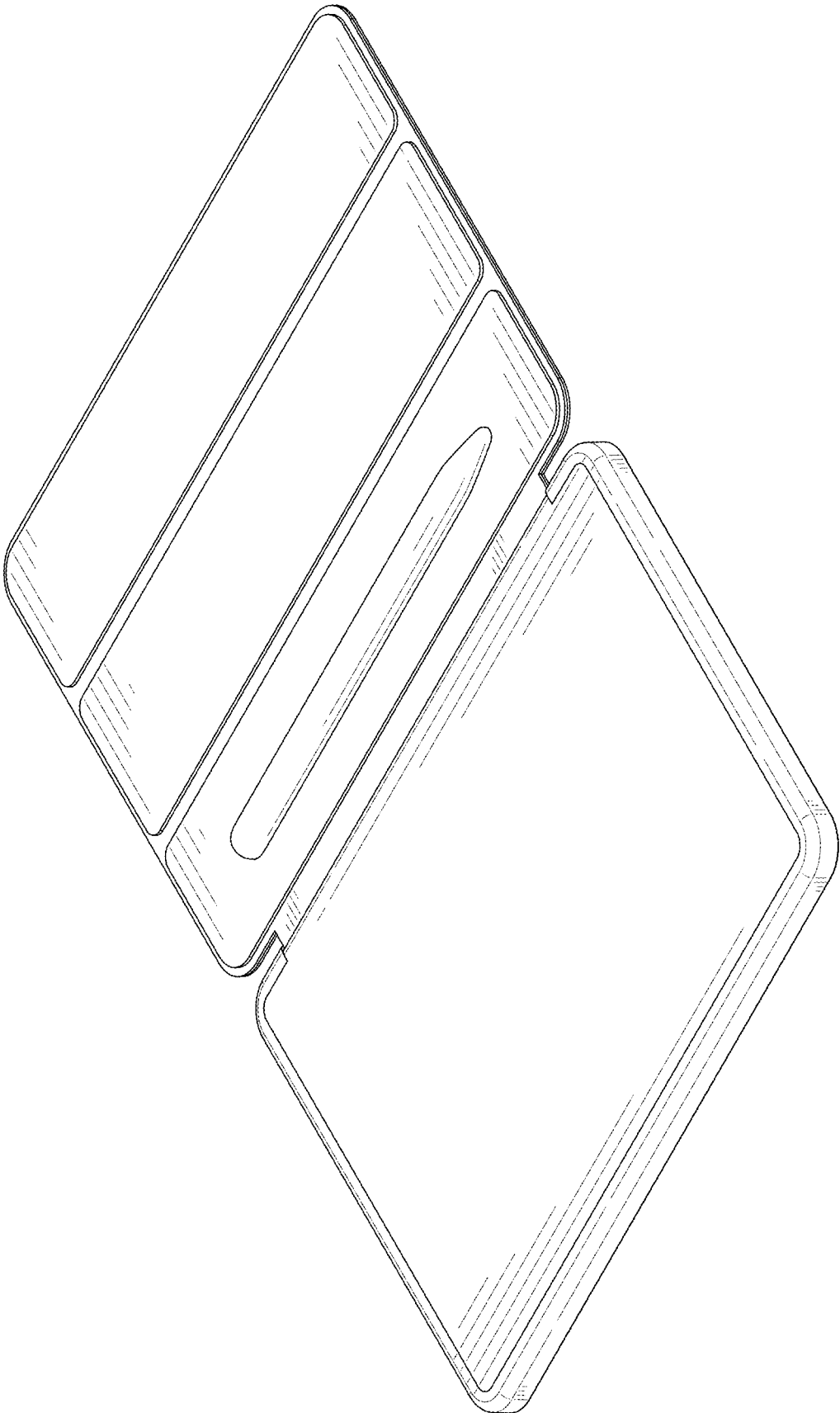


FIG. 2

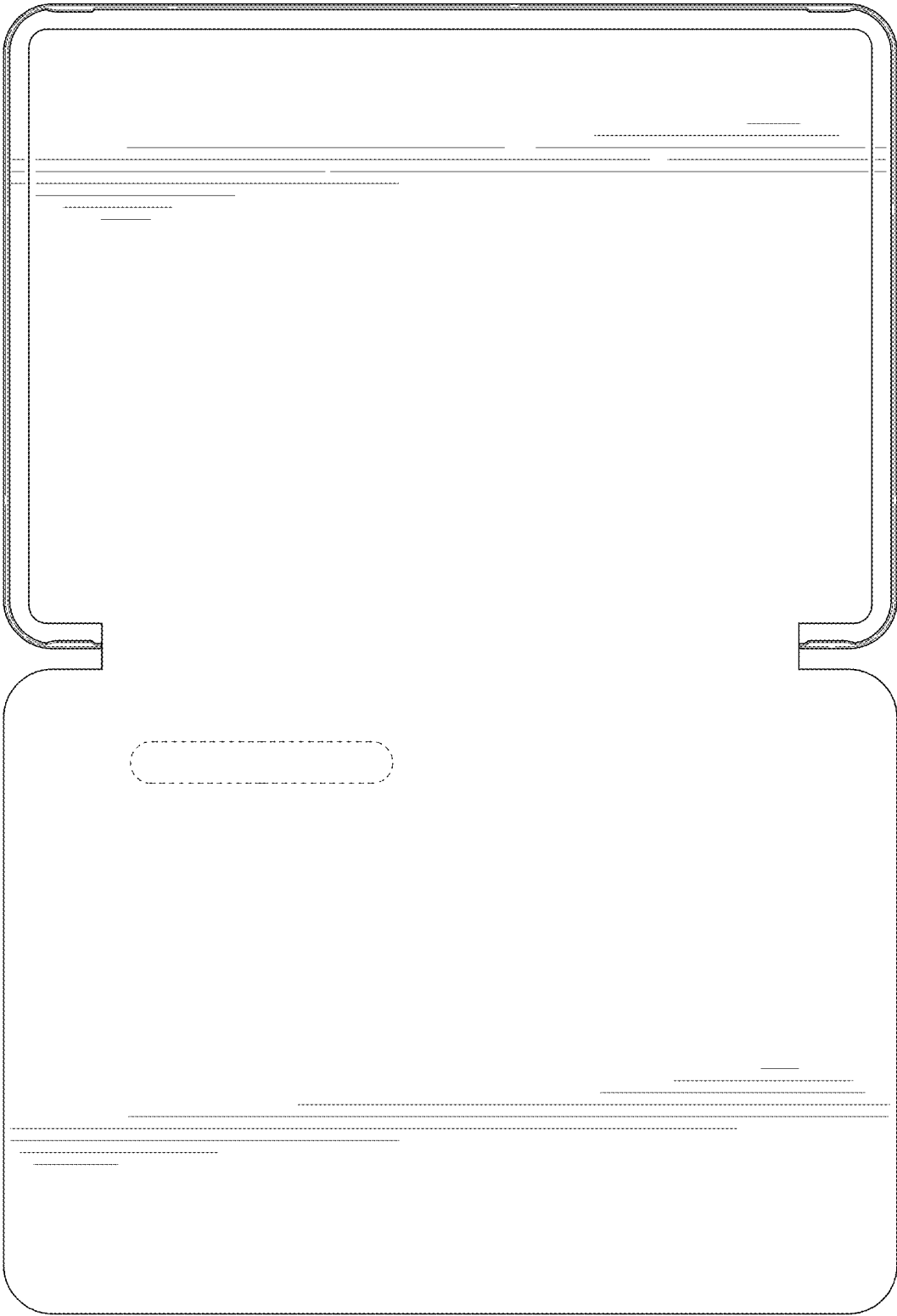


FIG. 3

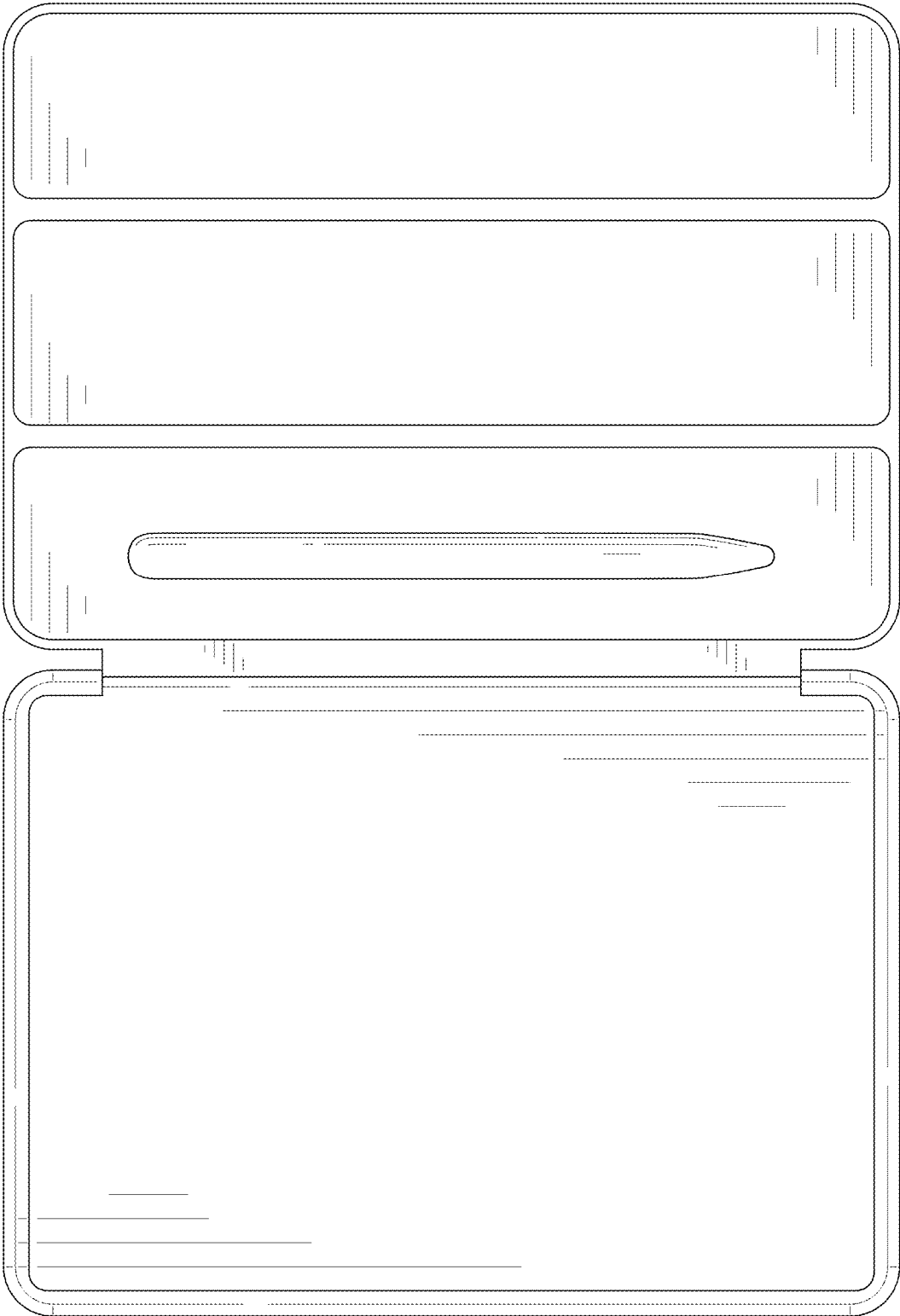


FIG. 4

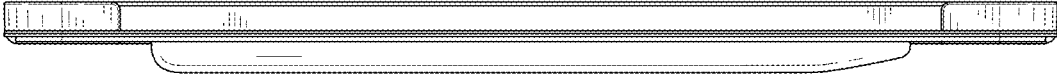


FIG. 5

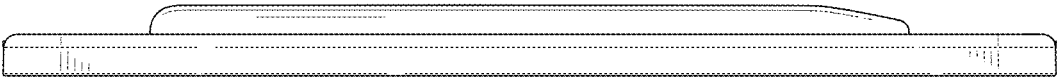


FIG. 6



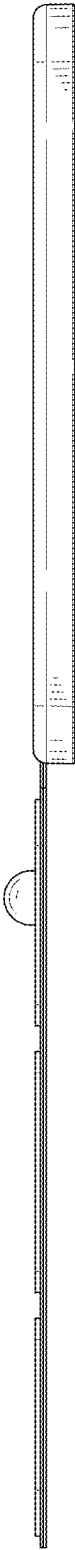


FIG. 7

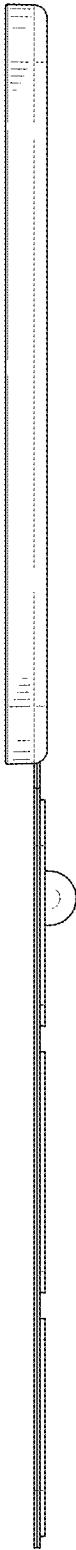


FIG. 8

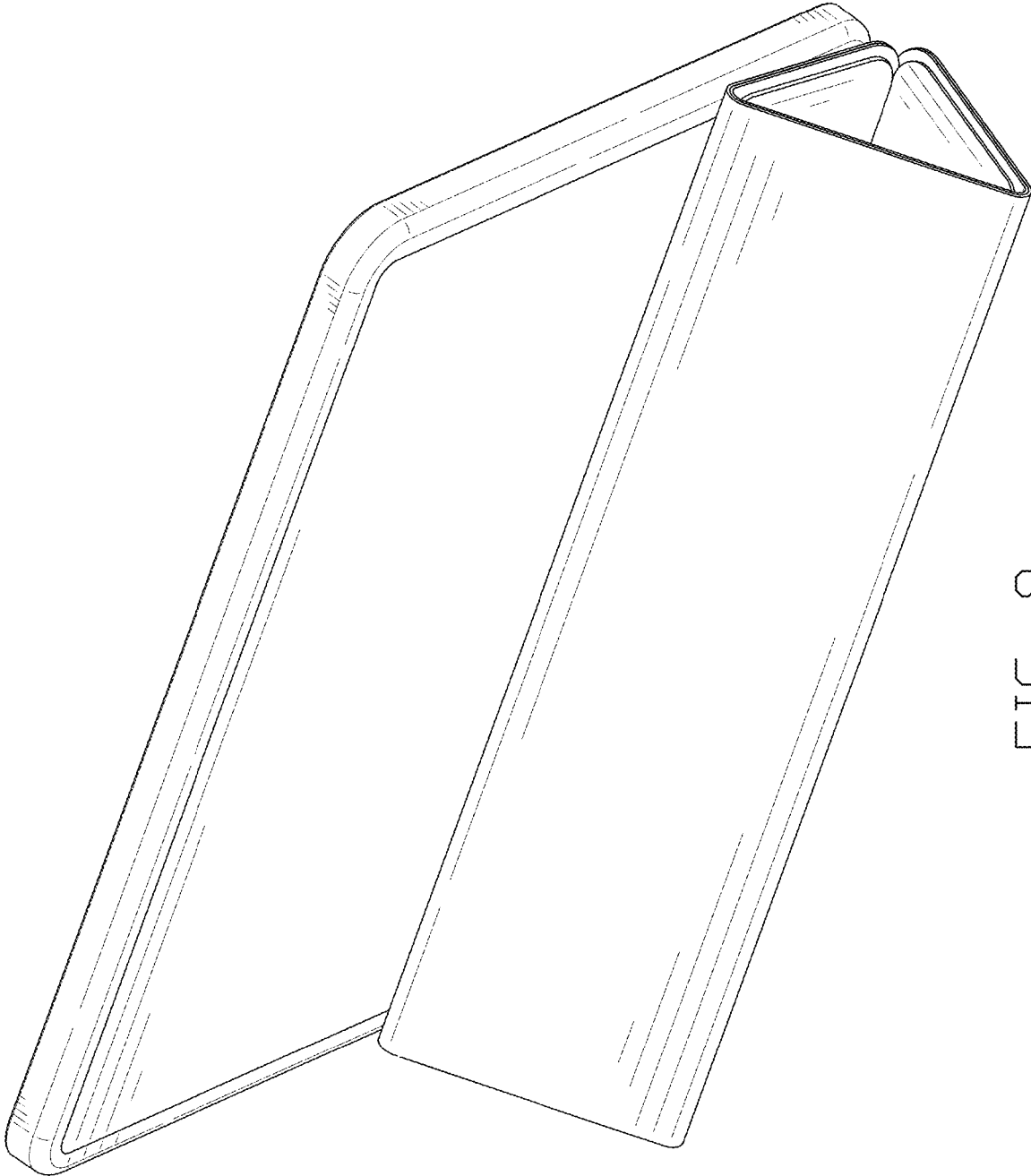


FIG. 9

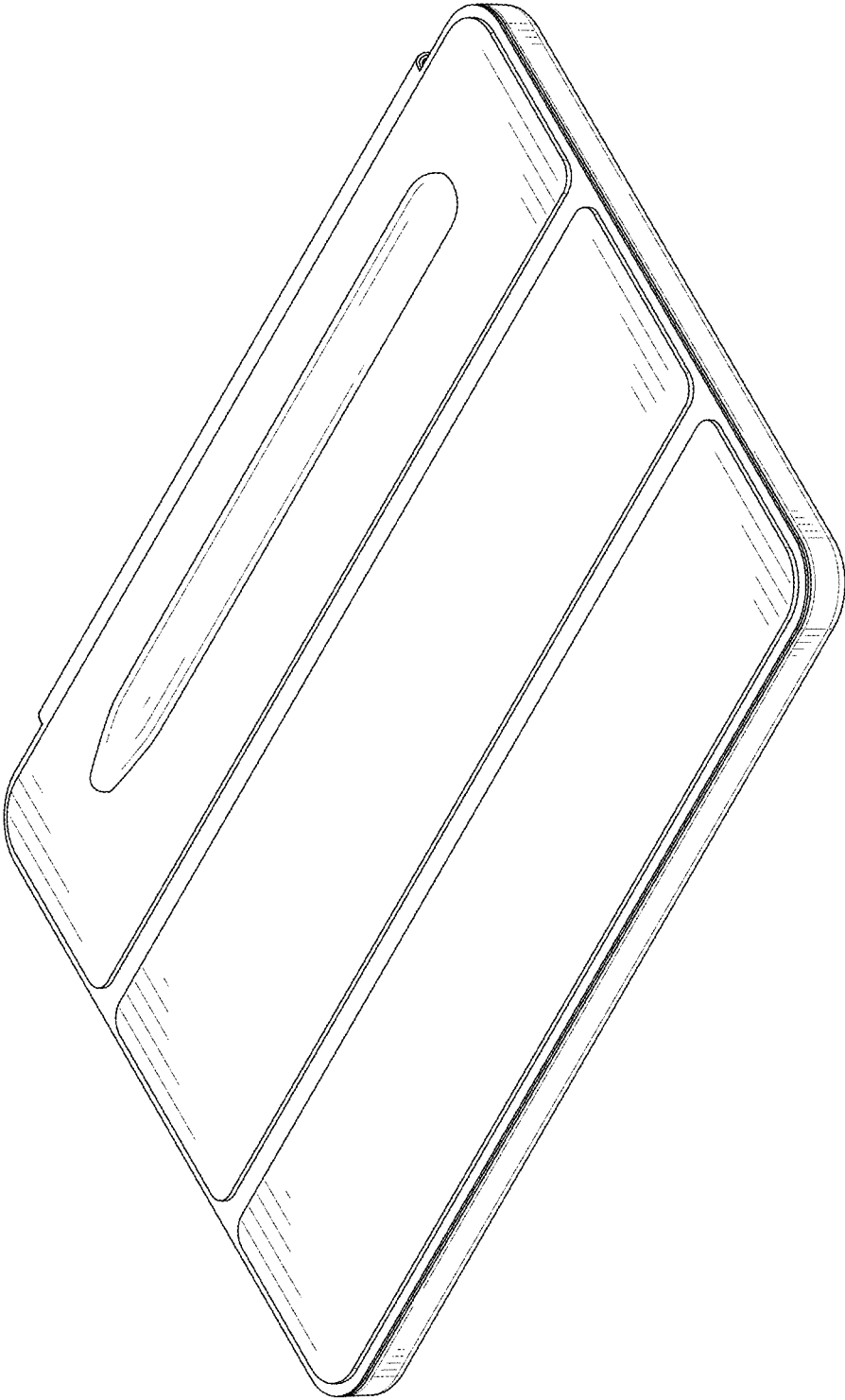


FIG. 10

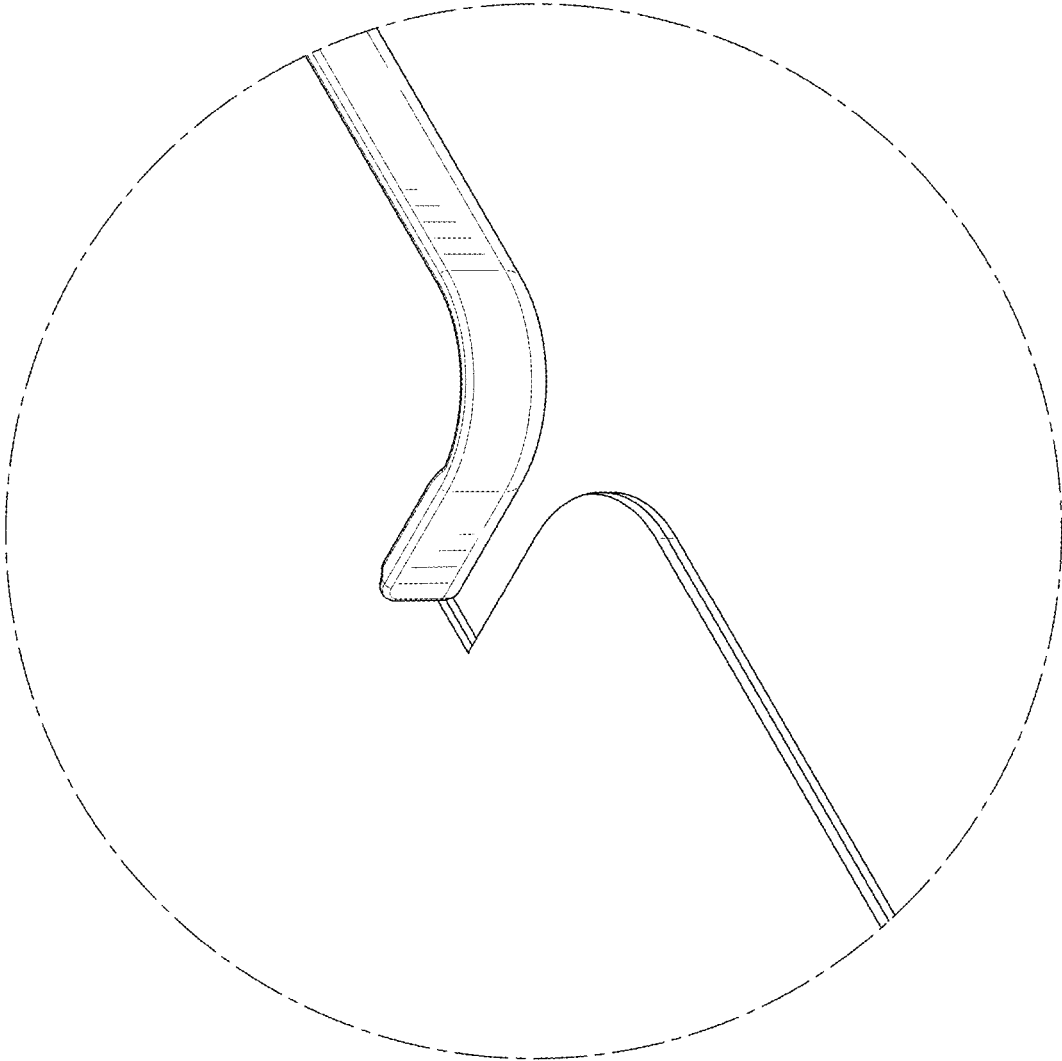


FIG. 11